

CANDY

Instruction Manual For Induction Hob

ENGLISH

Manuale di istruzioni per piano di cottura ad induzione

ITALIANO

Manuel d'utilisation pour plaque à induction

FRANCAIS

Manual de instrucciones de la encimera de inducción

ESPAÑOL

Manual de instruções para placa de indução

PORTUGUÊS

Επαγωγική Εστία

Οδηγίες Χρήσης / Οδηγίες Εγκατάστασης

GREECE

Návod k použití pro indukční varnou desku

CECK

Instrukcja użytkowania indukcyjnej płyty
grzejnej

POLISH

Gebruiksaanwijzing voor Inductiekookplaat

NEDERLANDS

Индукционен плот

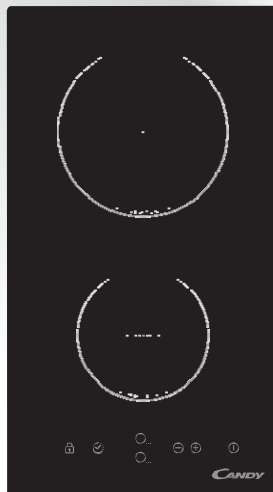
Инструкции за Експлоатация / Монтаж

BULGARIA

Руководство по эксплуатации индукционной
варочной панели

RUSSIAN

CDI 30



Thank you for purchasing the CANDY induction hob. Please read this instruction manual carefully before using the hob and keep it in a safe place for future reference.

By placing the CE **CE** marking on this product, we declare, on our own responsibility, compliance to all the European safety, health and environmental requirements stated in the legislation for this product.

Safety Warnings

Your safety is important to us. Please read this information before using your hob.

Installation

Electrical Shock Hazard

- Disconnect the appliance from the mains electricity supply before carrying out any work or maintenance on it.
- Connection to a good earth wiring system is essential and mandatory.
- Alterations to the domestic wiring system must only be made by a qualified electrician.
- Failure to follow this advice may result in electrical shock or death.

Cut Hazard

- Take care - panel edges are sharp.
- Failure to use caution could result in injury or cuts.

Important safety instructions

- Read these instructions carefully before installing or using this appliance.
- No combustible material or products should be placed on this appliance at any time.
- Please make this information available to the person responsible for installing the appliance as it could reduce your installation costs.
- In order to avoid a hazard, this appliance must be installed according to these instructions for installation.
- This appliance is to be properly installed and earthed only by a suitably qualified person.
- This appliance should be connected to a circuit which incorporates an isolating switch providing full disconnection from the power supply.
- Failure to install the appliance correctly could invalidate any warranty or liability claims.

Operation and maintenance

Electrical Shock Hazard

- Do not cook on a broken or cracked hob surface. If the hob should break or crack, switch the appliance off immediately at the mains power supply (wall switch) and contact a qualified technician.

- Switch the hob off at the wall before cleaning or maintenance.
- Failure to follow this advice may result in electrical shock or death.

Health Hazard

- This appliance complies with electromagnetic safety standards.
- However, persons with cardiac pacemakers or other electrical implants (such as insulin pumps) must consult with their doctor or implant manufacturer before using this appliance to make sure that their implants will not be affected by the electromagnetic field.
- Failure to follow this advice may result in death.

Hot Surface Hazard

- During use, accessible parts of this appliance will become hot enough to cause burns.
- Do not let your body, clothing or any item other than suitable cookware contact the Induction glass until the surface is cool.
- Beware: magnetisable metal objects worn on the body may become hot in the vicinity of the cooktop. Gold or silver jewellery will not be affected.
- Keep children away.
- Handles of saucepans may be hot to touch. Check saucepan handles do not overhang other cooking zones that are on. Keep handles out of reach of children.
- Failure to follow this advice could result in burns and scalds.

Cut Hazard

- The razor-sharp blade of a hob surface scraper is exposed when the safety cover is retracted. Use with extreme care and always store safely and out of reach of children.
- Failure to use caution could result in injury or cuts.

Important safety instructions

- Never leave the appliance unattended when in use. Boilover causes smoking and greasy spillovers that may ignite.
- Never use your appliance as a work or storage surface.
- Never leave any objects or utensils on the appliance.
- Do not place or leave any magnetisable objects (e.g. credit cards, memory cards) or electronic devices (e.g. computers, MP3 players) near the appliance, as they may be affected by its electromagnetic field.
- Never use your appliance for warming or heating the room.
- After use, always turn off the cooking zones and the hob as described in this manual (i.e. by using the touch controls). Do not rely on the pan detection feature to turn off the cooking zones when you remove the pans.

- Do not allow children to play with the appliance or sit, stand, or climb on it.
- Do not store items of interest to children in cabinets above the appliance. Children climbing on the cooktop could be seriously injured.
- Do not leave children alone or unattended in the area where the appliance is in use.
- Children or persons with a disability which limits their ability to use the appliance should have a responsible and competent person to instruct them in its use. The instructor should be satisfied that they can use the appliance without danger to themselves or their surroundings.
- Do not repair or replace any part of the appliance unless specifically recommended in the manual. All other servicing should be done by a qualified technician.
- Do not use a steam cleaner to clean your hob.
- Do not place or drop heavy objects on your hob.
- Do not stand on your hob top.
- Do not use pans with jagged edges or drag pans across the Induction glass surface as this can scratch the glass.
- Do not use scourers or any other harsh abrasive cleaning agents to clean your cooktop, as these can scratch the Induction glass.
- If the power supply cable is damaged, it must only be replaced by a qualified technician.
- This appliance is designed for domestic use only.
- This appliance can be used by children aged from 8 years and above and persons with reduced physical, sensory or mental capabilities or lack of experience and knowledge if they have been given supervision or instruction concerning use of the appliance in a safe way and understand the hazards involved. Children shall not play with the appliance. Cleaning and user maintenance shall not be made by children without supervision.
- **WARNING:** Unattended cooking on a hob with fat or oil can be dangerous and may result in fire. NEVER try to extinguish a fire with water, but switch off the appliance and then cover flame e.g. with a lid or a fire blanket.
- Metallic objects such as knives, forks, spoons and lids should not be placed on the hob surface since they can get hot.
- After use, switch off the hob element by its control and do not rely on the pan detector.
- The appliance is not intended to be operated by means of an external timer or separate remote-control system.

Congratulations on the purchase of your new Induction Hob.

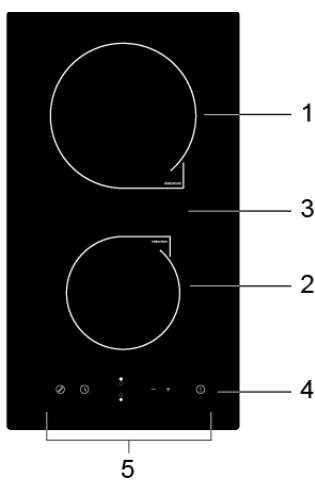
We recommend that you spend some time to read this Instruction / Installation Manual in order to fully understand how to install correctly and operate it.

For installation, please read the installation section.

Read all the safety instructions carefully before use and keep this Instruction / Installation Manual for future reference.

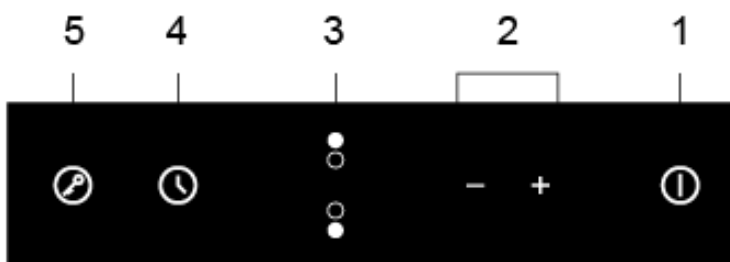
Product Overview

Top View



1. max. 2000 W zone
2. max. 1500 W zone
3. Glass plate
4. ON/OFF control
5. Control panel

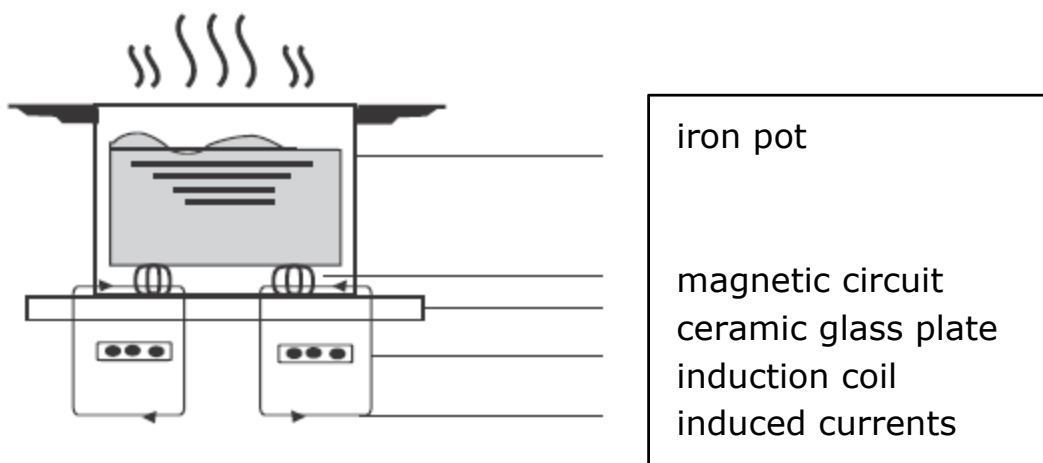
Control Panel



1. ON/OFF control
2. Power / Timer regulating controls
3. Heating zone selection controls
4. Timer control
5. keylock control

A Word on Induction Cooking

Induction cooking is a safe, advanced, efficient, and economical cooking technology. It works by electromagnetic vibrations generating heat directly in the pan, rather than indirectly through heating the glass surface. The glass becomes hot only because the pan eventually warms it up.

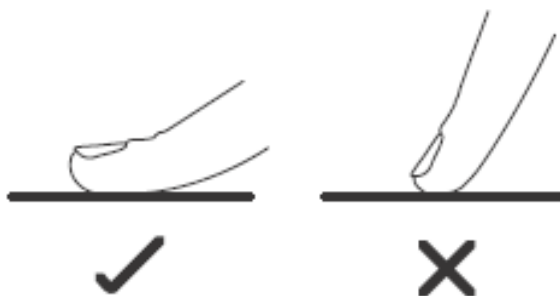


Before using your New Induction Hob

- Read this guide, taking special note of the "Safety Warnings" section.
- Remove any protective film that may still be on your Induction hob.


Using the Touch Controls

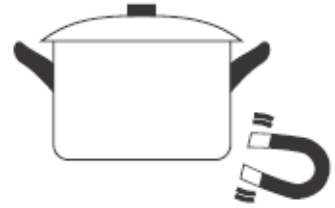
- The controls respond to touch, so you don't need to apply any pressure.
- Use the ball of your finger, not its tip.
- You will hear a beep each time a touch is registered.
- Make sure the controls are always clean, dry, and that there is no object (e.g. a utensil or a cloth) covering them. Even a thin film of water may make the controls difficult to operate.



Choosing the right Cookware



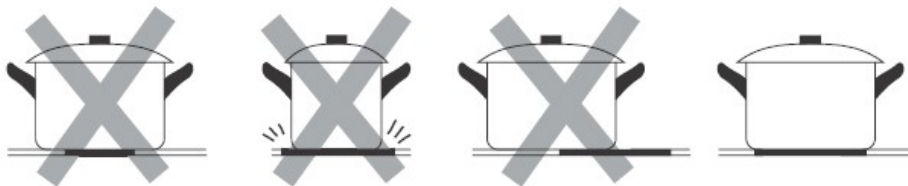
- Only use cookware with a base suitable for induction cooking. Look for the induction symbol on the packaging or on the bottom of the pan.
- You can check whether your cookware is suitable by carrying out a magnet test. Move a magnet towards the base of the pan. If it is attracted, the pan is suitable for induction.
- If you do not have a magnet:
 1. Put some water in the pan you want to check.
 2. If  does not flash in the display and the water is heating, the pan is suitable.
- Cookware made from the following materials is not suitable: pure stainless steel, aluminium or copper without a magnetic base, glass, wood, porcelain, ceramic, and earthenware.



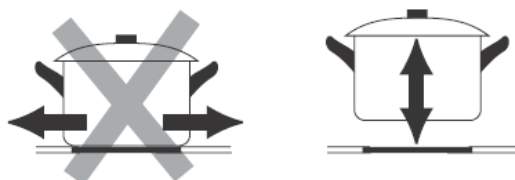
Do not use cookware with jagged edges or a curved base.



Make sure that the base of your pan is smooth, sits flat against the glass, and is the same size as the cooking zone. Use pans whose diameter is as large as the graphic of the zone selected. Using a pot a slightly wider energy will be used at its maximum efficiency. If you use smaller pot efficiency could be less than expected. Pot less than 140 mm could be undetected by the hob. Always centre your pan on the cooking zone.



Always lift pans off the Induction hob – do not slide, or they may scratch the glass.

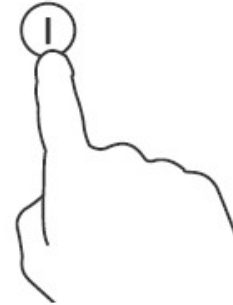


Using your Induction Hob

To start cooking

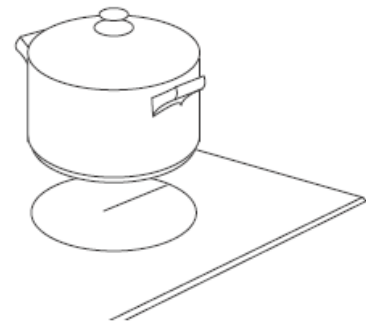
1. Touch the ON/OFF control.

After power on, the buzzer beeps once, all displays show “ - ” or “ - - ”, indicating that the induction hob has entered the state of standby mode.



2. Place a suitable pan on the cooking zone that you wish to use.

- Make sure the bottom of the pan and the surface of the cooking zone are clean and dry.

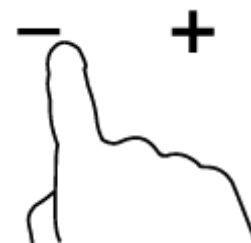


3. Touching the heating zone selection control and a indicator upon the key will flash.



4. Select a heat setting by touching the “-” or “+” control.

- If you don't choose a heat setting within 1 minute, the Induction hob will automatically switch off. You will need to start again at step 1.



- You can modify the heat setting at any time during cooking.

If the display flashes alternately with the heat setting

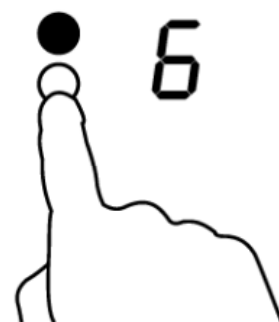
This means that:

- you have not placed a pan on the correct cooking zone or,
- the pan you're using is not suitable for induction cooking or,
- the pan is too small or not properly centered on the cooking zone.

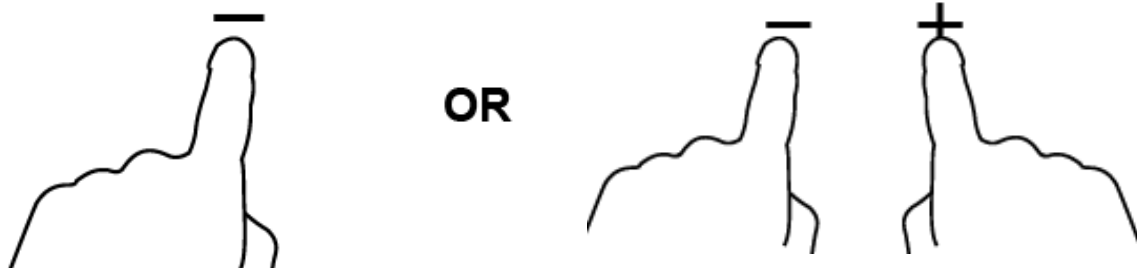
No heating takes place unless there is a suitable pan on the cooking zone. The display will automatically turn off after 2 minutes if no suitable pan is placed on it.

When you have finished cooking

1. Touching the heating zone selection control that you wish to switch off.



2. Turn the cooking zone off by scrolling down to "0" or touching "-" and "+" control together. Make sure the display shows "0".



3. Turn the whole cooktop off by touching the ON/OFF control.



4. Beware of hot surfaces

H will show which cooking zone is hot to touch. It will disappear when the surface has cooled down to a safe temperature. It can also be used as an energy saving function if you want to heat further pans, use the hotplate that is still hot.



Locking the Controls

- You can lock the controls to prevent unintended use (for example children accidentally turning the cooking zones on).
- When the controls are locked, all the controls except the ON/OFF control are disabled.

To lock the controls

Touch the keylock control. The timer indicator will show " Lo "

To unlock the controls

1. Touch and hold the keylock control for a while.
2. You can now start using your Induction hob.



When the hob is in the lock mode, all the controls are disabled except the ON/OFF, you can always turn the induction hob off with the ON/OFF control in an emergency, but you shall unlock the hob first in the next operation.

Over-Temperature Protection

A temperature sensor equipped can monitor the temperature inside the Induction hob. When an excessive temperature is monitored, the Induction hob stops operation automatically.

Detection of Small Articles

When an unsuitable size or non-magnetic pan (e.g. aluminium), or some other small item (e.g. knife, fork, key) has been left on the hob, the zone automatically goes on to standby in 1 minute. The fan will keep cooling down the induction hob for a further 1 minute.

Auto Shutdown Protection

Auto shut down is a safety protection function for your induction hob. It shuts down automatically if ever you forget to turn off your cooking. The default working times for various power levels are shown in the below table:

Power level	1	2	3	4	5	6	7	8	9
Default working timer (hour)	8	8	8	4	4	4	2	2	2

When the pot is removed, the induction hob stops heating immediately and the hob automatically switch off after 2 minutes.



People with a heart pace maker should consult with their doctor before using this unit.

Using the Timer

You can use the timer in two different ways:

- You can use it as a minute minder. In this case, the timer will not turn any cooking zone off when the set time is up.
- You can set it to turn one cooking zone off after the set time is up.
- You can set the timer up to 99 minutes.

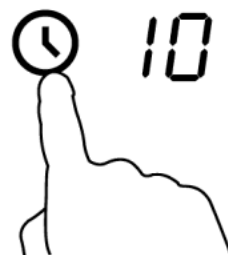
Using the Timer as a Minute Minder

If you are not selecting any cooking zone

1. Make sure the cooktop is turned on.

Note: you can use the minute minder even if you're not selecting any cooking zone.

2. Touch timer control, the minder indicator starts flashing and "10" is shown on the timer display.



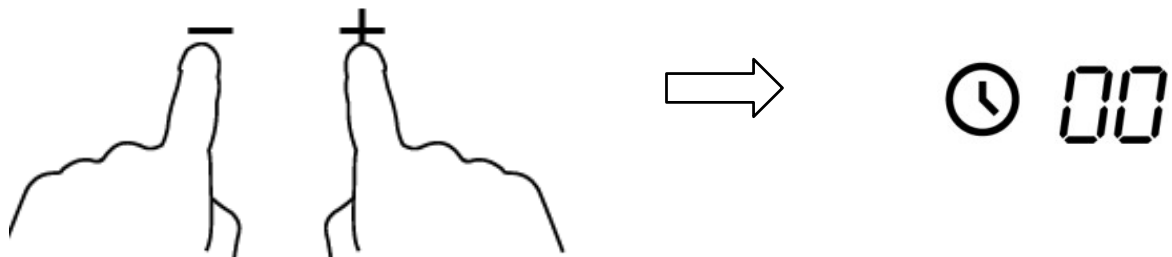
3. Set the time by touching the "-" or "+" control of the timer.

Hint: Touch the "-" or "+" control of the timer once to decrease or increase by 1 minute.

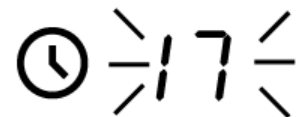
Hold the "-" or "+" control of the timer to decrease or increase by 10 minutes.

If the setting time exceeds 99 minutes, the timer will automatically return to 00 minute.

4. Touching the "-" and "+" together, the timer is cancelled, and the "00" will be shown on the minute display.



5. When the time is set, it starts to count down immediately. The display shows the remaining time and the timer indicator flashes for 5 seconds.

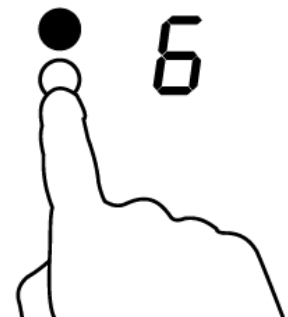


6. Buzzer beeps for 30 seconds and the timer indicator shows "--" when the setting time will be finished.

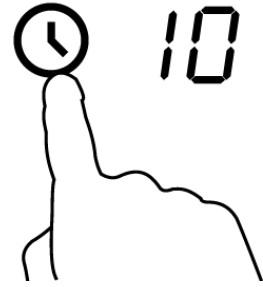


Setting the timer to turn one cooking zone off

1. Touch the heating zone selection control that you want to set the timer for.



2. Touch timer control, the minder indicator starts flashing and "10" is shown in the timer display.



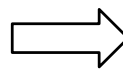
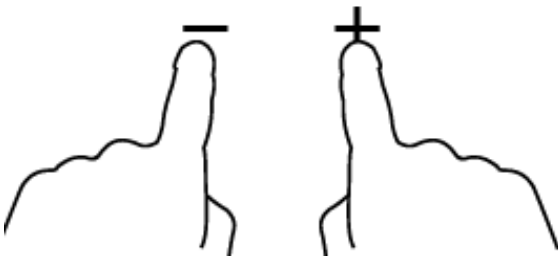
3. Set the time by touching the "-" or "+" control of the timer.

Hint: Touch either the "-" or "+" control of the timer once, time decreases or increases by 1 minute. Touch and hold either the "-" or "+" control of the timer, time decreases or increases by 10 minutes.

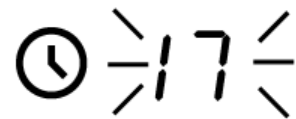


If the setting time exceeds 99 minutes, the timer will automatically return to 00 minute.

4. Touching the "-" and "+" together, the timer is cancelled, and the "00" will be shown on the minute display.



5. When the time is set, it will begin to count down immediately. The display will show the remaining time and the timer indicator will flash for 5 seconds.



NOTE: The red dot next to power level indicator lights up indicating that zone is selected.



6. When cooking timer expires, the corresponding cooking zone will be switched off automatically.



Other cooking zone will keep operating if they are turned on previously.

Cooking Guidelines



Take care when frying as the oil and fat heat up very quickly, particularly if you're using PowerBoost. At extremely high temperatures oil and fat will ignite spontaneously and this presents a serious fire risk.

Cooking Tips

- When food comes to the boil, reduce the temperature setting.
- Using a lid will reduce cooking times and save energy by retaining the heat.
- Minimise the amount of liquid or fat to reduce cooking times.
- Start cooking on a high setting and reduce the setting when the food has heated through.

Simmering, cooking rice

- Simmering occurs below boiling point, at around 85°C, when bubbles are just rising occasionally to the surface of the cooking liquid. It is the key to delicious soups and tender stews because the flavours develop without overcooking the food. You should also cook egg-based and flourthickened sauces below boiling point.
- Some tasks, including cooking rice by the absorption method, may require a setting higher than the lowest setting to ensure the food is cooked properly in the time recommended.

Searing steak

To cook juicy flavor some steaks:

1. Stand the meat at room temperature for about 20 minutes before cooking.
2. Heat up a heavy-based frying pan.
3. Brush both sides of the steak with oil. Drizzle a small amount of oil into the hot pan and then lower the meat onto the hot pan.

4. Turn the steak only once during cooking. The exact cooking time will depend on the thickness of the steak and how cooked you want it. Times may vary from about 2 – 8 minutes per side. Press the steak to gauge how cooked it is – the firmer it feels the more „well done” it will be.
5. Leave the steak to rest on a warm plate for a few minutes to allow it to relax and become tender before serving.

For stir-frying

1. Choose an induction compatible flat-based wok or a large frying pan.
2. Have all the ingredients and equipment ready. Stir-frying should be quick. If cooking large quantities, cook the food in several smaller batches.
3. Preheat the pan briefly and add two tablespoons of oil.
4. Cook any meat first, put it aside and keep warm.
5. Stir-fry the vegetables. When they are hot but still crisp, turn the cooking zone to a lower setting, return the meat to the pan and add your sauce.
6. Stir the ingredients gently to make sure they are heated through.
7. Serve immediately.

Heat Settings

The settings below are guidelines only. The exact setting will depend on several factors, including your cookware and the amount you are cooking. Experiment with the induction hob to find the settings that best suit you.

Heat setting	Suitability
1 - 2	<ul style="list-style-type: none"> • delicate warming for small amounts of food • melting chocolate, butter, and foods that burn quickly • gentle simmering • slow warming
3 - 4	<ul style="list-style-type: none"> • reheating • rapid simmering • cooking rice
5 - 6	<ul style="list-style-type: none"> • pancakes
7 - 8	<ul style="list-style-type: none"> • sautéing • cooking pasta
9	<ul style="list-style-type: none"> • stir-frying • searing • bringing soup to the boil • boiling water


Care and Cleaning

The settings below are guidelines only. The exact setting will depend on several factors, including your cookware and the amount you are cooking. Experiment with the hob to find the settings that best suit you.

What?	How?	Important!
Everyday soiling on glass (fingerprints, marks, stains left by food or non-sugary spillovers on the glass)	<ol style="list-style-type: none"> 1. Switch the power to the hob off. 2. Apply a cooktop cleaner while the glass is still warm (but not hot!) 3. Rinse and wipe dry with a clean cloth or paper towel. 4. Switch the power to the cooktop back on. 	<ul style="list-style-type: none"> • When the power to the hob is switched off, there will be no "hot surface" indication but the cooking zone may still be hot! Take extreme care. • Heavy-duty scourers, some nylon scourers and harsh/abrasive cleaning agents may scratch the glass. Always read the label to check if your cleaner or scourer is suitable. • Never leave cleaning residue on the cooktop: the glass may become stained.
Boilovers, melts, and hot sugary spills on the glass	<p>Remove these immediately with a fish slice, palette knife or razor blade scraper suitable for Induction glass cooktops, but beware of hot cooking zone surfaces:</p> <ol style="list-style-type: none"> 1. Switch the power to the cooktop off at the wall. 2. Hold the blade or utensil at a 30° angle and scrape the soiling or spill to a cool area of the cooktop. 3. Clean the soiling or spill up with a dish cloth or paper towel. 4. Follow steps 2 to 4 for "Everyday soiling on glass" above. 	<ul style="list-style-type: none"> • Remove stains left by melts and sugary food or spillovers as soon as possible. If left to cool on the glass, they may be difficult to remove or even permanently damage the glass surface. • Cut hazard: when the safety cover is retracted, the blade in a scraper is razor-sharp. Use with extreme care and always store safely and out of reach of children.
Spillovers on the touch controls	<ol style="list-style-type: none"> 1. hob the power to the cooktop off. 2. Soak up the spill 3. Wipe the touch control area with a clean damp sponge or cloth. 4. Wipe the area completely dry with a paper towel. 5. Switch the power to the cooktop back on. 	<ul style="list-style-type: none"> • The hob may beep and turn itself off, and the touch controls may not function while there is liquid on them. Make sure you wipe the touch control area dry before turning the hob back on.

Hints and Tips

Problem	Possible causes	What to do
The induction hob cannot be turned on.	No power.	Make sure the induction hob is connected to the power supply and that it is switched on. Check whether there is a power outage in your home or area. If you've checked everything and the problem persists, call a qualified technician.
The touch controls are unresponsive.	The controls are locked.	Unlock the controls. See section "Using your induction cooktop" for instructions.
The touch controls are difficult to operate.	There may be a slight film of water over the controls or you may be using the tip of your finger when touching the controls.	Make sure the touch control area is dry and use the ball of your finger when touching the controls.
The glass is being scratched.	Rough-edged cookware. Unsuitable, abrasive scourer or cleaning products being used.	Use cookware with flat and smooth bases. See "Choosing the right cookware". See "Care and cleaning".
Some pans make crackling or clicking noises.	This may be caused by the construction of your cookware (layers of different metals vibrating differently).	This is normal for cookware and does not indicate a fault.
The induction hob makes a low humming noise when used on a high heat setting.	This is caused by the technology of induction cooking.	This is normal, but the noise should quieten down or disappear completely when you decrease the heat setting.
Fan noise coming from the induction hob.	A cooling fan built into your induction hob has come on to prevent the electronics from overheating. It may continue to run even after you've turned the induction hob off.	This is normal and needs no action. Do not switch the power to the induction hob off at the wall while the fan is running.

Pans do not become hot and  appears in the display.	<p>The induction hob cannot detect the pan because it is not suitable for induction cooking.</p> <p>The induction hob cannot detect the pan because it is too small for the cooking zone or not properly centred on it.</p>	<p>Use cookware suitable for induction cooking. See section „Choosing the right cookware“.</p> <p>Centre the pan and make sure that its base matches the size of the cooking zone.</p>
The induction hob or a cooking zone has turned itself off unexpectedly, a tone sounds and an error code is displayed (typically alternating with one or two digits in the cooking timer display).	Technical fault.	Please note down the error letters and numbers, switch the power to the induction hob off at the wall, and contact a qualified technician.

Never attempt to disassemble the unit by yourself.

Failure Display and Inspection

If an abnormality comes up, the induction hob will enter the protective state automatically and display corresponding protective codes:

Problem	Possible causes	What to do
F3-F8	Temperature sensor failure	Please contact the supplier.
F9-FE	Temperature sensor of the IGBT failure.	Please contact the supplier.
E1/E2	Abnormal supply voltage	Please inspect whether power supply is normal. Power on after the power supply is normal.
E3/E4	Abnormal temperature	Please inspect the pot.
E5/E6	Bad induction hob heat radiation	Please restart after the induction hob cools down.

The above are the judgment and inspection of common failures.

Please do not disassemble the unit by yourself to avoid any danger and damages to the induction hob.

Technical Specification

Cooking Hob	CDI 30
Cooking Zones	2 Zones
Supply Voltage	220-240V~ 50/60Hz
Installed Electric Power	3500 W
Product Size L×W×H(mm)	288X520X56
Building-in Dimensions A×B (mm)	268X500

Weight and Dimensions are approximate. Because we continually strive to improve our products we may change specifications and designs without prior notice.

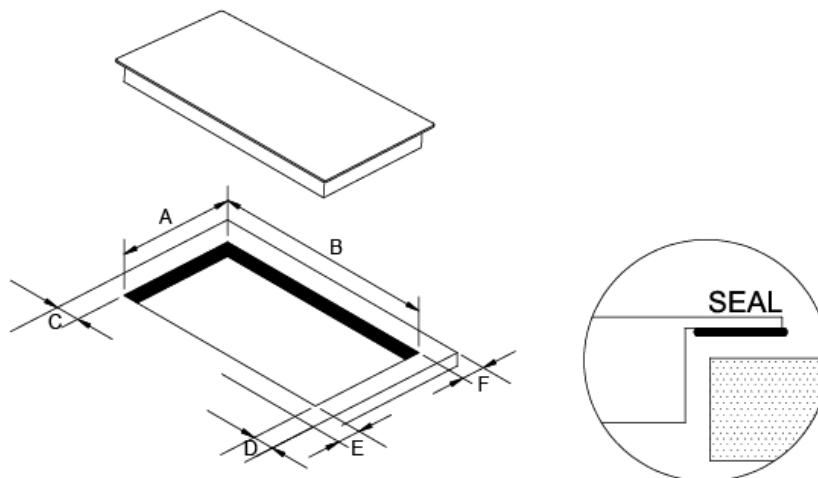
Installation

Selection of installation equipment

Cut out the work surface according to the sizes shown in the drawing.

For the purpose of installation and use, a minimum of 5 cm space shall be preserved around the hole.

Be sure the thickness of the work surface is at least 30mm. Please select heat-resistant work surface material to avoid larger deformation caused by the heat radiation from the hotplate. As shown below:

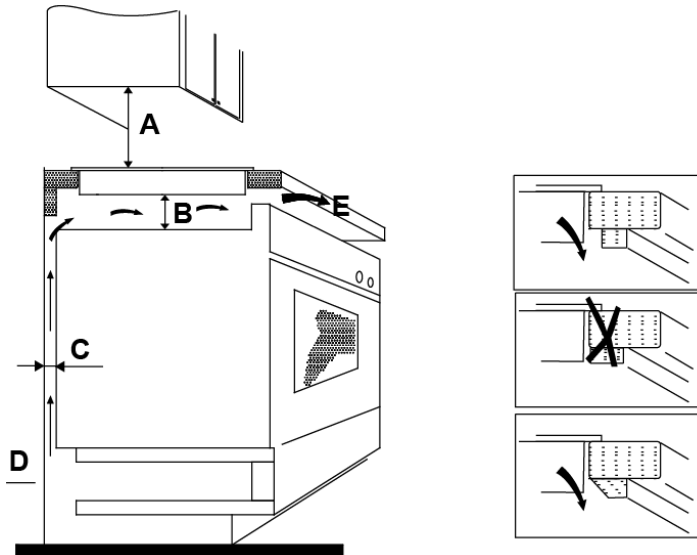


A (mm)	B (mm)	C (mm)	D (mm)	E (mm)	F (mm)
268 + 4 -0	500 + 4 -0	50mini	50 mini	50 mini	50 mini

Under any circumstances, make sure the Induction cooker hob is well ventilated and the air inlet and outlet are not blocked. Ensure the Induction cooker hob is in good work state. As shown below



Note: The safety distance between the hotplate and the cupboard above the hotplate should be at least 760mm.



A (mm)	B (mm)	C (mm)	D	E
760	50 mini	30 mini	Air intake	Air exit 10

Before you install the hob, make sure that

- the work surface is square and level, and no structural members interfere with space requirements
 - the work surface is made of a heat-resistant material
 - if the hob is installed above an oven, the oven has a built-in cooling fan
 - the installation will comply with all clearance requirements and applicable standards and regulations
 - a suitable isolating switch providing full disconnection from the mains power supply is incorporated in the permanent wiring, mounted and positioned to comply with the local wiring rules and regulations
- The isolating switch must be of an approved type and provide a 3 mm air gap contact separation in all poles (or in all active [phase] conductors if the local wiring rules allow for this variation of the requirements).

- the isolating switch will be easily accessible to the customer with the hob installed
- you consult local building authorities and by-laws if in doubt regarding installation
- you use heat-resistant and easy-to-clean finishes (such as ceramic tiles) for the wall surfaces surrounding the hob.

When you have installed the hob, make sure that

- the power supply cable is not accessible through cupboard doors or drawers
- there is adequate flow of fresh air from outside the cabinetry to the base of the hob
- if the hob is installed above a drawer or cupboard space, a thermal protection barrier is installed below the base of the hob
- the isolating switch is easily accessible by the customer.

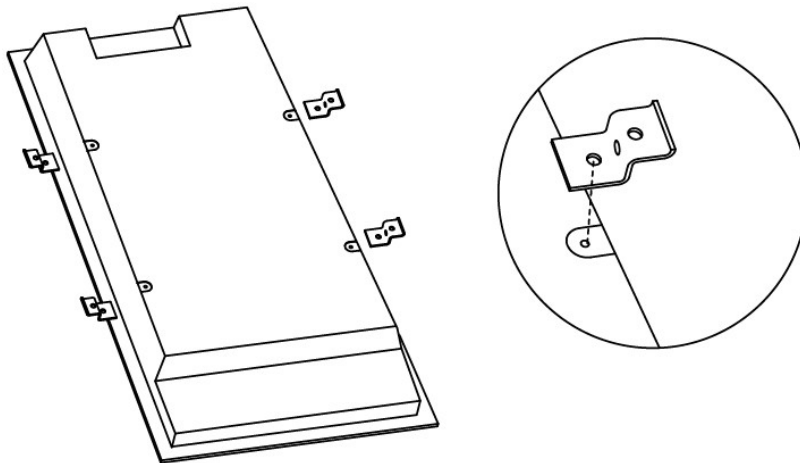
Before locating the fixing brackets

The unit should be placed on a stable, smooth surface (use the packaging). Do not apply force onto the controls protruding from the hob.

Adjusting the bracket position

Fix the hob on the work surface by screw 4 brackets on the bottom of hob (see picture) after installation.

Adjust the bracket position to suit for different table top thickness.



Cautions

1. The induction hotplate must be installed by qualified personnel or technicians. We have professionals at your service. Please never conduct the operation by yourself.

2. The hob will not be installed directly above a dishwasher, fridge, freezer, washing machine or clothes dryer, as the humidity may damage the hob electronics.
3. The induction hotplate shall be installed such that better heat radiation can be ensured to enhance its reliability.
4. The wall and induced heating zone above the table surface shall withstand heat.
5. To avoid any damage, the sandwich layer and adhesive must be resistant to heat.

Connecting the hob to the mains power supply



This hob must be connected to the mains power supply only by a suitably qualified person.

Before connecting the hob to the mains power supply, check that:

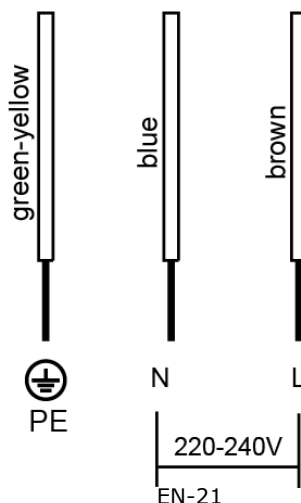
1. the domestic wiring system is suitable for the power drawn by the hob
2. the voltage corresponds to the value given in the rating plate
3. the power supply cable sections can withstand the load specified on the rating plate. To connect the hob to the mains power supply, do not use adapters, reducers, or branching devices, as they can cause overheating and fire.

The power supply cable must not touch any hot parts and must be positioned so that its temperature will not exceed 75°C at any point.



Check with an electrician whether the domestic wiring system is suitable without alterations. Any alterations must only be made by a qualified electrician.

The power supply should be connected in compliance with the relevant standard or a single-pole circuit breaker. The method of connection is shown below.



- If the cable is damaged or to be replaced, the operation must be carried out by the after-sale agent with dedicated tools to avoid any accidents.
- If the appliance is being connected directly to the mains an omnipolar circuit-breaker must be installed with a minimum opening of 3mm between contacts.
- The installer must ensure that the correct electrical connection has been made and that it is compliant with safety regulations.
- The cable must not be bent or compressed.
- The cable must be checked regularly and replaced by authorised technicians only.
- The yellow/green wire of the power supply cable must be connected to the earth of both power supply and appliance terminals.
- The manufacturer cannot be held responsible for any accidents resulting from the use of an appliance which is not connected to earth, or with faulty earth connection continuity.
- If the appliance has a socket outlet, it must be installed so that the socket outlet is accessible.




DISPOSAL: Do not dispose this product as unsorted municipal waste. Collection of such waste separately for special treatment is necessary.

This appliance is labeled in compliance with European directive 2012/19/EC for Waste Electrical and Electronic Equipment (WEEE). By ensuring that this appliance is disposed of correctly, you will help prevent any possible damage to the environment and to human health, which might otherwise be caused if it were disposed of in the wrong way.

The symbol on the product indicates that it may not be treated as normal household waste. It should be taken to a collection point for the recycling of electrical and electronic goods.

This appliance requires specialist waste disposal. For further information regarding the treatment, recover and recycling of this product please contact your local council, your household waste disposal service, or the shop where you purchased it.

For more detailed information about treatment, recovery and recycling of this product, please contact your local city office, your household waste disposal service or the shop where you purchased the product.

Apponendo il marchio CE  su questo prodotto dichiariamo, sotto la nostra diretta responsabilità, la conformità a tutte le normative europee in materia di sicurezza, salute e tutela dell'ambiente divulgate per questo particolare prodotto.

Avvertenze di sicurezza

La sua sicurezza è estremamente importante per noi. Legga sempre queste istruzioni prima di utilizzare il piano di cottura.

Installazione

Rischio di elettrocuzione

- Staccare l'elettrodomestico dalla rete di alimentazione elettrica principale prima di effettuare lavori o operazioni di manutenzione sullo stesso.
- Il collegamento ad un sistema di messa a terra funzionante è essenziale e obbligatorio.
- Le eventuali modifiche al sistema di cablaggio domestico devono essere apportate unicamente da un tecnico qualificato.
- Il mancato rispetto di queste precauzioni implica il rischio di elettrocuzione o addirittura di morte.

Rischio di lesioni da taglio

- Prestare la massima attenzione, gli spigoli dei pannelli sono taglienti.
- La mancata attenzione può provocare lesioni o tagli.

Importanti istruzioni di sicurezza

- Leggere attentamente le istruzioni prima di installare ed utilizzare questo elettrodomestico.
- Non appoggiare mai materiale o prodotti combustibili sull'elettrodomestico.
- Comunicare queste informazioni alla persona responsabile dell'installazione dell'elettrodomestico in quanto potrebbe ridurre i costi di installazione.
- Per evitare pericoli, questo elettrodomestico deve essere montato secondo queste istruzioni di installazione.
- Questo elettrodomestico deve essere installato correttamente e messo a terra solo da personale qualificato.
- Questo elettrodomestico deve essere collegato ad un circuito dotato di un interruttore sezionatore che effettui lo stacco completo dall'alimentazione elettrica.
- La mancata installazione dell'elettrodomestico nel rispetto delle istruzioni di cui sopra può rendere non più valide le rivendicazioni di reclamo e garanzia.

Funzionamento e manutenzione

Rischio di elettrocuzione

- Non cuocere se la superficie del piano di cottura è rotta o crepata. Se il piano di cottura si rompe o crepa, spegnere l'elettrodomestico immediatamente nell'alimentazione principale (interruttore a parete) e contattare un tecnico qualificato.
- Spegnerne il piano di cottura tramite l'interruttore a parete prima di qualsiasi operazione di pulizia o manutenzione.

- Il mancato rispetto di queste precauzioni implica il rischio di elettrocuzione o addirittura di morte.

Rischi per la salute

- Questo elettrodomestico rispetta le normative di sicurezza per i dispositivi elettromagnetici.
- Tuttavia, le persone portatrici di pacemaker o altri impianti elettrici (quali pompe per insulina) possono usare questo elettrodomestico solo sotto il controllo del proprio medico, per accertarsi che gli impianti non vengano influenzati dal campo elettromagnetico.
- Il mancato rispetto di queste precauzioni implica il rischio di morte.

Pericolo: superficie surriscaldata

- Durante l'uso, i componenti accessibili di questo elettrodomestico si surriscaldano a sufficienza da provocare bruciature.
- Fino a quando la superficie del vetro a induzione non si è raffreddata, non toccarla con parti del corpo, indumenti o altri oggetti che non siano recipienti di cottura appositi.
- Attenzione: oggetti in metallo magnetizzabili indossati possono surriscaldarsi in prossimità del piano di cottura. I gioielli in oro o argento non subiscono tale processo.
- Mantenere a distanza i bambini.
- I manici delle pentole possono surriscaldarsi. Controllare che i manici delle pentole non sporgano su altre zone di cottura accese. Tenere i manici al di fuori della portata dei bambini.
- Il mancato rispetto di queste precauzioni implica il rischio di bruciature e ustioni.

Rischio di lesioni da taglio

- La lama affilata di un raschietto di superficie del piano di cottura resta esposta quando viene rimosso il coperchio di sicurezza. Prestare la massima attenzione e riporre sempre in un luogo sicuro, al di fuori della portata dei bambini.
- La mancata attenzione può provocare lesioni o tagli.

Importanti istruzioni di sicurezza

- Mai lasciare incustodito l'elettrodomestico durante l'uso. Un'eccessiva bollitura genera vapori e schizzi di grasso che potrebbero prendere fuoco.
- Non utilizzare mai il piano di cottura come superficie di lavoro o per appoggiare oggetti.
- Non lasciare mai oggetti o utensili sull'elettrodomestico.
- Non mettere o lasciare oggetti magnetizzabili (ad esempio carte di credito, schede di memoria) o dispositivi elettronici (ad esempio computer, lettori MP3) vicino all'elettrodomestico, in quanto potrebbero essere influenzati dal campo elettromagnetico.
- Non utilizzare mai l'elettrodomestico per riscaldare la stanza.
- Dopo l'uso, spegnere sempre le zone di cottura e il piano di cottura come descritto nel presente manuale (ad esempio utilizzando i tasti di controllo).
Non basarsi sulla funzione di rilevamento pentole per spegnere le zone di cottura quando si tolgono le pentole.

- Non permettere ai bambini di giocare con l'apparecchio, di sedersi o arrampicarsi su di esso.
- Non riporre oggetti che possano attirare l'attenzione dei bambini al di sopra dell'elettrodomestico. Se i bambini si arrampicano sul piano di cottura possono subire gravi lesioni.
- Non lasciare i bambini incustoditi o da soli nell'area in cui viene utilizzato l'elettrodomestico.
- I bambini o le persone con una disabilità tale da limitare la capacità di utilizzare l'elettrodomestico devono essere istruiti sull'uso da una persona responsabile e competente. La persona che fornisce le istruzioni deve essere convinta di averli istruiti in modo tale da potere utilizzare l'elettrodomestico senza rischio per se stessi o per le persone che si trovano nelle aree circostanti.
- Non riparare o sostituire parti dell'elettrodomestico se questo è specificatamente consigliato all'interno del manuale. Tutte le altre operazioni di manutenzione devono essere effettuate da un tecnico qualificato.
- Non utilizzare getti di vapore per pulire il piano di cottura.
- Non posizionare o lasciare cadere oggetti pesanti sul piano di cottura.
- Non salire sulla superficie del piano di cottura.
- Non utilizzare pentole con fondi ruvidi e non trascinare pentole sul piano in vetro a induzione, in quanto si rischia di graffiarlo.
- Non utilizzare spugnette metalliche o altri detergenti fortemente abrasivi per pulire il piano di cottura, in quanto si rischia di graffiare il vetro a induzione.
- Se il cavo di alimentazione elettrica è danneggiato, deve essere sostituito unicamente da un tecnico qualificato.
- Questo elettrodomestico è progettato solo per uso interno.
- L'elettrodomestico può essere utilizzato da bambini di età superiore a 8 anni e da persone con ridotte capacità fisiche, sensoriali o mentali, oppure prive di esperienza e conoscenza, che siano state supervisionate o istruite riguardo all'uso dell'elettrodomestico in sicurezza, comprendendo i rischi che derivano dall'uso dello stesso. I bambini non devono giocare con l'elettrodomestico. La pulizia e la manutenzione da parte dell'utente non possono essere effettuate da bambini senza supervisione.
- **ATTENZIONE:** La cottura senza sorveglianza su un piano di cottura in presenza di grasso o olio nella pentola può essere pericolosa, con rischio di incendi. **NON** cercare mai di spegnere l'incendio con acqua, bensì spegnerlo e coprire la fiamma con un coperchio o una coperta antincendio.
- Oggetti metallici come coltelli, forchette, cucchiai o coperchi non devono essere posti sulla superficie del piano di cottura perché possono scaldarsi.
- Dopo l'uso, spegnere l'elemento del piano di cottura utilizzando il relativo comando senza basarsi sul rilevatore di pentole.
- L'elettrodomestico non è concepito per funzionare con temporizzatori esterni o con sistemi di comando a distanza separati.

Desideriamo ringraziarla per l'acquisto del nuovo piano di cottura a induzione.

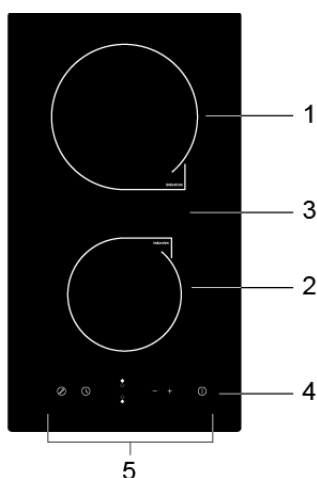
Si consiglia di leggere attentamente questo manuale di istruzioni e di montaggio per comprendere pienamente come montarlo correttamente e farlo funzionare al meglio.

Per il montaggio, si consiglia di leggere la parte relativa al montaggio.

Consigliamo di leggere con attenzione tutte le istruzioni di sicurezza prima dell'uso e di conservare questo Manuale d'Uso e Montaggio conservandolo con cura per poterlo consultare in futuro in caso di necessità.

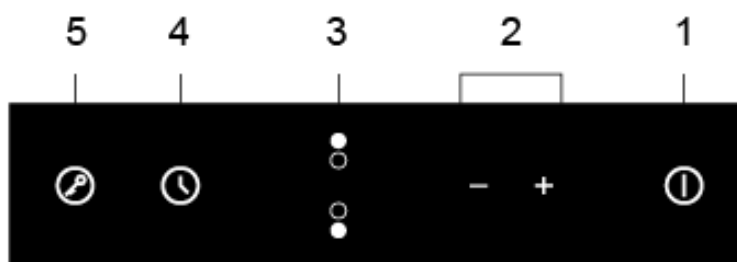
Panoramica del prodotto

Vista dall'alto



1. Zona max. 2000 W
2. Zona max. 1500 W
3. Piatto in vetro
4. Tasto ON/OFF
5. Pannello comandi

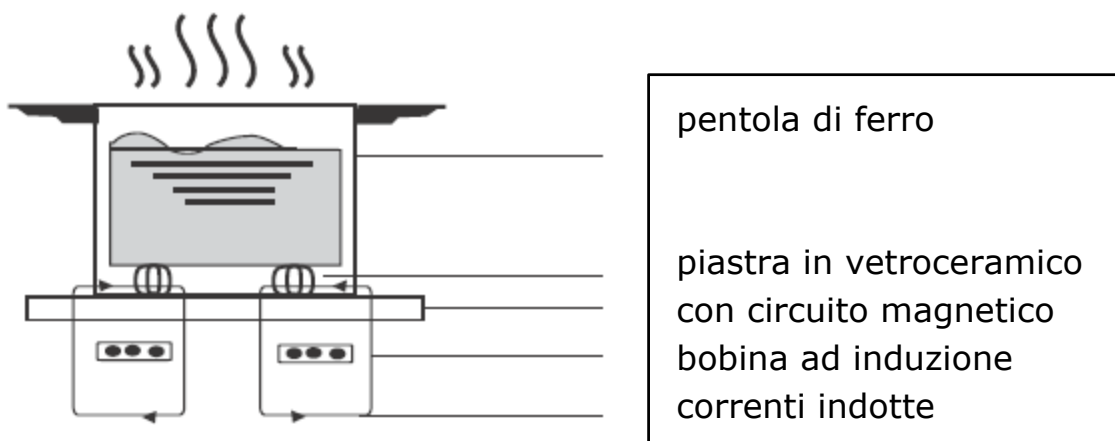
Pannello comandi



1. Tasto ON/OFF
2. Tasti di alimentazione/timer
3. Tasti selezione della zona da scaldare
4. Controllo timer
5. Blocco comandi

Come funziona la cottura a induzione

La tecnologia della cottura a induzione è un metodo sicuro, tecnologicamente avanzato, efficiente ed economico. Funziona tramite vibrazioni elettromagnetiche che generano il calore direttamente nella pentola invece che indirettamente riscaldando la superficie in vetro. Il vetro si surriscalda perché si riscalda anche la pentola.

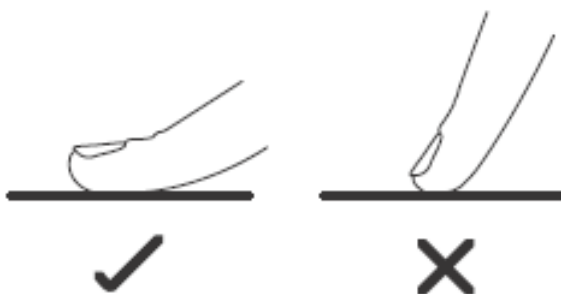


Prima di utilizzare il vostro nuovo piano di cottura a induzione

- Leggere questa guida, prestando particolare attenzione alla sezione delle "Avvertenze di Sicurezza".
- Togliere la pellicola protettiva che potrebbe essere presente sul piano di cottura a induzione.

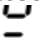
Utilizzo dei tasti a sfioro

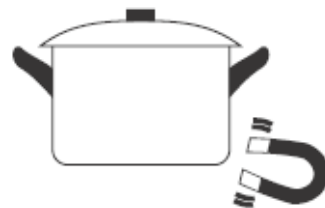
- I comandi rispondono allo sfioramento, quindi non è necessario premerli.
- Utilizzare il polpastrello del dito e non la punta.
- Ogni volta che viene registrato il contatto, viene emesso un bip.
- Accertarsi che i comandi siano sempre puliti, asciutti e privi di oggetti (ad esempio utensili o asciugapiatti) appoggiati su di essi. Anche un leggero strato di acqua può rendere difficoltoso l'utilizzo dei comandi.



Scelta dei recipienti di cottura più appropriati



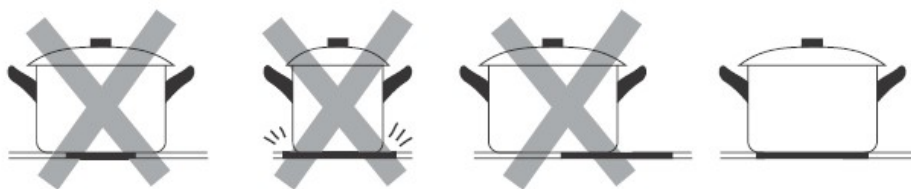
- Utilizzare solamente recipienti di cottura adatti per la cottura a induzione. Verificare che sia presente il simbolo di induzione sull'imballaggio o sul fondo della pentola.
- È possibile verificare se il recipiente di cottura è adatto effettuando una prova magnetica. Avvicinare un magnete al fondo della pentola. Se questa viene attratta, è adatta per la cottura ad induzione.
- Se non disponete di un magnete:
 1. Mettete un certo quantitativo di acqua nella pentola che volete controllare.
 2. Se  non lampeggia sul display e l'acqua si sta riscaldando, la pentola si può usare.
- Non si possono utilizzare recipienti di cottura realizzati con i seguenti materiali: acciaio inossidabile puro, alluminio o rame senza base magnetica, vetro, legno, porcellana, ceramica e terracotta.



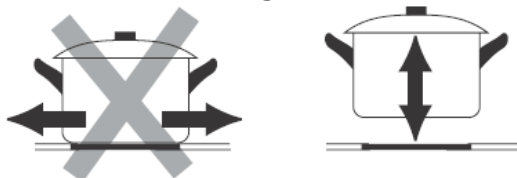
Non utilizzare recipienti di cottura con fondo ruvido o base curva.



Accertarsi che la base della pentola sia liscia, si appoggi uniformemente sul vetro ed abbia le stesse dimensioni della zona di cottura. Utilizzare pentole con diametro corrispondente al grafico della zona selezionata. Con una pentola leggermente più grande l'energia viene utilizzata alla massima efficienza. Se si utilizza invece una pentola più piccola l'efficienza potrebbe essere inferiore a quanto previsto. Una pentola di dimensioni inferiori a 140 mm potrebbe non essere rilevata dal piano di cottura. Centrare sempre la pentola nella zona di cottura.



Togliere sempre le pentole dal piano di cottura a induzione sollevandole - non farle strisciare, in quanto si rischia di graffiare il vetro.

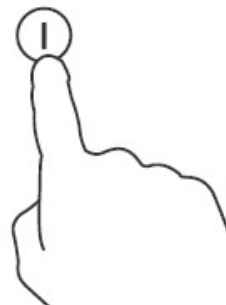


Utilizzo del piano di cottura a induzione

Per iniziare la cottura

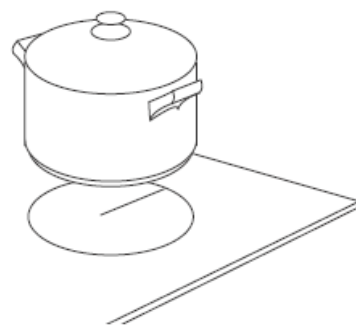
1. Toccare il tasto a sfioro ON/OFF.

Dopo l'accensione, l'avvisatore acustico si attiva una volta, tutti i display visualizzano "-" o "--", ad indicare che il piano di cottura a induzione è in modalità standby.



2. Collocare una pentola apposita sulla zona di cottura che si vuole utilizzare.

- Accertarsi che il fondo della pentola e la superficie della zona di cottura siano pulite e asciutte.



3. Toccando il tasto a sfioro di selezione zona di riscaldamento, un indicatore sul tasto inizia a lampeggiare.



4. Selezionare un'impostazione di riscaldamento con i tasti a sfioro "-" o "+".

- Se entro un minuto non viene selezionata un'impostazione di riscaldamento il piano di cottura a induzione si spegne automaticamente. In questo caso è necessario ripartire dalla fase 1.



- L'impostazione di riscaldamento si può modificare in qualsiasi momento durante la cottura.

Se sul display lampeggia insieme all'impostazione di riscaldamento

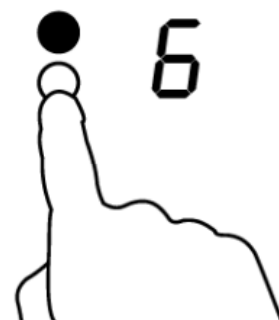
Questo significa quanto segue:

- la pentola è stata collocata nella zona di cottura sbagliata, oppure
- la pentola che state utilizzando non è adatta per cottura a induzione, oppure
- la pentola è troppo piccola o non è centrata correttamente sulla zona di cottura.

Il piano non si riscalda se sulla zona di cottura non è stata collocata una pentola adatta. Il display si spegne automaticamente dopo due minuti se non è stata collocata una pentola adatta.

Al termine della cottura

1. Toccare il tasto a sfioro di selezione della zona di riscaldamento che si vuole spegnere.



2. Spegnere la zona di cottura facendo scorrere verso il basso fino a "0" oppure toccando contemporaneamente "-" e "+". Accertarsi che sul display sia visualizzato "0".



3. Spegnere l'intero piano di cottura toccando il tasto a sfioro ON/OFF.



4. Prestare attenzione alle superfici calde

Verrà visualizzata una H per indicare quale zona di cottura è calda e non può essere toccata. Scomparirà quando la superficie si è raffreddata fino ad una temperatura adeguata. Può essere utilizzato anche come funzione di risparmio energetico se si desidera riscaldare ulteriori pentole, usando la piastra calda che è ancora surriscaldata.



Blocco dei comandi

- I comandi si possono bloccare per evitare un uso involontario (ad esempio accensione involontaria delle zone di cottura da parte di bambini).
- Quando i comandi sono bloccati, sono tutti disabilitati tranne il tasto di ON/OFF.

Per bloccare i comandi

Toccare il blocco comandi. L'indicatore sul timer riporta "Lo" (basso).

Per sbloccare i comandi

1. Toccare e mantenere premuto il blocco comandi per un breve periodo.
2. A questo punto il piano di cottura a induzione si può utilizzare nuovamente.



Quando il piano di cottura è in modalità di bloccaggio, tutti i comandi sono disabilitati ad esclusione del tasto ON/OFF, è possibile spegnere il piano di cottura a induzione in caso di emergenza, ma prima dell'utilizzo successivo è necessario sbloccare il piano di cottura stesso.

Protezione contro il surriscaldamento

Un sensore di temperatura controlla la temperatura all'interno del piano di cottura a induzione. Se la temperatura supera il livello di sicurezza, il piano di cottura a induzione si spegne automaticamente.

Segnalazione di oggetti di piccole dimensioni

Se sul piano di cottura resta appoggiata una pentola con dimensioni non corrette o non magnetica (ad esempio in alluminio) o altri piccoli oggetti (ad esempio coltelli, forchette, chiavi), la zona entra automaticamente in standby per un minuto.

La ventola continua a raffreddare il piano di cottura a induzione per un ulteriore minuto.

Protezione tramite autospegnimento

L'autospegnimento è una funzione di sicurezza per il piano di cottura a induzione. Si attiva automaticamente ogni volta che si dimentica acceso il piano di cottura. I tempi di funzionamento di default per i vari livelli di intensità di potenza sono indicati sulla tabella che segue:

Livello di potenza	1	2	3	4	5	6	7	8	9
Timer di funzionamento di default (ore)	8	8	8	4	4	4	2	2	2

Quando la pentola viene rimossa il piano di cottura a induzione smette immediatamente di riscaldarsi e si spegne automaticamente dopo due minuti.



Le persone portatrici di pacemaker possono utilizzare questo elettrodomestico solo sotto il controllo del proprio medico.

Utilizzo del timer

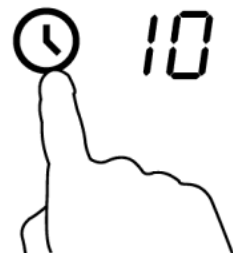
Il timer si può utilizzare in due modi diversi:

- Si può utilizzare come contaminuti. In questo caso, il timer non spegne alcuna zona di cottura quando il tempo impostato è attivo.
- Si può impostare per spegnere una zona di cottura al termine del tempo impostato.
- Il timer si può impostare fino a 99 minuti.

Utilizzo del timer come contaminuti

Se non viene selezionata nessuna zona di cottura

1. Accertarsi che il piano di cottura sia acceso.
Nota: si può utilizzare il contaminuti anche se non è stata selezionata alcuna zona di cottura.
2. Con il tasto a sfioro del timer, l'indicatore del contaminuti inizia a lampeggiare e il display del timer visualizza "10".



3. Impostare il tempo toccando i tasti "-" o "+" del timer.

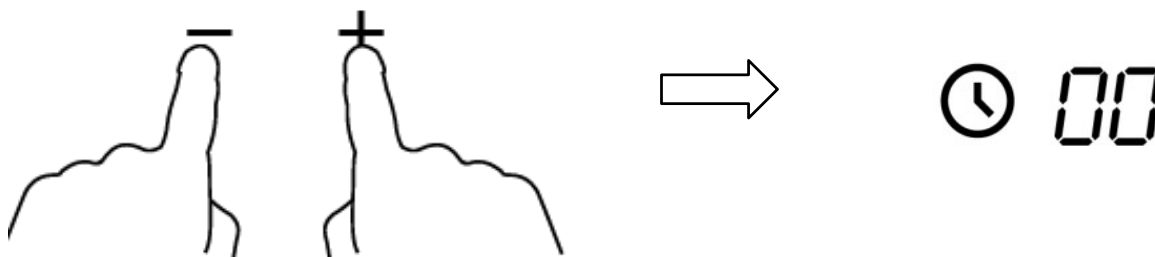
Consiglio: Usare il tasto a sfioro "-" o "+" del timer una volta per diminuire o aumentare il valore di un minuto.



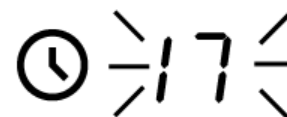
Tenere premuto il tasto a sfioro "-" o "+" del timer per diminuire o aumentare il valore di 10 minuti.

Se il tempo impostato è superiore a 99 minuti, il timer si riposiziona automaticamente a 00 minuti.

4. Utilizzando i tasti "-" e "+" insieme, il timer si cancella ed il display dei minuti visualizza "00".



5. Una volta impostato il tempo, il conto alla rovescia inizia immediatamente. Il display visualizza il tempo restante e l'indicatore del timer lampeggia per 5 secondi.

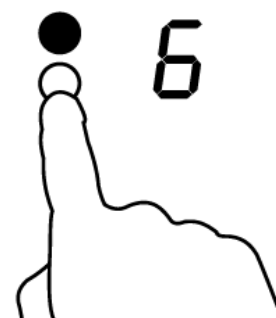


6. L'avvisatore acustico si attiva per 30 secondi e l'indicatore del timer visualizza "- -" al termine del tempo impostato.

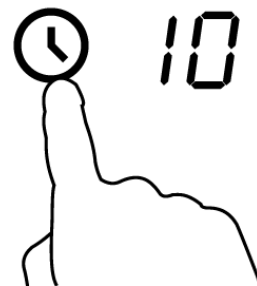


Impostazione del timer per spegnere una zona di cottura

1. Toccare il tasto a sfioro di selezione della zona di riscaldamento per la quale si vuole impostare il timer.



2. Con il tasto a sfioro del timer, l'indicatore del contaminuti inizia a lampeggiare e il display del timer visualizza "10".



3. Impostare il tempo toccando i tasti "-" o "+" del timer.

Consiglio: Usando il tasto a sfioro "-" o "+" del timer una volta, il tempo diminuisce o aumenta di un minuto. Tenere premuto il tasto a sfioro "-" o "+" del timer, il tempo diminuisce o aumenta di 10 minuti.

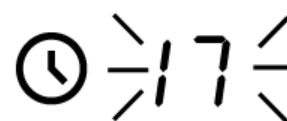


Se il tempo impostato è superiore a 99 minuti, il timer si riposiziona automaticamente a 00 minuti.

4. Utilizzando i tasti "-" e "+" insieme, il timer si cancella ed il display dei minuti visualizza "00".



5. Una volta impostato il tempo, il conto alla rovescia inizia immediatamente. Il display visualizza il tempo restante e l'indicatore del timer lampeggia per 5 secondi.



NOTA: Il punto rosso vicino all'indicatore di livello di potenza si accende ad indicare che la zona è stata selezionata.



6. Quando il tempo impostato sul timer di cottura finisce, la corrispondente zona di cottura si spegne automaticamente.



Le altre zone di cottura continueranno a funzionare se erano state accese in precedenza.

Guida alla cottura



Prestare attenzione quando si friggono gli ingredienti, dato che l'olio e il grasso si riscaldano molto rapidamente, in particolare se si sta utilizzando la funzione PowerBoost (cottura super-rapida).

A temperature estremamente elevate l'olio e il grasso si incendiano spontaneamente e sussistono gravi rischi di incendi.

Consigli di cottura

- Quando il cibo inizia a bollire, ridurre l'impostazione della temperatura.
- L'utilizzo di un coperchio riduce i tempi di cottura e risparmia energia trattenendo il calore.
- Ridurre al minimo la quantità di liquido o grasso per diminuire i tempi di cottura.
- Iniziare la cottura con temperatura elevata, quindi ridurla quando il cibo si è riscaldato.

Ebollizione lenta, cottura del riso

- L'ebollizione lenta inizia al di sotto del punto di ebollizione, a circa 85°C, quando le bolle salgono singolarmente in superficie nel liquido di cottura. Questo è il metodo più efficace per cuocere zuppe deliziose e spezzatini teneri perché i sapori si esaltano senza dovere cuocere eccessivamente il cibo. Si possono anche cuocere salse a base di uovo e addensate con farina al di sotto del punto di ebollizione.
- Alcune operazioni, quali ad esempio la cottura del riso facendo assorbire l'acqua, possono richiedere un'impostazione più alta rispetto a quella inferiore, in modo da garantire che il cibo sia cotto in modo corretto nel periodo di tempo consigliato.

Cottura a fuoco vivo di bistecche

Per cuocere e ottenere un sapore vivace in alcuni tipi di bistecche:

1. Lasciare riposare la carne a temperatura ambiente per circa 20 minuti prima della cottura.
2. Riscaldarla in una padella per cottura con base spessa.
3. Spennellare entrambi i lati della bistecca con olio. Spruzzare un piccolo quantitativo di olio sulla padella calda e quindi stendere la carne sulla padella calda.

4. Girare la bistecca solo una volta durante la cottura. Il tempo di cottura esatto dipende dallo spessore della bistecca e dal grado di cottura richiesto. I tempi possono variare da 2 a circa 8 minuti per ogni lato. Fare pressione sulla bistecca per valutare quanto è cotta - più compatta risulta più la bistecca è "ben cotta".
5. Lasciare riposare la bistecca su un piatto tiepido per alcuni minuti in modo da permetterle di allentare le fibre e diventare tenera prima di servirla.

Frittura al salto

1. Scegliere un wok con base piatta o una padella per friggere grande compatibili con il sistema a induzione.
2. Predisporre tutti gli ingredienti e gli utensili. La frittura al salto è veloce. Nel caso di cottura di grandi quantità di cibo, si consiglia di cuocere piccoli quantitativi, in più volte.
3. Preriscaldare leggermente la padella ed aggiungere due cucchiaini di olio.
4. Cuocere prima la carne, metterla da parte e mantenerla in caldo.
5. Friggere al salto la verdura. Quando la verdura è calda ma ancora croccante, abbassare la temperatura della zona di cottura, rimettere la carne nella padelle ed aggiungere la salsa.
6. Friggere al salto con delicatezza gli ingredienti per accertarsi che siano caldi.
7. Servire immediatamente.

Impostazioni di riscaldamento

Le impostazioni riportate qui di seguito servono solo a titolo indicativo.

L'impostazione esatta dipende da diversi fattori, compresi i recipienti di cottura utilizzati e dal quantitativo di cibo da cuocere. Il metodo migliore è fare diverse prove con il piano di cottura a induzione per individuare le migliori impostazioni per la vostra cucina.

Impostazioni di riscaldamento	Cibi adatti
1 - 2	<ul style="list-style-type: none"> • leggero riscaldamento di piccole quantità di cibo • fusione di cioccolato, burro e cibi che si bruciano facilmente • ebollizione lenta e delicata • riscaldamento lento
3 - 4	<ul style="list-style-type: none"> • nuovo riscaldamento • ebollizione lenta e rapida • cottura di riso
5 - 6	<ul style="list-style-type: none"> • pancake
7 - 8	<ul style="list-style-type: none"> • cibi da rosolare • cottura di pasta
9	<ul style="list-style-type: none"> • frittura al salto • cottura a fuoco vivo • ebollizione di zuppe • bollitura di acqua

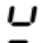
Cura e pulizia

Le impostazioni riportate qui di seguito servono solo a titolo indicativo. L'impostazione esatta dipende da diversi fattori, compresi i recipienti di cottura utilizzati e dal quantitativo di cibo da cuocere. Il metodo migliore è fare diverse prove con il piano di cottura per individuare le migliori impostazioni per la vostra cucina.

Che cosa?	Come?	Importante!
Sporco quotidiano sul vetro (impronte, segni, macchie di cibo e schizzi non zuccherini sul vetro)	<ol style="list-style-type: none"> 1. Spegnere l'alimentazione elettrica del piano di cottura. 2. Applicare un detergente per piano di cottura quando il vetro è ancora tiepido (ma non caldo!) 3. Sciacquare ed asciugare con uno straccio pulito o un panno di carta. 4. Ridare alimentazione al piano di cottura. 	<ul style="list-style-type: none"> • Quando viene ridata alimentazione al piano di cottura non ci saranno indicazioni di "superficie calda", tuttavia la zona di cottura può essere ancora calda! Prestare la massima attenzione. • Spugnette metalliche dure, alcune spugnette in nylon e detergenti forti/abrasivi possono graffiare il vetro. Leggere sempre l'etichetta per verificare se il vostro detergente o la spugna metallica sono adatti. • Non lasciare mai residui dei prodotti di pulizia sul piano di cottura: il vetro si potrebbe macchiare.
Schizzi di acqua bollente, ingredienti fusi e schizzi zuccherini sul vetro	<p>Togliarli immediatamente con una paletta per pesce, una paletta o un raschietto a lama adatto a piano di cottura a induzione in vetro, prestando sempre attenzione alle superfici della zona di cottura:</p> <ol style="list-style-type: none"> 1. Togliere alimentazione dal piano di cottura dalla presa a parete. 2. Tenere la lama o l'utensile ad un angolo di 30° e raschiare la sporcizia o i residui verso una parte fredda del piano di cottura. 3. Pulire i residui o gli schizzi con un asciugapiatti o un panno di carta. 4. Effettuare le fasi da 2 a 4 per lo "sporco quotidiano sul vetro" come sopra indicato. 	<ul style="list-style-type: none"> • Togliere al più presto possibile le macchie lasciate da ingredienti fusi, cibo zuccherino o schizzi. Se questi residui vengono lasciati seccare sul vetro, possono risultare in seguito difficili da togliere o addirittura danneggiare in modo permanente la superficie del vetro. • Rischio di tagli: quando la protezione di sicurezza viene fatta rientrare, la lama del raschietto è tagliente come quella di un rasoio. Prestare la massima attenzione e riporre sempre in un luogo sicuro, al di fuori della portata dei bambini.
Schizzi sui tasti a sfioro	<ol style="list-style-type: none"> 1. Togliere l'alimentazione elettrica del piano di cottura. 2. Asciugare gli schizzi 3. Ripulire la zona dei tasti a sfioro con una spugna umida pulita o uno straccio. 4. Asciugare completamente l'area con un panno di carta. 5. Ridare alimentazione al piano di cottura. 	<ul style="list-style-type: none"> • Il piano di cottura può emettere dei bip e spegnersi e i tasti a sfioro possono non funzionare quando è presente liquido su di essi. Accertarsi di asciugare la zona dei tasti a sfioro prima di riaccendere il piano di cottura.

Consigli e accorgimenti

Problema	Possibili cause	Rimedio
Il piano di cottura a induzione non si accende.	Mancanza di alimentazione.	Accertarsi che il piano di cottura a induzione sia collegato all'alimentazione elettrica e che sia acceso. Controllare che non ci sia un black-out elettrico nella vostra abitazione o nella vostra zona. Dopo avere effettuato tutti questi controlli, se il problema persiste, rivolgersi ad un tecnico qualificato.
I tasti a sfioro non rispondono.	I comandi sono bloccati.	Sbloccare i comandi. Vedere la sezione "Utilizzo del piano di cottura a induzione" per le relative istruzioni.
I tasti a sfioro si attivano a fatica.	Potrebbe esserci una sottile pellicola di acqua sui comandi, oppure state utilizzando la punta delle dita per attivare i comandi.	Accertarsi che la zona dei tasti a sfioro sia asciutta e utilizzare il polpastrello delle vostre dita per attivare i comandi.
Il vetro è graffiato.	Recipienti di cottura con bordi irregolari. Si stanno utilizzando spugnette metalliche o detergenti abrasivi e non adatti.	Utilizzare recipienti di cottura con basi piane e regolari. Vedere "Scelta dei recipienti di cottura adatti". Vedere "Cura e pulizia".
Alcune pentole fanno rumori tipo crepitio o schiocco.	Questo fenomeno potrebbe essere causato dalla struttura dei recipienti di cottura (strati di diversi metalli che vibrano diversamente).	Questo è normale per i recipienti di cottura e non indica un'anomalia.
Il piano di cottura a induzione emette un piccolo rumore sordo quando viene utilizzato con l'impostazione di riscaldamento.	Questo fenomeno è causato dalla tecnologia della cottura a induzione.	È del tutto normale, ma il rumore dovrebbe attutirsi o scomparire completamente quando si diminuisce l'impostazione di riscaldamento.
Rumore della ventola del piano di cottura a induzione.	Una ventola di raffreddamento presente all'interno del piano di cottura a induzione si è accesa per evitare che l'elettronica si surriscaldi. Può continuare a funzionare anche una volta spento il piano di cottura a induzione.	È un fenomeno normale e non richiede alcun intervento. Non togliere e ridare alimentazione al piano di cottura a induzione dalla parete se la ventola sta funzionando.

Le padelle non si riscaldano e il display visualizza  .	<p>Il piano di cottura a induzione non è in grado di rilevare la padella in quanto questa non è adatta per la cottura a induzione.</p> <p>Il piano di cottura a induzione non è in grado di rilevare la padella perché questa è troppo piccola per la zona di cottura oppure non è perfettamente centrata su di essa.</p>	<p>Utilizzare recipienti di cottura adatti per la cottura a induzione. Vedere la sezione "Scelta dei recipienti di cottura adatti".</p> <p>Centrare la padella ed accertarsi che la base corrisponda alle dimensioni della zona di cottura.</p>
Il piano di cottura a induzione o la zona di cottura si sono spenti inaspettatamente, si attiva un segnale acustico e viene visualizzato un codice di errore (di solito alternato con una o due cifre sul display del timer di cottura).	Guasto tecnico.	Annotare le lettere e i numeri dell'errore, togliere alimentazione al piano di cottura a induzione dalla parete e contattare un tecnico qualificato.

Non cercare mai di smontare da soli l'elettrodomestico.

Display di anomalie e controllo

Se si evidenzia un'anomalia, il piano di cottura a induzione si posiziona in autoprotezione automaticamente e visualizza i seguenti codici di protezione:

Problema	Possibili cause	Rimedio
F3-F8	Anomalia sensore di	Contattare il fornitore.
F9-FE	Anomalia del sensore di temperatura del riscaldatore a induzione IGBT.	Contattare il fornitore.
E1/E2	Tensione d'alimentazione anomala	Verificare se l'alimentazione elettrica è corretta. L'accensione dopo l'alimentazione è normale.
E3/E4	Temperatura anomala	Verificare la pentola.
E5/E6	Irraggiamento di calore sul piano di cottura a induzione non corretto.	Fare ripartire una volta che il piano di cottura a induzione si è raffreddato.

Le considerazioni di cui sopra derivano dalla valutazione e dal controllo delle anomalie comuni.

Non smontare da soli l'elettrodomestico per evitare rischi e danni al piano di cottura a induzione.

Specifiche tecniche

Piano cottura	CDI 30
Zone di cottura	2 zone
Tensione di alimentazione	220-240 V/60 Hz
Potenza elettrica installata	3500 W
Dimensioni prodotto Lun×Lar×Alt(mm)	288x520x56
Dimensioni con incasso Ax B (mm)	268x500

Il peso e le dimensioni sono approssimativi. Le specifiche e il design potranno variare senza preavviso in quanto siamo sempre impegnati nella ricerca di continue innovazioni dei nostri prodotti.

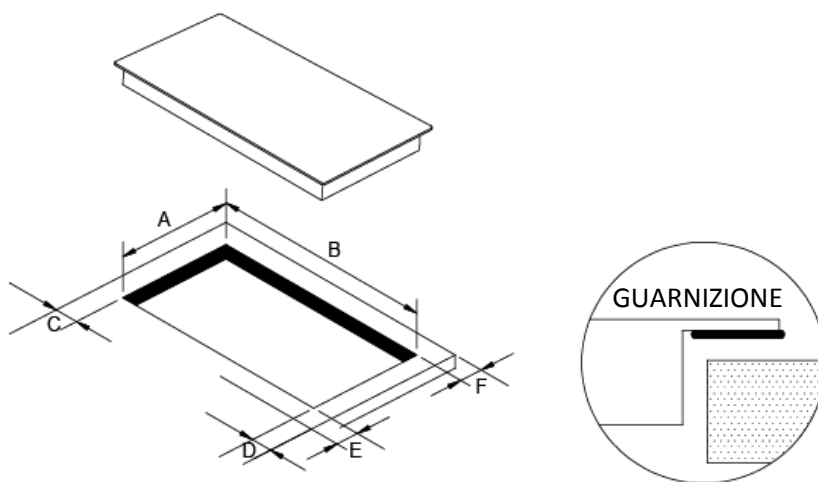
Installazione

Scelta delle attrezzature di installazione

Tagliare il supporto rispettando le misure indicate sul disegno.

Per l'installazione e l'uso è necessario lasciare uno spazio libero intorno al foro pari ad almeno 5 cm.

Assicurarsi che lo spessore del supporto corrisponda ad almeno 30 mm. Selezionare il materiale del supporto in modo che sia resistente alle alte temperature per evitare che si deformi a causa del calore proveniente dal piano di cottura. Come illustrato qui di seguito:

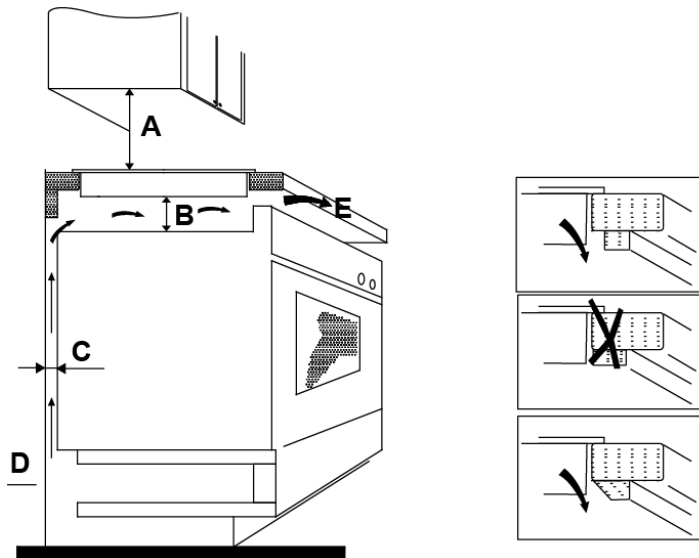


A (mm)	B (mm)	C (mm)	D (mm)	E (mm)	F (mm)
268+4 -0	500+4 -0	minimo 50	minimo 50	minimo 50	minimo 50

Assicurarsi sempre che il piano di cottura a induzione sia ben ventilato e che entrata ed uscita dell'aria non siano ostruite. Assicurarsi che il piano di cottura a induzione sia in buone condizioni operative. Come illustrato qui di seguito



Nota: Tra il piano di cottura e l'eventuale elemento superiore deve essere prevista una distanza di sicurezza pari ad almeno 760 mm.



A (mm)	B (mm)	C (mm)	D	E
760	minimo 50	minimo 30	Entrata aria	Uscita aria 10 mm

Prima di montare il piano di cottura, assicurarsi che

- il supporto sia squadrato e livellato e che non ci siano elementi strutturali che possano interferire con i requisiti di spazio
- il supporto sia realizzato in materiale resistente al calore
- se il piano di cottura è installato al di sopra di un forno, il forno deve essere dotato di una ventola di raffreddamento incorporata
- l'installazione deve essere conforme a tutti i requisiti di ingombro, oltre che a tutte le normative e le disposizioni
- sia stato incorporato nel cablaggio permanente un apposito interruttore sezionatore che permetta di staccare completamente l'elettrodomestico dalla rete di alimentazione principale; tale interruttore deve essere montato e posizionato in accordo con le normative e le disposizioni locali in materia di impianti elettrici

L'interruttore sezionatore deve essere di tipo approvato e deve fornire una separazione dei contatti con intercapedine di 3 mm in tutti i poli (o in tutti i conduttori attivi [fase] se le normative sugli impianti elettrici locali permettono questa variazione rispetto alle specifiche).

- l'interruttore sezionatore deve essere facilmente raggiungibile dal cliente una volta installato il piano di cottura
- in caso di dubbi relativi al montaggio, contattare le autorità locali e consultare le normative vigenti
- si utilizzino rivestimenti resistenti al calore e facili da pulire (quali ad esempio piastrelle ceramiche) per le pareti circostanti il piano di cottura.

Una volta montato il piano di cottura, assicurarsi che

- il cavo di alimentazione elettrica non sia accessibile attraverso gli sportelli o i cassetti dei mobiletti
- sia presente un flusso adeguato di aria fresca dall'esterno dei mobiletti verso la base del piano di cottura
- se il piano di cottura è montato sopra ad una cassetteria o a dei mobiletti, sia stata installata una barriera di protezione termica al di sotto della base del piano di cottura
- l'interruttore sezionatore sia facilmente accessibile per il cliente.

Prima di posizionare le staffe di fissaggio

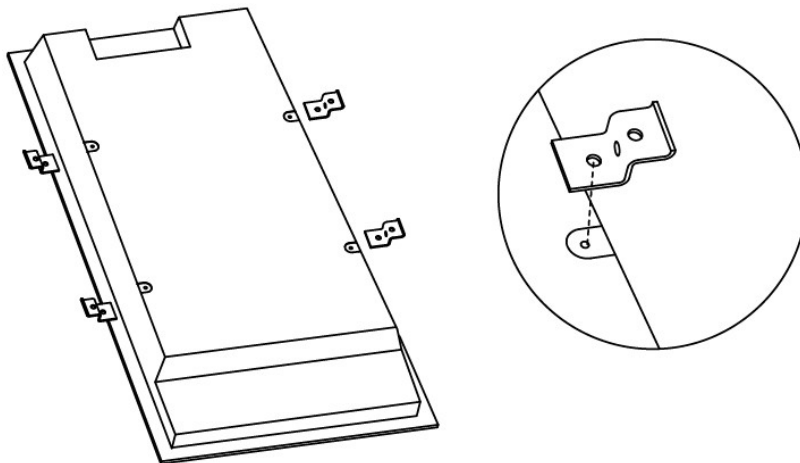
L'elettrodomestico deve essere collocato su una superficie piana e stabile (utilizzare l'imballaggio).

Non forzare i comandi che sporgono dal piano di cottura.

Regolazione della posizione della staffa

Fissare il piano di cottura sul supporto avvitando 4 staffe sul fondo del piano di cottura stesso (vedere figura) dopo il montaggio.

Regolare la posizione della staffa per adattarla ai diversi spessori del piano di cottura.



Avvertenza

1. Il piano di cottura a induzione deve essere montato da personale o tecnici qualificati. La nostra società ha un team di professionisti a disposizione dei clienti. Non operare mai da soli.
2. Il piano di cottura non può essere montato direttamente sopra ai seguenti elettrodomestici: lavastoviglie, frigorifero, freezer, lavatrice o asciugatrice, in quanto l'umidità può danneggiare l'elettronica del piano di cottura stesso.

3. Il piano di cottura a induzione dovrà essere montato in modo tale da garantire un migliore irraggiamento del calore e un livello di affidabilità più elevato.
4. La parete e la zona di cottura indotta al di sopra della superficie del piano dovranno essere resistenti al calore.
5. Per evitare danni, lo strato intermedio e l'adesivo devono essere resistenti al calore.

Collegamento del piano di cottura alla rete di alimentazione elettrica



Questo piano di cottura deve essere collegato alla rete di alimentazione elettrica solo da una persona appositamente addestrata.

Prima di collegare il piano di cottura alla rete di alimentazione elettrica, verificare che:

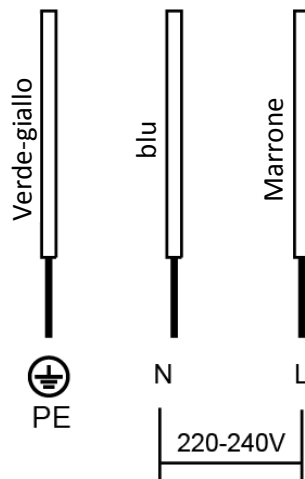
1. il cablaggio interno dell'abitazione sia adeguato alla potenza consumata dal piano di cottura
2. la tensione corrisponda al valore riportato sulla targhetta delle caratteristiche tecniche
3. le sezioni del cavo di alimentazione elettrico possano sopportare il carico specificato sulla targhetta delle caratteristiche tecniche. Per collegare il piano di cottura alla rete di alimentazione elettrica non utilizzare adattatori, riduttori o deviatori, in quanto sussiste il pericolo di surriscaldamenti e incendi.

Il cavo di alimentazione elettrica non deve entrare in contatto con componenti surriscaldati e deve essere collocato in modo tale che la sua temperatura non superi mai, in nessun punto, i 75°C.



Verificare con un elettricista se l'impianto di cablaggio domestico sia corretto senza necessità di modificarlo. Le eventuali modifiche dovranno sempre essere effettuate da un elettricista qualificato.

L'alimentazione elettrica deve essere collegata in conformità con la relativa normativa o un interruttore automatico unipolare. Il metodo di collegamento è illustrato qui di seguito.



- Se il cavo è danneggiato o deve essere sostituito, l'operazione deve essere effettuata da un agente post-vendita con attrezzi dedicati, per evitare qualsiasi incidente.
- Se l'elettrodomestico è collegato direttamente alla rete è necessario montare un interruttore automatico multipolare con un'apertura minima di 3 mm tra i contatti.
- L'installatore deve accertarsi che il collegamento elettrico sia corretto e che sia conforme alle normative di sicurezza.
- Il cavo non deve essere piegato o schiacciato.
- Il cavo deve essere controllato con regolarità e sostituito unicamente da tecnici autorizzati.
- Il cavo giallo/verde del cavo di alimentazione elettrica deve essere collegato alla terra dell'alimentazione elettrica ed ai morsetti dell'elettrodomestico.
- Il produttore non può essere ritenuto responsabile per eventuali incidenti derivanti dall'uso di un elettrodomestico non collegato a terra, oppure con una continuità di collegamento di terra non funzionante.
- Se l'elettrodomestico ha un'uscita a presa, deve essere installato in modo che tale uscita sia accessibile.



SMALTIMENTO: Non smaltire questo prodotto come rifiuto urbano indifferenziato. È necessaria una raccolta speciale di tali rifiuti per sottoporli ad un trattamento speciale.

Questo elettrodomestico dispone di contrassegno ai sensi della Direttiva Europea 2002/19/CE in materia di Rifiuti di apparecchiature elettriche e elettroniche - RAEE (Waste Electrical and Electronic Equipment - WEEE). Il corretto smaltimento di questo elettrodomestico permette di evitare possibili danni all'ambiente e alla salute dell'uomo.

Il simbolo sul prodotto indica che non può essere trattato come normale rifiuto domestico. Deve essere consegnato ad un punto di raccolta appropriato per il riciclaggio di dispositivi elettrici ed elettronici.

Questo elettrodomestico richiede uno smaltimento specializzato. Per ulteriori informazioni relative al trattamento, al recupero ed al riciclaggio di questo prodotto, si consiglia di contattare il proprio comune, il proprio servizio di smaltimento rifiuti domestici o il negozio presso il quale è stato acquistato.

Per informazioni più dettagliate relative al trattamento, al recupero ed al riciclaggio di questo prodotto, si consiglia di contattare il proprio ufficio comunale, il proprio servizio di smaltimento rifiuti domestici o il negozio presso il quale è stato acquistato il prodotto.

En plaçant notre **CE** marque sur ce produit, nous déclarons, sous notre seule responsabilité, que ce produit est conforme à toutes les exigences européennes de sécurité, santé et environnement prescrites par la loi.

Avertissements de sécurité

Votre sécurité est importante pour nous. Veuillez lire ces informations avant d'utiliser votre plaque.

Installation

Risque d'électrocution

- Débranchez l'appareil du secteur avant de procéder à un quelconque travail ou opérations d'entretien.
- La connexion sur un bon système de mise à la terre est essentielle et obligatoire.
- Seul un électricien qualifié est autorisé à modifier le système de câblage domestique.
- Si vous ne suivez pas ce conseil vous vous exposez à un risque d'électrocution ou de mort.

Risque de coupure

- Faites attention - les bords du panneau sont coupants.
- Si vous ne faites pas attention vous risquez de vous blesser ou de vous couper.

Informations importantes sur la sécurité

- Lisez ces instructions attentivement avant d'installer ou d'utiliser cet appareil.
- Ne posez jamais aucun matériau ou produit combustible sur cet appareil.
- Donnez ces informations à la personne chargée d'installer l'appareil afin de réduire éventuellement les coûts d'installation.
- Afin d'éviter les risques, installez cet appareil en suivant ces instructions d'installation.
- Cet appareil ne doit être correctement installé et mis à la terre que par une personne dûment qualifiée.
- Cet appareil doit être branché sur un circuit équipé d'un disjoncteur offrant une déconnexion totale du secteur.
- Si l'appareil n'est pas installé correctement, vous risquez d'annuler toutes les garanties et demandes d'indemnisation.

Fonctionnement et entretien Risque d'électrocution

- Ne cuisinez pas sur une plaque cassée ou fissurée. Si la plaque se brise ou se fissure, déconnectez immédiatement l'appareil du secteur (interrupteur mural) et faites appel à un technicien qualifié
- Eteignez la plaque avec l'interrupteur mural avant de procéder aux opérations de nettoyage ou d'entretien.
- Si vous ne suivez pas ce conseil vous vous exposez à un risque d'électrocution ou de mort.

Risque pour la santé

- Cet appareil est conforme aux normes de sécurité électromagnétique.
- Cependant toute personne portant un pacemaker ou un autre implant électrique (par ex. une pompe à insuline) doit consulter son médecin ou le fabricant de son implant avant d'utiliser cet appareil afin d'avoir la certitude que dit implant ne sera pas affecté par le champ électromagnétique.
- Si vous ne suivez pas ce conseil vous vous exposez à un risque de mort.

Risque dû à une surface chaude

- Pendant l'utilisation, les parties accessibles de cet appareil deviennent assez chaudes pour causer des brûlures.
- Ne laissez pas votre corps, vos vêtements ou tout autre objet autre que les casseroles entrer en contact avec la vitre à induction tant que la surface n'est pas froide.
- Attention: les objets métalliques magnétisables portés sur le corps deviennent chauds à proximité de la plaque de cuisson. Les bijoux en or ou en argent ne sont pas affectés.
- Maintenez les enfants à l'écart de l'appareil
- Les manches des casseroles peuvent devenir chauds au toucher. Veillez à ce que les manches de casserole ne se trouvent pas au-dessus des zones de cuisson activées. Maintenez les manches hors de portée des enfants.
- Si vous ne suivez pas ce conseil vous risquez de vous brûler ou de vous ébouillanter.

Risque de coupure

- La lame du racloir de plaque, coupante comme une lame de rasoir, est à nue lorsque le couvercle de sécurité est rétracté.
- Si vous ne faites pas attention vous risquez de vous blesser ou de vous couper.

Informations importantes sur la sécurité

- Ne laissez jamais l'appareil sans surveillance lorsqu'il est utilisé. Les débordements causent de la fumée et des résidus graisseux qui peuvent s'enflammer.
- N'utilisez jamais votre appareil comme plan de travail ou de rangement.
- Ne laissez jamais d'objets ou d'ustensiles sur l'appareil.
- Ne posez et ne laissez pas d'objets magnétisables (par ex. cartes de crédit, cartes mémoire) ou dispositifs électroniques (par ex. ordinateurs, lecteurs de MP3) à proximité de l'appareil car ils peuvent être affectés par son champ électromagnétique.
- N'utilisez jamais votre appareil pour chauffer ou réchauffer la pièce.
- Après l'usage, éteignez toujours les zones de cuisson et la plaque de la façon décrite dans ce manuel (par ex. à l'aide des commandes tactiles). Ne comptez pas sur la fonction de détection de panne pour éteindre les zones de cuisson lorsque vous retirez les casseroles.
- Ne laissez pas les enfants jouer avec l'appareil, s'y asseoir ou y

- monter dessus.
- Ne rangez aucun objet intéressant les enfants dans les placards au-dessus de l'appareil. En montant sur la plaque de cuisson les enfants pourraient se blesser grièvement.
 - Ne laissez pas les enfants seuls ou sans surveillance dans l'endroit où l'appareil est utilisé.
 - Une personne responsable et compétente doit instruire sur l'usage de l'appareil les enfants ou les personnes ayant un handicap qui limite leur capacité d'utiliser l'appareil. L'instructeur doit avoir la certitude qu'ils sont en mesure d'utiliser l'appareil sans danger pour eux-mêmes ou leur entourage.
 - Ne réparez et ne remplacez pas des parties de l'appareil à moins que le manuel ne le conseille spécifiquement. Toutes les autres opérations de dépannage ne doivent être faites que par un technicien qualifié.
 - N'utilisez pas de nettoyeur à vapeur pour nettoyer la plaque.
 - Ne posez ou ne laissez tomber aucun objet lourd sur votre plaque,
 - Ne vous tenez pas debout sur votre plaque.
 - N'utilisez pas de casseroles aux bords ébréchés et de traînez pas les casseroles sur la surface de la vitre d'induction pour ne pas la rayer.
 - N'utilisez pas d'éponge à récurer ni de détergers abrasifs durs pour nettoyer votre plaque car ils risqueraient de rayer la vitre d'induction.
 - Si le cordon d'alimentation est endommagé, il doit être remplacé exclusivement par un technicien qualifié.
 - Cet appareil est conçu uniquement pour un usage domestique.
 - Cet appareil peut être utilisé par les enfants de plus de 8 ans et des personnes ayant des capacités physiques, sensorielles ou mentales réduites ou manquant d'expérience et de connaissance, à condition d'avoir été instruits sur l'usage sûr de l'appareil et d'avoir compris les risques impliqués. Les enfants ne doivent pas jouer avec l'appareil. Le nettoyage et l'entretien ne doivent pas être effectués par des enfants sans surveillance.
 - **AVERTISSEMENT:** Il peut être dangereux de cuire sur la plaque sans surveillance avec de la graisse ou de l'huile car cela pourrait causer un incendie. N'essayez JAMAIS d'éteindre un incendie avec de l'eau, mais éteignez l'appareil et couvrez la flamme, par ex. avec un couvercle ou une couverture anti-feu.
 - Ne posez pas sur la plaque des objets métalliques, tels que couteaux, fourchettes, cuillères et couvercles car ils peuvent devenir chauds.
 - Après l'usage, éteignez la plaque avec sa commande et ne comptez pas sur le détecteur de casserole.
 - L'appareil n'est pas conçu pour être actionné par une minuterie extérieure ni par un système de télécommande séparé.

Félicitations pour avoir acheté votre nouvelle plaque à induction.

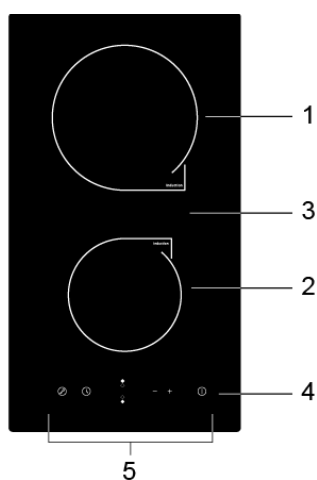
Nous vous recommandons de lire attentivement ce Manuel d'installation/utilisation afin de bien comprendre comment l'installer et l'utiliser correctement.

Pour l'installation, veuillez lire la section Installation.

Lisez attentivement les instructions de sécurité avant de l'utiliser et rangez ce Manuel d'instruction/installation de façon à pouvoir le consulter par la suite.

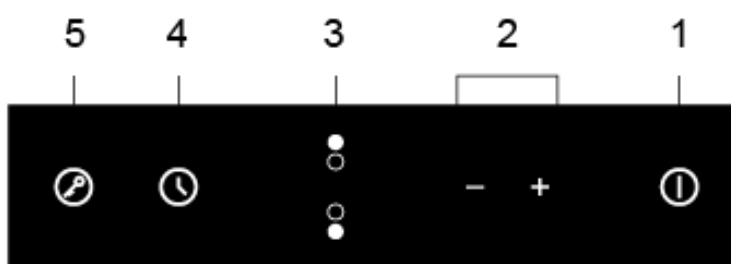
Vue d'ensemble du produit

Vue d'en haut



1. zone 2000 W maxi
2. zone 1500 W maxi
3. Plaque vitrée
4. Touche de Marche/Arrêt :
5. Panneau de commande

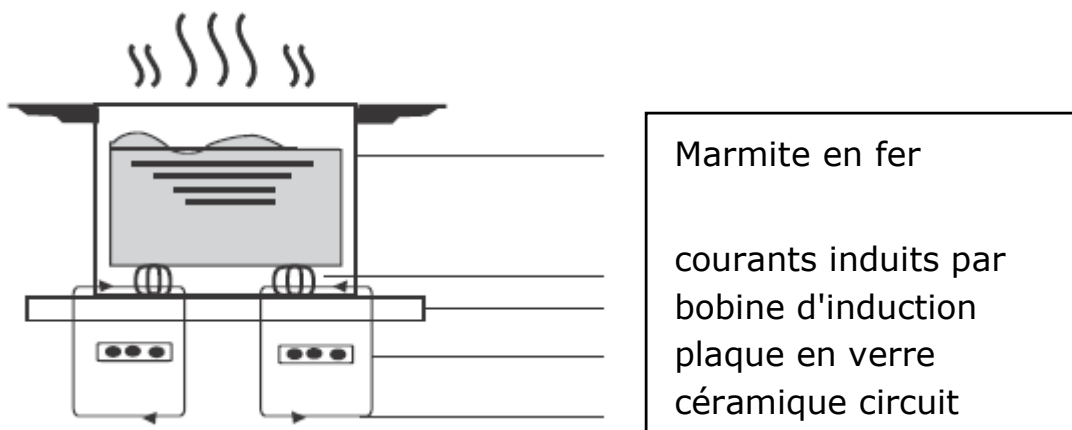
Panneau de commande



1. Touche de Marche/Arrêt :
2. Touches de réglage puissance/minuterie
3. Touches de sélection de la zone de chauffage
4. Touche minuterie
5. Touche verrouillage

Quelques mots sur la cuisson à induction

La cuisson à induction est une technologie de cuisson sûre, de pointe, efficace et économique. Elle exploite les vibrations électromagnétiques pour générer de la chaleur directement sur la casserole plutôt que indirectement en chauffant la surface vitrée. La vitre ne chauffe que parce que la casserole la chauffe.

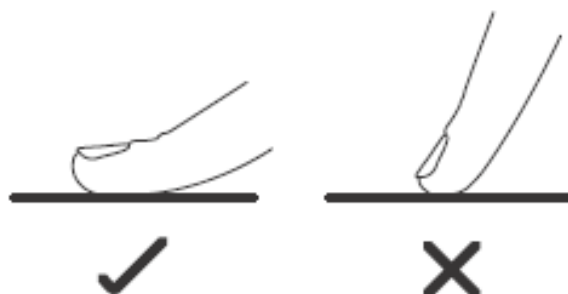


Avant d'utiliser votre nouvelle cuisinière à induction

- Lisez ce guide et en particulier la section Avertissements de sécurité
- Retirez le film protecteur qui peut encore se trouver sur votre plaque à induction.


Utilisation des commandes tactiles

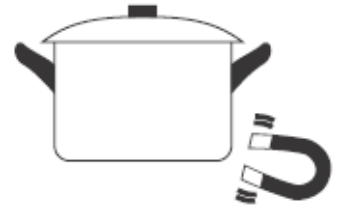
- Les commandes répondent au toucher, il est donc inutile d'appuyer avec force.
- Servez-vous de la pulpe du doigt, pas de la pointe.
- Vous entendrez un bip chaque fois qu'un contact est enregistré.
- Veillez à ce que les touches soient toujours propres, sèches et à ce qu'elles ne soient pas couvertes par un objet (tel que ustensile, torchon). Même une fine pellicule d'eau peut empêcher les touches de fonctionner.



Choisir les bonnes casseroles



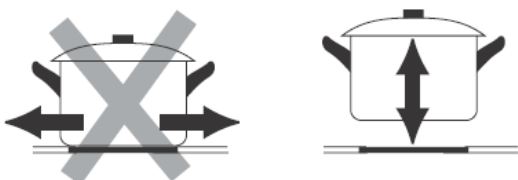
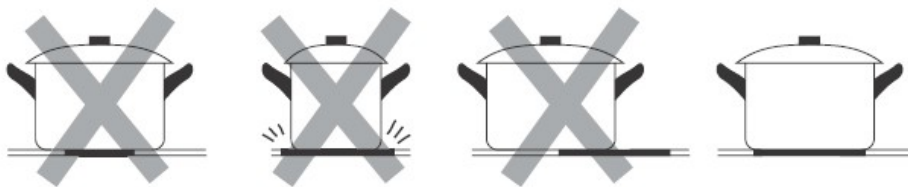
- N'utilisez que des casseroles ayant un fond adapté à la cuisson par induction. Cherchez le symbole induction sur l'emballage ou au fond de la casserole.
- Vous pouvez vérifier si votre casserole est adaptée en procédant à un test magnétique. Déplacez un aimant vers le fond de la casserole. S'il est attiré, la casserole est adaptée à la cuisson par induction.
- Si vous n'avez pas d'aimant:
 1. Mettez un peu d'eau dans la casserole que vous voulez vérifier.
 2. Si  ne clignote pas sur l'afficheur et que l'eau se réchauffe, la casserole est adaptée.
- Les casseroles faites dans les matériaux suivants ne sont pas adaptées: acier inox pur, aluminium ou cuivre sans fond magnétique, verre, bois, porcelaine, céramique et terre cuite.



N'utilisez pas de casseroles ébréchées ou à fond rond.



Vérifiez si le fond de votre casserole est lisse, s'il est à plat sur la vitre et s'il a la même dimension que la zone de cuisson. Utilisez des casseroles dont le diamètre est aussi grand que le dessin de la zone sélectionnée. Si vous utilisez une marmite légèrement plus grande l'énergie sera utilisée à son rendement maximum. Si vous utilisez une marmite plus petite, le rendement risque d'être inférieur aux attentes. Une marmite de moins de 140 mm risque de ne pas être détectée par la plaque. Centrez toujours votre casserole sur la zone de cuisson.



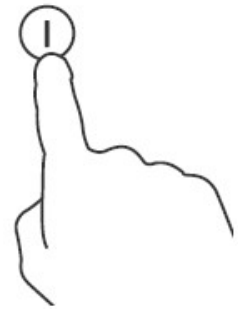
Soulevez toujours la casserole de la plaque à induction - ne la faites pas glisser car elle pourrait rayer la vitre.

Utilisation de votre plaque à induction

Pour commencer à cuisiner

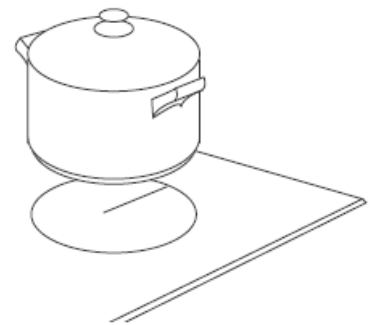
1. Touchez la commande de Marche/Arrêt.

Une fois sous tension, la sonnerie émet un bip, tous les affichages montrent "-" ou "--", pour signaler que la plaque à induction est en mode Attente.



2. Posez une casserole adaptée sur la zone de cuisson que vous voulez utiliser.

- Vérifiez si le fond de votre casserole et la surface de la zone de cuisson sont propres et secs.



3. Touchez la commande de sélection de la zone de chauffage et un indicateur au-dessus de la touche clignote.



4. Sélectionnez un réglage de la chaleur en touchant la commande "-" ou "+".

- Si vous ne choisissez pas un réglage dans la minute qui suit, la plaque à induction s'éteint automatiquement. Vous devez recommencer à partir du point 1.



- Vous pouvez modifier le réglage de la chaleur à tout moment pendant la cuisson.

Si l'afficheur clignote alternativement avec le réglage de la chaleur

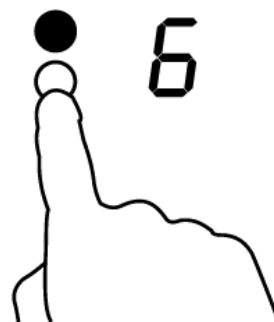
Cela signifie que:

- vous n'avez pas posé une casserole sur la zone de cuisson correcte, ou
- vous utilisez une casserole non adaptée à la cuisson par induction, ou
- la casserole est trop petite ou mal centrée sur la zone de cuisson

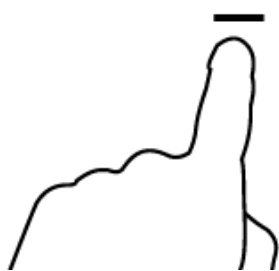
Le chauffage n'a pas lieu tant qu'il n'y a pas de casserole adaptée sur la zone de cuisson. L'afficheur s'éteint automatiquement après 2 minutes si si vous ne posez aucune casserole adaptée.

Quand la cuisson est achevée

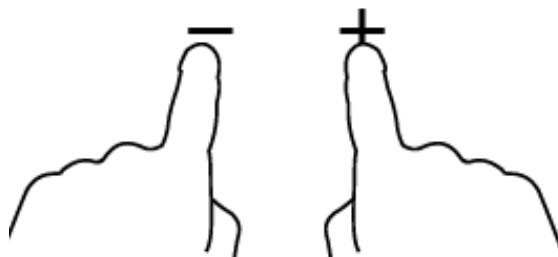
1. Toucher la commande de sélection de la zone de chauffage que vous voulez éteindre.



2. Eteignez la zone de chauffage en faisant défiler vers "0" ou en touchant ensemble "." et "+" Vérifiez si l'afficheur montre "0".



OR



3. Eteignez la plaque en touchant la commande de Marche/Arrêt.



4. Attention aux surfaces chaudes.

H s'affiche si la zone de cuisson est chaude au toucher. H disparaît lorsque la surface refroidit et que la température est plus sûre. Cette fonction peut aussi servir à économiser de l'énergie si vous voulez chauffer d'autres casseroles en utilisant la plaque pendant qu'elle est encore chaude.



Verrouillage des commandes

- Vous pouvez verrouiller les commandes pour empêcher tout usage involontaire (par ex. des enfants qui allument par erreur les zones de cuisson)
- Lorsque les commandes sont verrouillées, toutes les commandes sauf celle de Marche/Arrêt sont désactivées.

Pour verrouiller les commandes

Touchez la commande de verrouillage. L'indicateur de la minuterie affiche "Lo".

Pour déverrouiller les commandes

1. Touchez pendant un moment la commande de verrouillage.
2. A présent vous pouvez utiliser votre plaque à induction.



Lorsque la plaque est en mode verrouillé, toutes les commandes sont désactivées sauf celle de Marche/Arrêt; vous pouvez toujours éteindre la plaque à induction avec la commande de Marche/Arrêt en cas d'urgence, mais vous devrez commencer par déverrouiller la plaque lors de la prochaine utilisation.

Protection contre les températures trop élevées

Un capteur de température équipé peut surveiller la température à l'intérieur de la plaque à induction. S'il détecte une température trop élevée, la plaque à induction cesse automatiquement de fonctionner.

Détection des petits objets

Si vous laissez une casserole de dimension inadaptée ou non-magnétique (par ex. en aluminium) ou un autre petit objet (par ex, un couteau, une fourchette, une clé) sur la plaque, la zone se met automatiquement en Attente pendant 1 minute. Le ventilateur continuera à refroidir la plaque à induction pendant 1 minute.

Protection d'arrêt automatique

L'arrêt automatique est une fonction de protection de sécurité de votre plaque à induction. Elle s'arrête automatiquement si vous oubliez d'éteindre votre cuisinière. Les temps de travail par défaut des différents niveaux de puissance sont indiqués sur le tableau ci-dessous:

Niveau de puissance	1	2	3	4	5	6	7	8	9
Minuterie de travail par	8	8	8	4	4	4	2	2	2

Lorsque vous retirez la marmite, la plaque à induction cesse immédiatement de chauffer et la plaque s'éteint automatiquement après 2 minutes



Les personnes portant un pacemaker doivent consulter leur médecin avant d'utiliser cet appareil.

Utilisation de la minuterie

Vous pouvez utiliser la minuterie de deux façons différentes:

- Vous pouvez l'utiliser comme minuteur. Dans ce cas, la minuterie n'éteindra aucune zone de cuisson lorsque le temps configuré est écoulé.
- Vous pouvez la régler pour éteindre une zone de cuisson lorsque le temps configuré est écoulé.
- Vous pouvez régler la minuterie jusqu'à 99 minutes.

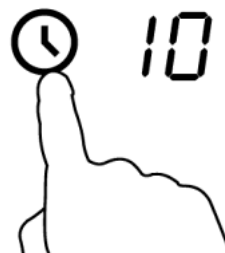
Utilisation de la minuterie comme minuteur

Si vous ne sélectionnez aucune zone de cuisson

1. Vérifiez si la plaque de cuisson est allumée.

Remarque: vous pouvez utiliser le minuteur même si vous n'avez sélectionné aucune zone de cuisson.

2. Touchez la commande de la minuterie, l'indicateur du minuteur commence à clignoter et "10" apparaît sur l'afficheur de la minuterie.



3. Réglez le temps en touchant la commande "-" ou "+" de la minuterie.

Truc: Touchez la commande "-" ou "+" de la minuterie une fois pour diminuer ou augmenter de 1 minute.

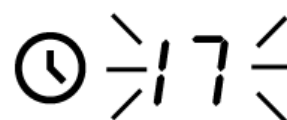
Maintenez la commande "-" ou "+" de la minuterie pour diminuer ou augmenter de 10 minutes.

Si le temps du réglage dépasse 99 minutes, la minuterie revient automatiquement à 00 minute.

4. Si vous touchez en même temps les touches "-" et "+", la minuterie s'efface et "00" apparaît sur l'afficheur des minutes.



5. Lorsque le temps est réglé, le décompte commence immédiatement. L'afficheur montre le temps restant et l'indicateur de la minuterie clignote pendant 5 secondes.

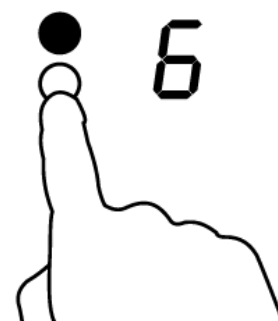


6. La sonnerie retentit pendant 30 secondes et l'indicateur de la montre "--" lorsque le temps configuré est écoulé.

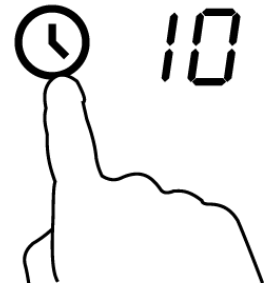


Réglage de la minuterie pour éteindre une zone de cuisson

1. Touchez la commande de sélection de la zone de chauffage pour laquelle vous voulez régler la minuterie.



2. Touchez la commande de la minuterie, l'indicateur du minuteur commence à clignoter et "10" apparaît sur l'afficheur de la minuterie.



3. Réglez le temps en touchant la commande "-" ou "+" de la minuterie.

Truc: Touchez la commande "-" ou "+" de la minuterie une fois pour diminuer ou augmenter de 1 minute.

Touchez et maintenez la commande "-" ou "+" de la minuterie, le temps diminue ou augmente de 10 minutes.

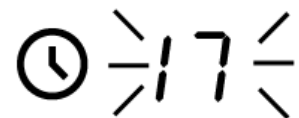


Si le temps du réglage dépasse 99 minutes, la minuterie revient automatiquement à 00 minute.

4. Si vous touchez en même temps les touches "-" et "+", la minuterie s'efface et "00" apparaît sur l'afficheur des minutes.



5. Lorsque le temps est réglé, le décompte commence immédiatement. L'afficheur montre le temps restant et l'indicateur de la minuterie clignote pendant 5 secondes.



REMARQUE: Le point rouge près de l'indicateur du niveau de puissance s'éclaire pour indiquer que la zone est sélectionnée.



6. Lorsque le temps de cuisson est écroulé, la zone de cuisson correspondante s'éteint automatiquement.



Les autres zones de cuisson continuent à fonctionner si elles sont déjà allumées.

Indications de cuisson



Faites attention si vous faites une friture car l'huile et la graisse chauffent très rapidement, surtout si vous utilisez la fonction PowerBoost. Si la température est extrêmement élevée, l'huile et la graisse s'enflamment spontanément et le risque d'incendie est sérieux.

Astuces de cuisson

- Lorsque les aliments commencent à bouillir, diminuez la température.
- Utilisez un couvercle pour réduire le temps de cuisson et économiser de l'énergie en conservant la chaleur.
- Utilisez le moins de liquide ou de graisse possible afin de réduire les temps de cuisson.
- Commencez la cuisson avec une température élevée et réduisez ensuite la température lorsque les aliments sont parfaitement chauffés.

Frémir, cuire le riz

- Un liquide de cuisson frémit au-dessous du point d'ébullition, à environ 85°C, lorsque des bulles montent de temps en temps à sa surface. C'est le secret de soupes délicieuses et de tendres ragoûts car les arômes se développent sans trop cuire les aliments. Vous devez aussi cuire les sauces à base d'œufs et celles épaissies à la farine au-dessous du point d'ébullition.
- Certaines opérations, y compris la cuisson du riz par absorption, peut demander un réglage plus élevé que le réglage le plus bas afin que le riz soit parfaitement cuit au terme du temps recommandé

Saisir un steak

Pour cuisiner des steaks juteux et savoureux:

1. Laissez la viande à la température ambiante pendant environ 20 minutes avant de la cuire.
2. Chauffez une poêle à frire à fond épais.
3. Frottez les deux côtés du steak avec de l'huile. Versez un filet d'huile dans la poêle chaude et posez la viande sur la poêle chaude.
4. Retournez le steak une seule fois pendant la cuisson. Le temps de cuisson exact dépend de l'épaisseur du steak et du degré de cuisson voulu. Le temps peut varier entre 2 et 8 minutes de chaque côté. Pressez sur le steak pour évaluer son degré de cuisson - plus il est ferme plus il est cuit à

point.

5. Laissez le steak reposer sur un plat chaud pendant quelques minutes pour le laisser se détendre et devenir bien tendre avant de servir.

Pour faire sauter

1. Choisissez un wok à fond plat adapté à la plaque à induction ou une grande poêle à frire.
2. Préparez à l'avance tous les ingrédients et les ustensiles. Vous devez faire sauter rapidement. Si vous devez cuire de grosses quantités, faites-le en plusieurs reprises.
3. Préchauffez rapidement la poêle et ajoutez deux cuillerées à soupe d'huile.
4. Faites cuire d'abord la viande, mettez de côté et maintenez au chaud.
5. Faire sauter les légumes verts. Lorsqu'ils sont chauds et encore croquants, réglez plus bas la zone de cuisson, remettez la viande dans la poêle et ajoutez la sauce.
6. Remuez doucement les ingrédients pour qu'ils soient bien chauds.
7. Servez immédiatement.

Réglages de la chaleur

Les réglages ci-dessous ne sont que des indications. Le réglage exact dépend de plusieurs facteurs, y compris votre type de casserole et la quantité que vous cuisinez. Faites des tentatives avec votre plaque à induction afin de trouver les réglages qui vous conviennent.

Réglages de la chaleur	Adaptabilité
1 - 2	<ul style="list-style-type: none">• chauffer délicatement de petites quantités d'aliments.• faire fondre du chocolat, du beurre et pour les aliments qui brûlent vite• frémir délicatement• chauffer lentement
3 - 4	<ul style="list-style-type: none">• réchauffer• frémir rapidement• cuire le riz
5 - 6	<ul style="list-style-type: none">• crêpes
7 - 8	<ul style="list-style-type: none">• sautés• cuire des pâtes
9	<ul style="list-style-type: none">• faire sauter

- revenir à feu vif
- porter la soupe à ébullition
- bouillir de l'eau

Entretien et nettoyage

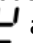
Les réglages ci-dessous ne sont que des indications. Le réglage exact dépend de plusieurs facteurs, y compris votre type de casserole et la quantité que vous cuisinez. Faites des tentatives avec votre plaque à induction afin de trouver les réglages qui vous conviennent.

Quoi?	Comment?	Important!
Saleté quotidienne sur la vitre (empreintes de doigts, marques, taches laissées par les aliments ou débordements non-sucrés sur la vitre).	<ol style="list-style-type: none"> 1. Mettez hors tension la plaque. 2. Appliquez un nettoyant spécial plaque de cuisson pendant que la vitre est encore chaude (mais pas trop chaude!) 3. Rincez et séchez avec un chiffon propre ou du papier absorbant. 4. Mettez à nouveau la plaque sous tension. 	<ul style="list-style-type: none"> • Lorsque la cuisinière est hors tension, il n'y a pas d'indication de surface chaude mais la zone peut être encore chaude! Faites très attention. • Les éponges à récurer très dures, certaines éponges à récurer en nylon et les détersifs abrasifs/durs peuvent rayer la vitre. Lisez toujours l'étiquette pour vérifier si votre détersif ou votre éponge sont appropriés. • Ne laissez jamais de résidus de détersifs sur la plaque: la vitre pourrait se tacher.
Débordements, aliments fondus et débordements de sucre chauds sur la vitre	<p>Eliminez-les immédiatement avec une spatule, un couteau palette ou un grattoir à lame de rasoir spécial plaque de cuisson induction, mais faites attention aux surface des zones de cuisson:</p> <ol style="list-style-type: none"> 1. Mettez hors tension la plaque avec l'interrupteur mural. 2. Tenez la lame ou l'ustensile incliné à 30° et grattez la saleté ou le débordement vers une zone froide de la plaque de cuisson. 3. Nettoyez la saleté ou le débordement avec un torchon ou du papier absorbant. 4. Suivez les points de 2 à 4 pour Saleté quotidienne sur la vitre, ci-dessus. 	<ul style="list-style-type: none"> • Eliminez dès que possible les taches laissées par les aliments fondus ou sucrés ou les débordements. Si elles refroidissent sur la vitre, elles peuvent être difficiles à éliminer ou même endommager définitivement la surface vitrée. • Risque de coupure: lorsque le couvercle de sécurité est rétracté, la lame du racloir est coupante comme une lame de rasoir. Faites très attention et rangez toujours en sécurité et hors de portée des enfants.
Débordements sur les commandes tactiles.	<ol style="list-style-type: none"> 1. Mettez hors tension la plaque de cuisson. 2. Humidifiez les débordements 3. Essuyez la zone de la commande tactile avec une éponge ou un chiffon propre et humide. 	<ul style="list-style-type: none"> • La plaque peut émettre un bip et s'éteindre toute seule et les commandes tactiles peuvent ne pas fonctionner lorsqu'il y a du liquide sur elles. Veillez à essuyer complètement la zone de la touche tactile avant de rallumer la plaque de cuisson.

	<p>4. Essuyez complètement la zone avec du papier absorbant.</p> <p>5. Mettez à nouveau la plaque sous tension.</p>	
--	---	--

Trucs et astuces

Problème	Causes possibles	Que faire
La plaque à induction ne peut pas être allumée.	Pas de courant.	Vérifiez si la plaque d'induction est branchée sur l'alimentation électrique et si elle est sous tension. Vérifiez s'il y a une panne de courant chez vous ou dans votre quartier. Si vous avez tout vérifié et que le problème persiste, faites appel à un technicien qualifié.
Les commandes tactiles ne répondent pas.	Les commandes sont verrouillées.	Déverrouillez les commandes Consultez la section Utilisation de votre plaque à induction, pour en savoir davantage.
Les commandes tactiles sont difficiles à actionner.	Il peut y avoir une fine pellicule d'eau sur les commandes ou vous utilisez peut-être la pointe de votre doigt pour toucher les commandes.	Vérifiez si la zone de la commande tactile est sèche et utilisez la pulpe de votre doigt pour toucher les commandes.
La vitre est rayée.	Casserolles aux bords irréguliers. Utilisation de détergers ou d'éponge à récurer non appropriés ou abrasifs.	Utilisez des casseroles à fond plat et lisse. Consultez Choisir la bonne casserole. Consultez Entretien et nettoyage
Certaines casseroles émettent des craquements ou des cliquètements.	Ils peuvent être causés par leur construction (couches de différents métaux, qui vibrent différemment).	Cela est normal pour des casseroles et ce n'est pas un défaut.
La plaque à induction vrombit légèrement lorsque le réglage de la chaleur est élevé.	Cela est imputable à la technologie de la cuisson par induction.	Cela est normal, mais le bruit devrait diminuer et cesser complètement si vous diminuez le réglage de la chaleur.

Bruit de ventilateur provenant de la plaque à induction.	Un ventilateur de refroidissement intégré à votre plaque à induction s'est mis en marche pour éviter que les parties électroniques ne surchauffent. Il peut continuer à fonctionner même après l'extinction de la plaque à induction.	Cela est normal et vous ne devez rien faire. Ne mettez pas hors tension la plaque induction avec l'interrupteur mural si le ventilateur est en marche.
Les poêles ne deviennent pas chaudes et  apparaît sur l'afficheur.	La plaque à induction ne peut pas détecter la poêle car elle n'est pas adaptée à la cuisson par induction. La plaque à induction ne peut pas détecter la poêle car elle est trop petite pour la zone de cuisson ou mal centrée sur celle-ci.	Utilisez des casseroles adaptées à la cuisson par induction. Consultez Choisir la bonne casserole. Centrez la poêle et veillez à ce que son fond ait la taille de la zone de cuisson.
La plaque à induction ou la zone de cuisson s'est éteinte à l'improviste, une sonnerie retentit et un code d'erreur s'affiche (généralement en alternance avec un ou deux chiffres sur l'afficheur de la minuterie de cuisson).	Panne technique.	Notez les numéros et les lettres de l'erreur, mettez la plaque à induction hors tension avec l'interrupteur mural et faites appel à un technicien qualifié.

N'essayez jamais de démonter vous-même l'appareil.

Panne de l'afficheur et inspection

Si une anomalie se présente, la plaque à induction se met automatiquement en état de protection et affiche les codes de protection correspondants:

Problème	Causes possibles	Que faire
F3-F8	Panne du capteur de température	Veillez contacter le fournisseur.
F9-FE	Panne du capteur de température de l'IGBT.	Veillez contacter le fournisseur.
E1/E2	Tension d'alimentation anormale.	Vérifiez si l'alimentation électrique est normale. Mettez sous tension si l'alimentation électrique est normale.
E3/E4	Température anormale	Inspectez la marmite.
E5/E6	Mauvaise chaleur de la plaque à induction plaque à induction de radiation	Redémarrez une fois que la a refroidi.

Ce qui précède n'est que le jugement et l'inspection des pannes courantes
Ne démontez pas l'appareil vous-même afin d'éviter les risques et
d'endommager la plaque à induction.

Caractéristiques techniques

Plaque à induction	CDI 30
Zones de cuisson	2 Zones
Tension d'alimentation	220-240V~ 50/60Hz
Puissance électrique installée	3500 W
Dimension de l'appareil LxIXh (mm)	288X520X56
Encombrement AxB (mm)	268X500

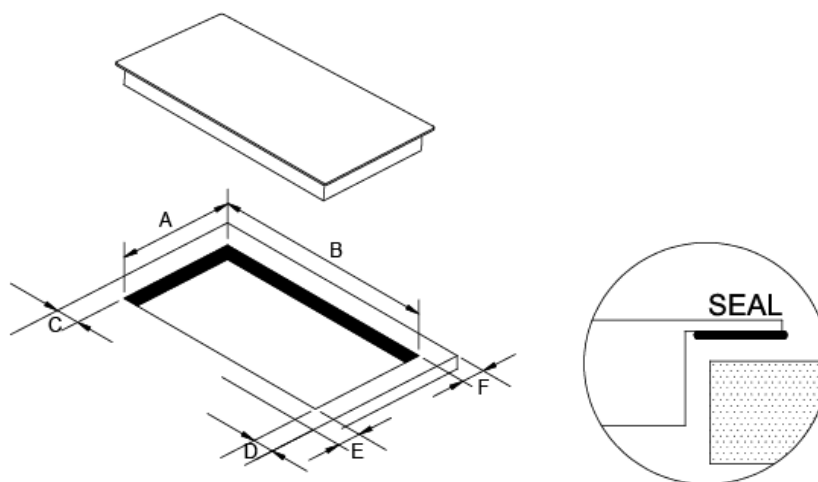
Le poids et les dimensions sont approximatifs. Comme nous nous efforçons constamment d'améliorer nos produits leurs caractéristiques et conceptions peuvent être modifiées sans préavis.

Installation

Choix de l'équipement d'installation

Découpez la surface de travail avec les dimensions indiquées sur le plan
Pour l'installation et l'utilisation il faut prévoir un espace minimum de 5 cm autour du trou.

Vérifiez si l'épaisseur de la surface de travail est égale à 30 mm minimum
Choisissez un matériau pour la surface de travail résistant à la chaleur afin d'éviter les déformations importantes causées par le rayonnement thermique provenant de la plaque chaude. Comme ci-dessous:

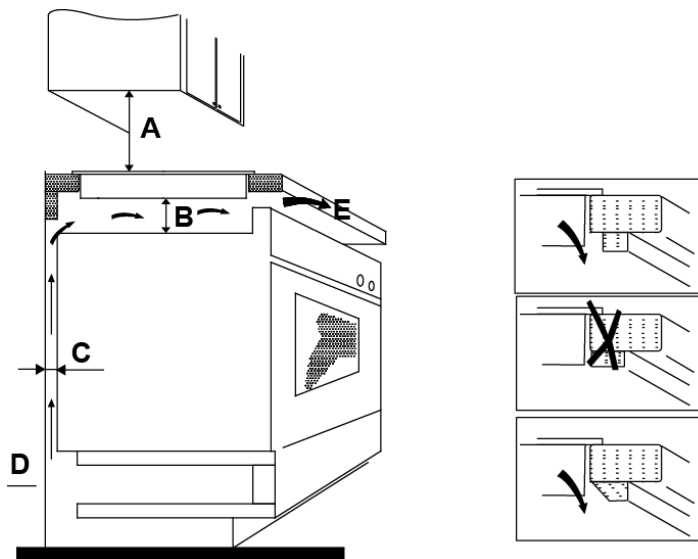


A(mm)	B(mm)	C(mm)	D(mm)	E(mm)	F(mm)
268+4 -0	500+4 -0	50mini	50 mini	50 mini	50 mini

Dans certains cas, vérifiez si la plaque de cuisson par induction est bien ventilée et si les bouches d'aspiration et de refoulement de l'air ne sont pas bouchées. Veillez à ce que la plaque de cuisson par induction soit en parfait état de fonctionnement. Comme ci-dessous:



Remarque : La distance de sécurité entre la plaque chaude et le placard situé au-dessus de la plaque chaude doit être d'au moins 760 mm.



A(mm)	B(mm)	C(mm)	D	E
760	50 mini	30 mini	Aspiration	Sortie de l'air 10

Avant d'installer la plaque, vérifiez si

- la surface de travail est carrée et à niveau et si aucun élément structurel n'interfère avec les exigences d'espace.
- la surface de travail est en matériau résistant à la chaleur.
- si la plaque est installée au-dessus d'un four, le four doit avoir un ventilateur intégré
- l'installation est conforme aux exigences de dégagement et aux normes et règlements applicables.
- un disjoncteur approprié garantissant une déconnexion totale du secteur est intégré au câblage permanent, monté et positionné de façon conforme aux lois et règlements de câblage locaux.

Le disjoncteur doit être homologué et garantir une lame d'air de 3 mm.

la séparation de contact sur tous les pôles (ou sur toutes les conducteurs [phases] actifs si les règlements de câblage locaux

autorisent cette variation des exigences)

- le disjoncteur sera facilement accessible au client une fois la plaque installée.
- vous avez consulté les autorités locales de construction et les règlements municipaux en cas de doute sur l'installation
- vous avez utilisé des finitions résistantes à la chaleur et faciles à nettoyer (comme les carreaux en céramique) pour les murs autour de la plaque.

Quand vous avez installé la plaque, vérifiez si

- le cordon d'alimentation électrique n'est pas accessible à travers les portes du placard ou les tiroirs.
- il y a une circulation d'air frais suffisante de l'extérieur du meuble vers la base de la plaque.
- si la plaque est montée au-dessus d'un tiroir ou de l'espace d'un placard, une barrière de protection thermique est installée sous la base de la plaque.
- le disjoncteur est facilement accessible au client.

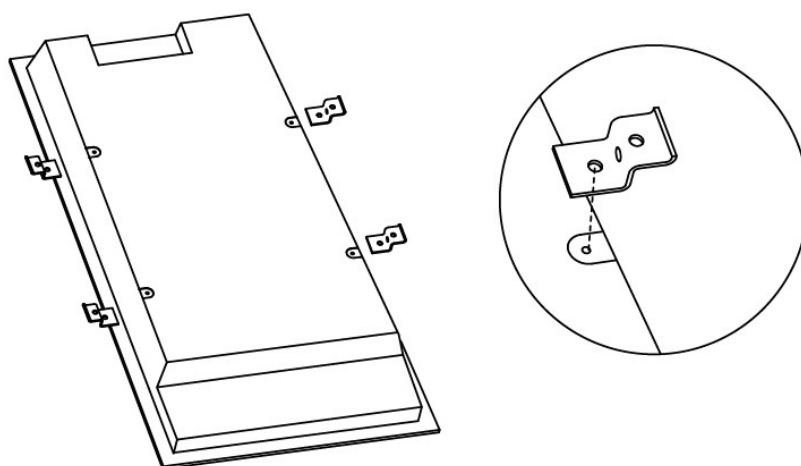
Avant de positionner les étriers de fixation

L'appareil doit être placé sur une surface lisse, stable (utilisez l'emballage). Ne forcez pas sur les commandes qui dépassent de la plaque.

Réglage de la position de l'étrier

Fixez la plaque sur la surface de travail en vissant 4 étriers au bas de la plaque (cf. figure) après l'installation.

Régalez la position de l'étrier en fonction de l'épaisseur du haut du plan de travail.



Avertissements

1. La plaque à induction chaude doit être installée par du personnel qualifié ou des techniciens. Nous avons des professionnels à votre service. Ne le faites jamais vous-même.
2. La plaque ne doit pas être installée directement au-dessus d'un lave-vaisselle, d'un frigo, d'un congélateur, d'une machine à laver ou d'un

sèche-linge, car l'humidité pourrait endommager les parties électroniques de la plaque

3. La plaque à induction chaude doit être installée de façon à ce qu'un meilleur rayonnement thermique puisse être garanti pour augmenter la fiabilité.
4. Le mur et la zone de chauffage induit au-dessus de la surface du plan de travail doit supporter la chaleur.
5. Pour éviter tout dommage, la couche sandwich et l'adhésif doivent résister à la chaleur.

Branchement de la plaque sur le secteur



La plaque ne doit être branchée sur le secteur que par une personne dûment qualifiée. Avant de procéder au branchement de la plaque sur le secteur, vérifiez si:

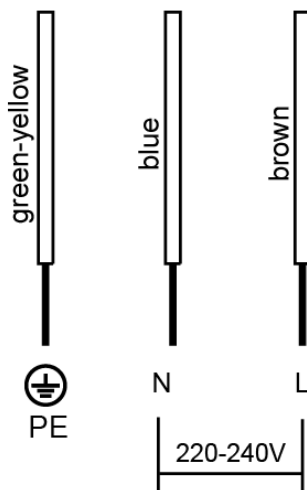
1. le système de câblage domestique est adapté à la puissance requise par la plaque.
2. la tension correspond à la valeur indiquée sur la plaque signalétique.
3. la section du cordon d'alimentation électrique peut supporter la charge indiquée sur la plaque signalétique. Pour brancher la plaque sur le secteur, n'utilisez ni adaptateur, ni réducteur, ni dispositifs de branchement, car ils pourraient causer une surchauffe ou un incendie.

Le cordon d'alimentation électrique ne doit pas toucher les parties chaudes et il doit se trouver de façon à ce que sa température ne dépasse pas 75°C dans tous les points.



Vérifiez avec un électricien si le système de câblage domestique est adapté sans modifications. Les modifications ne doivent être apportées que par un électricien qualifié.

L'alimentation électrique doit être branchée conformément à la norme concernée sur un disjoncteur unipolaire. La méthode de branchement est indiquée ci-dessous.



- Si le cordon est endommagé ou s'il doit être remplacé, confiez le travail à un préposé au service après-vente avec des outils dédiés afin d'éviter les accidents.
- Si l'appareil est branché directement sur le secteur, il faut installer un disjoncteur unipolaire ayant une ouverture minimum de 3 mm entre les contacts.
- Le monteur doit vérifier si le branchement électrique a été fait correctement et s'il est conforme aux règlements de sécurité.
- Le cordon ne doit être ni plié ni comprimé.
- Le cordon doit être vérifié régulièrement et remplacé uniquement par des techniciens autorisés.
- Le conducteur jaune/vert du cordon d'alimentation électrique doit être branché à la terre des deux bornes de l'appareil et de l'alimentation électrique.
- Le fabricant décline toute responsabilité en cas d'accident causé par l'utilisation de l'appareil sans mise à la terre ou avec une mauvaise continuité de la connexion de terre.
- Si l'appareil a une prise, elle doit être installée de façon ce qu'elle soit accessible.



ELIMINATION: Il est interdit de éliminer cet appareil avec les déchets non triés Collectez ces déchets séparément car ils doivent subir un traitement spécial

Cet appareil est marqué comme conforme à la Directive Européenne 2012/19/CE relative aux déchets d'équipements électriques et électroniques (DEEE). En veillant à ce que cet appareil soit éliminé correctement vous participez à la protection de l'environnement et de la santé humaine contre des préjudices qui seraient occasionnés s'il était éliminé de façon erronée.

Le symbole sur l'appareil indique qu'il ne doit pas être traité comme un déchet ménager ordinaire. Il doit être confié à un centre de collecte sélective pour le recyclage des appareils électriques et électroniques.

Cet appareil a besoin d'être géré comme un déchet spécial. Pour en savoir davantage sur le traitement, la collecte et le recyclage de cet appareil, veuillez vous adresser à votre commune, votre centre de collecte des déchets ménagers ou au magasin où vous l'avez acheté.

Pour en savoir davantage sur le traitement, la collecte et le recyclage de cet appareil, veuillez vous adresser à votre mairie, votre centre de collecte des déchets ménagers ou au magasin où vous l'avez acheté.

Al colocar la marca CE **CE** en este producto, declaramos, bajo nuestra responsabilidad, que el producto cumple todos los requisitos ambientales, sanitarios y de seguridad que se exigen en la legislación europea relacionada con el producto.

Advertencias de seguridad

Su seguridad nos importa. Lea esta información antes de utilizar la encimera.

Instalación

Riesgo de descarga eléctrica

- Desconecte el electrodoméstico de la red eléctrica antes de realizar cualquier operación o mantenimiento en él.
- Una puesta a tierra adecuada es fundamental y obligatorio.
- La modificación de la instalación eléctrica doméstica es tarea exclusiva de electricistas cualificados.
- Si no se sigue esta recomendación, puede producirse una descarga eléctrica o un accidente mortal.

Riesgo de corte

- Tenga cuidado con las aristas de los paneles, ya que están afiladas.
- Si no tiene precaución puede hacerse heridas o cortes.

Instrucciones de seguridad importantes

- Lea estas instrucciones atentamente antes de instalar o utilizar el electrodoméstico.
- No coloque nunca material o productos combustibles en este electrodoméstico.
- Ponga esta información a disposición de la persona responsable de instalar el electrodoméstico, ya que podría reducir los costes de instalación.
- Para evitar riesgos, el electrodoméstico debe instalarse conforme se indica en estas instrucciones.
- Un técnico cualificado debe instalar y conectar correctamente a tierra este electrodoméstico.
- El electrodoméstico debe conectarse a un circuito que incorpore un interruptor que permita desconectarlo por completo de la red eléctrica.
- La garantía o las reclamaciones de responsabilidad podrían carecer de validez si el electrodoméstico se instala de forma incorrecta.

Operación y mantenimiento

Riesgo de descarga eléctrica

- No utilice ninguna encimera que tenga la superficie rota o agrietada. Si la encimera se rompe o agrieta, apáguela de inmediato mediante el interruptor principal de la pared y póngase en contacto con un técnico cualificado.
- Apague la encimera mediante el interruptor de la pared antes de efectuar operaciones de limpieza o mantenimiento.
- Si no se sigue esta recomendación, puede producirse una descarga eléctrica o un accidente mortal.

Riesgo de muerte

- Este electrodoméstico cumple normas de seguridad electromagnética.
- No obstante, las personas portadoras de un marcapasos cardiaco u otros implantes eléctricos (como bombas de insulina) deben consultar a su médico o al fabricante del implante antes de utilizar este electrodoméstico para asegurarse de que el campo electromagnético no afectará al implante.
- El incumplimiento de esta recomendación puede causar la muerte.

Peligro, superficie caliente

- Durante el uso, las partes accesibles del electrodoméstico se calientan lo suficiente como para causar quemaduras.
- No permita que el cuerpo, la ropa ni otros objetos, salvo utensilios de cocina adecuados, entren en contacto con el vidrio de la encimera hasta que la superficie se enfríe.
- Tenga cuidado cuando se encuentre cerca de la placa de cocción, ya que los objetos metálicos magnetizables que lleve en el cuerpo podrían calentarse. Esto no afecta a las joyas de oro o plata.
- Mantenga alejados a los niños.
- Las asas de las ollas pueden estar calientes cuando las toque. Compruebe que las asas de las ollas no invadan otras zonas de cocción que estén encendidas. Manténgalas fuera del alcance de los niños.
- El incumplimiento de esta recomendación puede causar quemaduras y escaldaduras.

Riesgo de corte

- La afilada cuchilla de un rascador de la superficie de la encimera queda expuesta cuando se retira la cubierta de seguridad. Use el rascador con suma precaución y guárdelo siempre en un lugar seguro y fuera del alcance de los niños.
- Si no tiene precaución puede hacerse heridas o cortes.

Instrucciones de seguridad importantes

- No deje nunca el electrodoméstico sin vigilancia mientras se esté usando. La ebullición produce humo y derrames grasientos que pueden inflamarse.
- Nunca utilice el electrodoméstico como superficie de trabajo o almacenamiento.
- Nunca deje objetos o utensilios en el electrodoméstico.
- No coloque ni deje objetos magnetizables (como tarjetas de crédito o tarjetas de memoria) o aparatos electrónicos (como ordenadores y reproductores de MP3) cerca del electrodoméstico; su campo electromagnético podría provocar interferencias.
- Nunca utilice el electrodoméstico para calentar el lugar.
- Después de usarlo, apague las zonas de cocción y la encimera como se describe en este manual (es decir, con los mandos táctiles). No confíe en que la función de detección de recipientes apagará las zonas de cocción cuando retire las cacerolas.

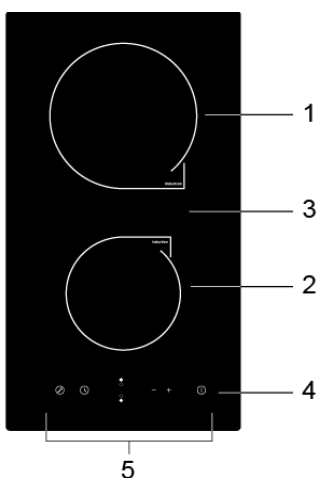
- No permita que los niños jueguen con el electrodoméstico, ni que se sienten, se suban o se pongan de pie en él.
- No guarde objetos que interesen a los niños en los armarios situados encima del electrodoméstico. Los niños podrían lesionarse gravemente si se suben a la placa de cocción.
- No deje a los niños solos o sin vigilancia en la zona de uso del electrodoméstico.
- Una persona responsable y competente debe enseñar a usar el electrodoméstico a los niños o a las personas con discapacidades que limiten su aptitud para utilizar el electrodoméstico. El instructor debe comprobar que pueden utilizar el electrodoméstico sin que esto suponga ningún peligro para ellos o para el entorno.
- No repare ni reemplace componentes del electrodoméstico a menos que se recomiende de forma expresa en el manual. Un técnico cualificado debe realizar cualquier otra reparación o mantenimiento.
- No utilice limpiadores a vapor para limpiar la encimera.
- No coloque ni deje caer objetos pesados en la encimera.
- No se ponga en pie encima de la encimera.
- No utilice cacerolas con bordes dentados ni arrastre las cacerolas por la superficie de vidrio de la encimera de inducción, ya que podría rayar el vidrio.
- No utilice estropajos ni otros limpiadores abrasivos para limpiar la placa de cocción; podría rayar el vidrio.
- Si el cable eléctrico está dañado, debe cambiarlo un técnico cualificado.
- Este electrodoméstico es para uso doméstico exclusivamente.
- Pueden utilizarlo niños a partir de 8 años de edad y personas con facultades físicas, sensoriales o mentales reducidas, o con falta de experiencia y conocimiento, si lo emplean bajo supervisión o se les instruye acerca de la seguridad del producto y entienden los riesgos que comporta. Los niños no deben jugar con el electrodoméstico. Los niños no deben limpiar ni mantener el producto sin supervisión.
- **ADVERTENCIA:** Dejar desatendida la encimera mientras se cocina con grasa o aceite puede ser peligroso y originar un incendio. NUNCA intente apagar el fuego con agua; apague la encimera y cubra la llama con una tapa o una manta ignífuga, por ejemplo.
- Los objetos metálicos (como cuchillos, tenedores, cucharas y tapas) no deben colocarse en la superficie de la encimera, ya que pueden calentarse.
- Después del uso, apague la encimera mediante el botón y no confíe en el detector de recipientes.
- El electrodoméstico no está diseñado para funcionar con un temporizador externo ni con ningún sistema de control remoto separado.

Le felicitamos por la compra de la nueva encimera de inducción. Recomendamos que lea este manual de instrucciones/instalación para que entienda bien cómo instalar y utilizar el electrodoméstico de forma correcta. Para instalarlo, lea la sección correspondiente.

Lea atentamente todas las instrucciones de seguridad antes de usarlo y guarde el manual de instrucciones/instalación para consultas futuras.

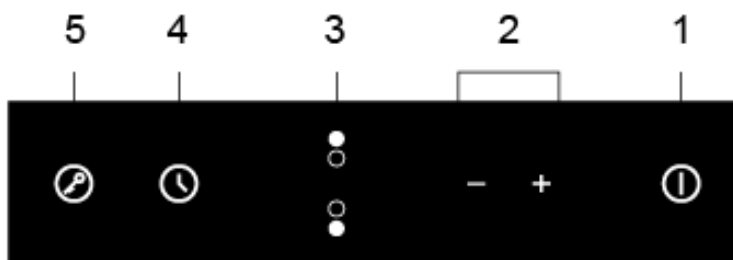
Descripción del producto

Vista superior



1. Zona de 2000 W máx.
2. Zona de 1500 W máx.
3. Placa de vidrio
4. Botón de encendido/apagado
5. Panel de mandos

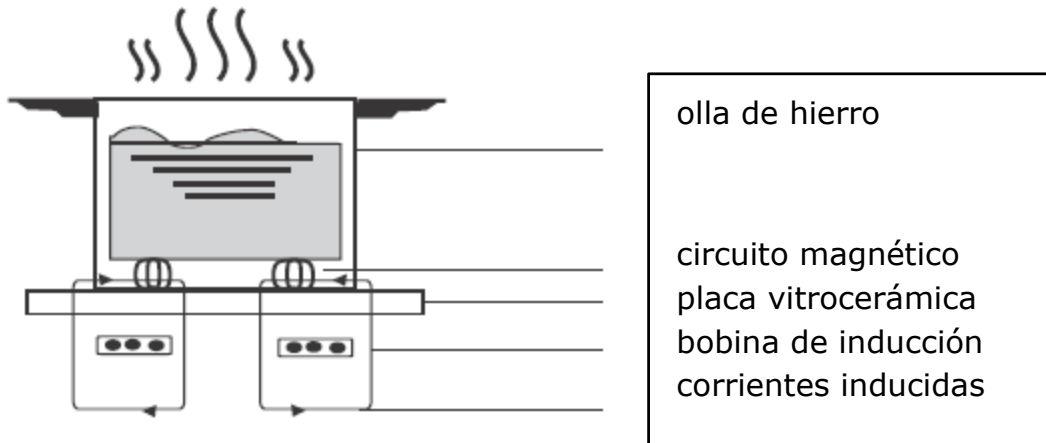
Panel de mandos



1. Botón de encendido/apagado
2. Mandos de regulación de potencia/temporizador
3. Mandos de selección de zona de cocción
4. Mando del temporizador
5. Mando de bloqueo

Introducción sobre las encimeras de inducción

Es una tecnología de cocción segura, avanzada, eficaz y económica. Funciona mediante vibraciones electromagnéticas que calientan directamente la cacerola, en lugar de calentarla de forma indirecta a través de la superficie de vidrio. El vidrio se caliente solamente debido a la cacerola.

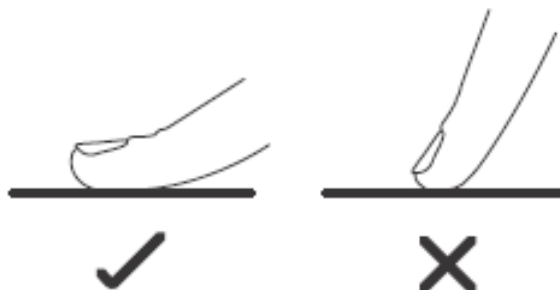


Antes de utilizar la nueva encimera de inducción

- Lea esta guía y preste especial atención a la sección «Advertencias de seguridad».
- Retire la película protectora de la encimera de inducción, si existe.

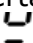
Uso de los mandos táctiles

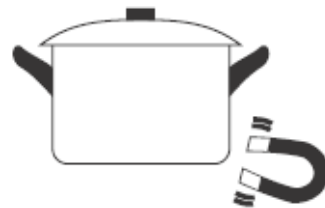
- Los mandos responden al tacto, por lo que no es necesario presionarlos.
- Utilice la yema de los dedos en lugar de la punta.
- Oirá un pitido cada vez que se produzca el contacto.
- Asegúrese de que los mandos estén siempre limpios y secos, y que no haya ningún objeto que los cubra (como un utensilio o un paño). Incluso una capa fina de agua podría dificultar el uso de los mandos.



Elección de los utensilios de cocina adecuados



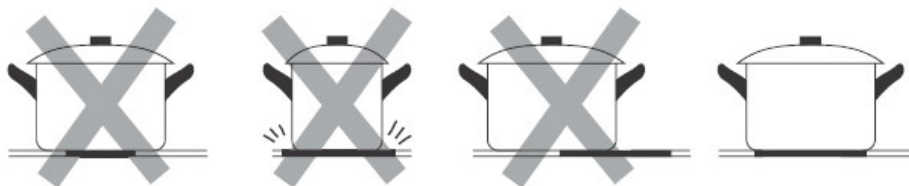
- Utilice utensilios aptos para el uso con encimeras de inducción solamente. Compruebe que el símbolo de inducción aparece en el embalaje o en el fondo de la cacerola.
- Para comprobar si el utensilio es válido, puede hacer la prueba del imán. Mueva un imán hacia la base de la cacerola. Si lo atrae, la cacerola esta apta para encimeras de inducción.
- Si no dispone de un imán:
 1. Vierta un poco de agua en la cacerola que quiera probar.
 2. Si  no parpadea en el visor y el agua se calienta, la cacerola es adecuada.
- Los utensilios de cocina de los materiales siguientes no son adecuados: acero inoxidable puro, aluminio o cobre sin base magnética, vidrio, madera, porcelana, cerámica y loza.



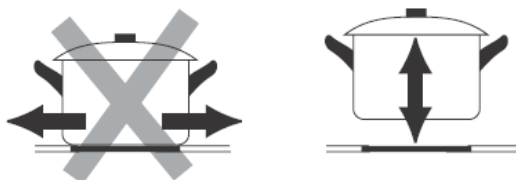
No utilice utensilios con bordes dentados o base curva.



Asegúrese de que la base de la cacerola sea lisa, descansa plana sobre el vidrio y tenga el mismo tamaño que la zona de cocción. Utilice cacerolas cuyo diámetro coincida con las marcas de la zona elegida. El uso de una olla un poco más grande ofrecerá una eficiencia energética máxima. La eficiencia energética es inferior a la prevista cuando se utilizan ollas más pequeñas. Es posible que la encimera no detecte las ollas de menos de 140 mm. Centre siempre la cacerola en la zona de cocción.



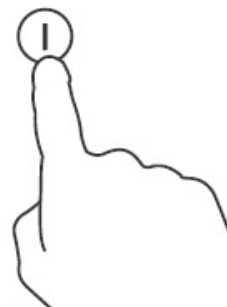
Para apartar las cacerolas de la encimera de cocción, levántelas siempre en lugar de deslizarlas, ya que el vidrio podría rayarse.



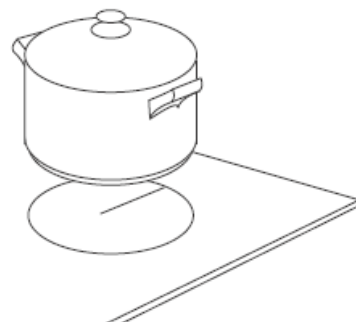
Uso de la encimera de inducción

Para empezar a cocinar

1. Toque el botón de encendido/apagado.
Después de encender la encimera se escucha un pitido y aparece " - " o " - - " en el visor, lo que significa que la encimera de inducción ha entrado en el modo de espera.



2. Coloque una cacerola adecuada en la zona de cocción que desee utilizar.
 - Asegúrese de que el fondo de la cacerola y la superficie de la zona de cocción estén limpios y secos.



3. Cuando se toca el mando de selección de una zona de cocción, parpadea una indicación.



4. Toque el mando "-" o "+" para seleccionar la temperatura.
 - Si no elige un ajuste de temperatura en 1 minuto, la encimera de inducción se apagará de forma automática. Entonces, tendrá que comenzar por el paso 1 otra vez.



- La temperatura se puede cambiar en cualquier momento durante la cocción.

Si parpadea en el visor y se alterna con la temperatura

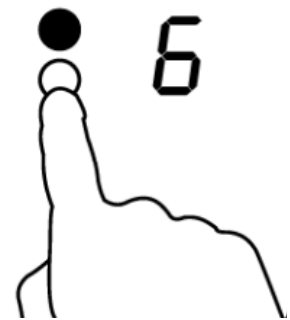
Esto significa lo siguiente:

- No ha colocado una cacerola en la zona de cocción correcta.
- La cacerola que está usando no es apta para encimeras de inducción.
- La cacerola es demasiado pequeña o no está bien centrada en la zona de cocción.

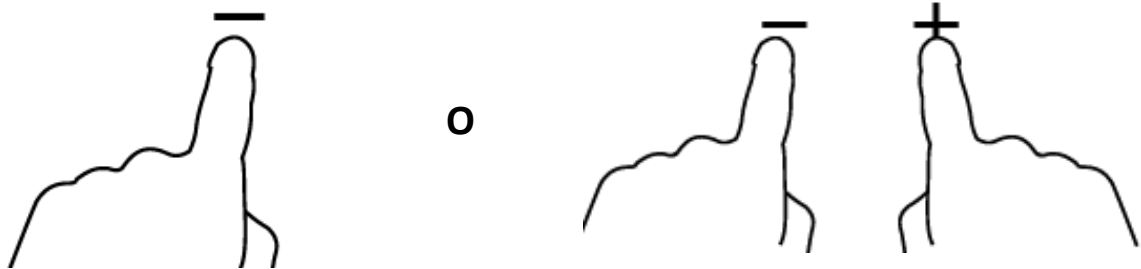
No se genera calor a menos que haya una cacerola adecuada en la zona de cocción. El visor se apagará automáticamente después de 2 minutos si no se coloca una cacerola adecuada en la encimera.

Quando termine de cocinar

1. Toque el mando de selección de la zona de cocción que desee apagar.



2. Ponga la temperatura de la zona de cocción en "0" o toque "-" y "+" al mismo tiempo para apagarla. Asegúrese de que aparece "0" en el visor.



3. Para apagar la placa de cocción completa, toque el botón de encendido/apagado.



4. Tenga cuidado con las superficies calientes.

La letra H indica la zona de cocción que está caliente. Desaparecerá cuando la temperatura de la superficie descienda y esta pueda tocarse sin peligro. También puede utilizarse como función de ahorro de energía, ya que permite emplear la zona que todavía está caliente para calentar otras cacerolas.



Bloqueo de los mandos

- Los mandos pueden bloquearse para evitar el uso no intencionado (por ejemplo, para impedir que los niños enciendan las zonas de cocción accidentalmente).
- El bloqueo desactiva todos los mandos, excepto el botón de encendido/apagado.

Para bloquear los mandos

Toque el mando de bloqueo. En el indicador del temporizador aparecerá "Lo".

Para desbloquear los mandos

1. Toque el mando de bloqueo durante unos instantes.
2. Ya puede empezar a usar la encimera de inducción.



Cuando está bloqueada, todos los mandos están desactivados, excepto el botón de encendido/apagado. Este permite apagar la encimera de inducción en caso de emergencia, pero lo primero que habrá que hacer la próxima vez será desbloquear la encimera.

Protección contra el exceso de temperatura

El sensor de temperatura integrado monitoriza la temperatura en el interior de la encimera de inducción. Cuando se detecta una temperatura excesiva, la encimera de inducción deja de funcionar de forma automática.

Detección de objetos pequeños

Cuando se deja una cacerola de tamaño inadecuado, una cacerola no magnética (por ejemplo, de aluminio) u otro objeto pequeño (como un cuchillo, un tenedor o una llave) en la encimera, la zona de cocción en cuestión entra en el modo de espera en 1 minuto. El ventilador seguirá enfriando la encimera de inducción durante otro 1 minuto.

Protección con autodesconexión

La autodesconexión es una función de seguridad de la encimera de inducción. La encimera se apagará automáticamente si alguna vez se olvida de apagarla. En la tabla siguiente se muestran los tiempos de uso predeterminados correspondientes a los diferentes niveles de potencia:

Nivel de potencia	1	2	3	4	5	6	7	8	9
Tiempo de uso	8	8	8	4	4	4	2	2	2

Cuando se quita la olla, la encimera de inducción deja de calentar de inmediato y se apaga automáticamente después de 2 minutos.



Las personas que lleven un marcapasos tendrán que consultar al médico antes de utilizar este producto.

Uso del temporizador

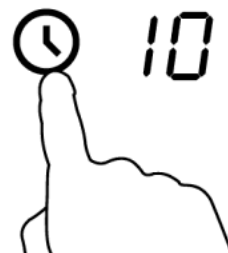
El temporizador se puede utilizar de dos formas distintas:

- Puede utilizarse como minuterero. En este caso no se apaga ninguna zona de cocción cuando termina el tiempo programado.
- Se puede programar para que se apague una zona de cocción después del plazo establecido.
- Se puede programar en un máximo de 99 minutos.

Uso del temporizador como minuterero

Si no se selecciona ninguna zona de cocción

1. Asegúrese de que la placa de cocción está encendida.
Nota: Puede utilizar el minuterero aunque no seleccione ninguna zona de cocción.
2. Cuando toque el mando del temporizador, el indicador del minuterero empezará a parpadear y aparecerá "10" en el visor del temporizador.



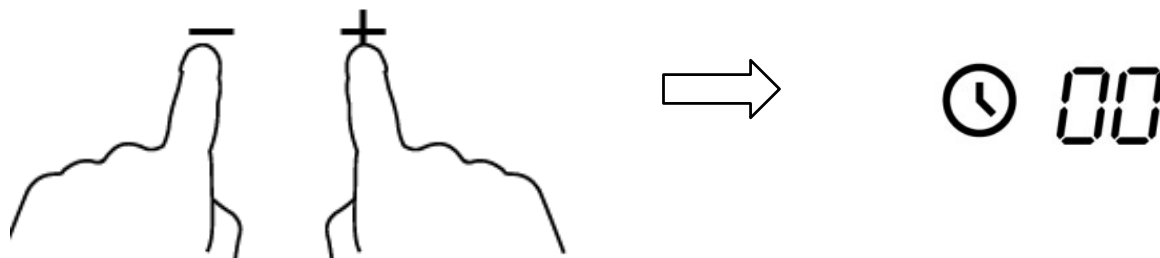
3. Toque el mando “-” o “+” del temporizador para programar el tiempo.

Consejo: Para reducir o aumentar el tiempo 1 minuto, toque el mando “-” o “+” del temporizador una vez.

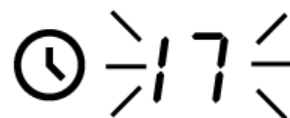
Mantenga el dedo en el mando “-” o “+” para reducir o aumentar el tiempo 10 minutos, respectivamente.

Si el tiempo programado es superior a 99 minutos, el temporizador se restablecerá automáticamente en 00 minutos.

4. Toque “-” y “+” a la vez para cancelar el temporizador y que aparezca “00” en el visor de minutos.



5. Cuando se programa el tiempo, la cuenta atrás comienza de inmediato. En el visor se muestra el tiempo restante y el indicador del temporizador parpadea durante 5 segundos.

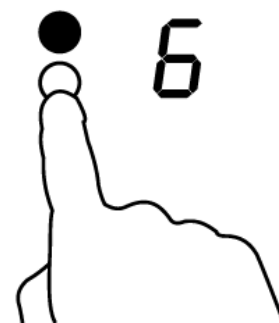


6. Cuando se cumple el tiempo programado, suena un pitido durante 30 segundos y aparece “- -” en el indicador del temporizador.

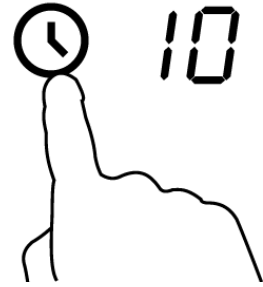


Programación del temporizador para apagar la zona de cocción

1. Toque el mando de selección de la zona de cocción cuyo temporizador quiera programar.

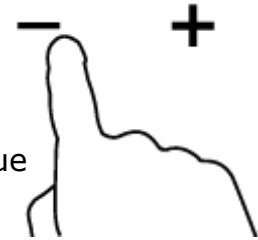


2. Cuando toque el mando del temporizador, el indicador del minuterero empezará a parpadear y aparecerá "10" en el visor del temporizador.



3. Toque el mando "-" o "+" del temporizador para programar el tiempo.

Consejo: Para reducir o aumentar el tiempo 1 minuto, toque el mando "-" o "+" del temporizador una vez. Mantenga el dedo en el mando "-" o "+" del temporizador para reducir o aumentar el tiempo 10 minutos.

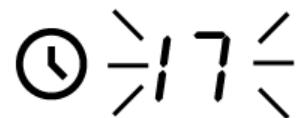


Si el tiempo programado es superior a 99 minutos, el temporizador se restablecerá automáticamente en 00 minutos.

4. Toque "-" y "+" a la vez para cancelar el temporizador y que aparezca "00" en el visor de minutos.



5. Cuando se programe el tiempo, la cuenta atrás comenzará de inmediato. En el visor se mostrará el tiempo restante y el indicador del temporizador parpadeará durante 5 segundos.



NOTA: El punto rojo situado junto al indicador del nivel de potencia se ilumina cuando se selecciona la zona.



6. Cuando expira el temporizador de cocción, la zona de cocción se apaga automáticamente.



Las zonas de cocción que se hayan encendido antes seguirán funcionando.

Pautas de cocción



Tenga cuidado al freír, ya que el aceite y la grasa se calientan con mucha rapidez, sobre todo cuando se emplea PowerBoost. El aceite y la grasa se inflaman de forma espontánea a temperaturas extremadamente altas, lo que conlleva un importante riesgo de incendio.

Consejos de cocción

- Cuando los alimentos empiecen a hervir, reduzca la temperatura.
- El uso de una tapa reducirá los tiempos de cocción y ahorrará energía porque el calor no se dispersará.
- Para reducir los tiempos de cocción, utilice cantidades mínimas de líquido o grasa.
- Empiece a cocinar con una temperatura alta y redúzcala cuando los alimentos se hayan calentado por completo.

Cocción a fuego lento, preparación de arroz

- La cocción a fuego lento es la que tiene lugar por debajo del punto de ebullición, a cerca de 85°C, cuando suben burbujas a la superficie del caldo de la cocción. Es la clave para preparar sopas deliciosas y tiernos guisos con todo el sabor sin cocinar los alimentos en exceso. Las salsas con base de huevo y que se espesan con harina también se preparan a fuego lento.
- Algunos platos, incluida la cocción de arroz por el método de absorción, pueden requerir una temperatura más alta que el ajuste menor para asegurarse de que los alimentos se cocinen de manera adecuada en el tiempo recomendado.

Preparación de carne

Para prepara filetes jugosos y sabrosos:

1. Deje la carne a temperatura ambiente durante 20 minutos antes de cocinarla.
2. Caliente una sartén de base gruesa.
3. Unte ambos lados del filete con aceite. Vierta una pequeña cantidad de aceite en la sartén y ponga la carne en la sartén caliente.

4. Gire una sola vez el filete durante la cocción. El tiempo de cocción exacto dependerá del grosor del filete y del punto de cocción. El tiempo de cocción por lado puede variar de 2 a 8 minutos. Aplaste el file para saber cómo está de cocido; cuanto más consistencia tenga, más hecho estará.
5. Deje el filete en un plato caliente durante unos cuantos minutos para que repose y se ablande antes de servirlo.

Salteado

1. Elija un wok para encimera de inducción de base plana o una sartén grande.
2. Prepare todos los ingredientes y utensilios. El salteado es rápido. Cuando tenga que preparar grandes cantidades de alimentos, cocínelos en varias tandas más pequeñas.
3. Precaliente brevemente la sartén y añada dos cucharadas de aceite.
4. Cocine primero la carne, apártela y manténgala caliente.
5. Saltee las verduras. Cuando estén calientes y crujientes, reduzca la temperatura de la zona de cocción y añada la carne preparada y la salsa.
6. Mezcle los ingredientes con cuidado para asegurarse de que se calienten por completo.
7. Sirva de inmediato.

Ajustes de temperatura

Los ajustes siguientes solo sirven de referencia. La temperatura exacta dependerá de varios factores, incluidos los utensilios y la cantidad de alimentos que se van a preparar. Experimente con la encimera de inducción para averiguar qué temperatura ofrece mejores resultados.

Ajuste de	Idoneidad
1 - 2	<ul style="list-style-type: none"> • Calentar ligeramente pequeñas cantidades de alimentos • Derretir chocolate, mantequilla y alimentos que se queman rápidamente • Cocer suavemente a fuego lento
3 - 4	<ul style="list-style-type: none"> • Recalentar • Cocer rápidamente a fuego lento • Preparar arroz
5 - 6	<ul style="list-style-type: none"> • Tortitas
7 - 8	<ul style="list-style-type: none"> • Rehogar • Cocer pasta
9	<ul style="list-style-type: none"> • Saltear • Asar • Hacer hervir sopa • Hervir agua


Cuidado y limpieza

Las indicaciones siguientes solo sirven de referencia. Las indicaciones exactas dependerán de varios factores, incluidos los utensilios y la cantidad de alimentos que se vayan a preparar. Experimente con la encimera para averiguar qué ajuste ofrece mejores resultados.

Qué	Cómo	Importante
Suciedad del vidrio diaria (huellas dactilares, marcas, manchas de comida o derrames sin azúcar)	<ol style="list-style-type: none"> 1. Apague la encimera. 2. Aplique un producto de limpieza para placas de cocción mientras el vidrio esté todavía tibio (pero no caliente). 3. Aclare y seque con un paño limpio o papel absorbente. 4. Vuelva a encender la placa. 	<ul style="list-style-type: none"> • Tras apagar la encimera puede haber una zona de cocción todavía caliente aunque no esté encendida la indicación de «superficie caliente». Extreme las precauciones. • Los estropajos fuertes, algunos estropajos de nailon y los agentes de limpieza abrasivos pueden rayar el vidrio. Lea siempre la etiqueta para saber si el limpiador o el estropajo son adecuados. • Nunca deje restos de limpieza en la placa, ya que el vidrio podría mancharse.
Manchas de ebullición, de alimentos derretidos y de derrames de alimentos azucarados calientes	<p>Elimine de inmediato con una espumadera, una espátula o un rascador que sean aptos para placas vitrocerámicas de inducción, pero tenga cuidado con las superficies de las zonas de cocción calientes.</p> <ol style="list-style-type: none"> 1. Apague la placa mediante el interruptor de la pared. 2. Sujete la pala o el utensilio en ángulo de 30°, rasque la suciedad o el derrame y llévela a un área fría de la placa. 3. Limpie la suciedad o el derrame con un paño o papel absorbente. 4. Realice los pasos de 2 a 4 del apartado «Suciedad del vidrio diaria» anterior. 	<ul style="list-style-type: none"> • Elimine los derrames o las machas de alimentos derretidos y azucarados tan pronto como sea posible. Si se permite que se enfríen en el vidrio, pueden ser difíciles de eliminar o dañar de forma permanente la superficie de vidrio. • Riesgo de corte. El rascador tiene una cuchilla afilada que queda expuesta cuando se retira la cubierta de seguridad. Use el rascador con suma precaución y guárdelo siempre en un lugar seguro y fuera del alcance de los niños.
Derrames en los mandos táctiles	<ol style="list-style-type: none"> 1. Apague la placa. 2. Limpie el derrame. 3. Limpie el área de los mandos táctiles con una esponja o un trapo limpios. 4. Seque el área por completo con papel absorbente. 5. Vuelva a encender la placa. 	<ul style="list-style-type: none"> • La encimera puede pitar y apagarse; los mandos táctiles podrían no funcionar mientras estén cubiertos de líquido. Asegúrese de secar el área de los mandos táctiles antes de encender la encimera de nuevo.

Consejos y sugerencias

Problema	Posible causa	Qué hacer
No se puede encender la encimera de inducción.	No hay corriente.	Asegúrese de que la encimera de inducción está conectada a la red eléctrica y encendida. Compruebe si hay un corte de corriente en su domicilio o en la zona. Si ha realizado todas las comprobaciones y el problema no se soluciona, avise a un técnico cualificado.
Los mandos táctiles no responden.	Los mandos están bloqueados.	Desbloquee los mandos. Consulte las instrucciones de la sección «Uso de la encimera de inducción».
Es difícil utilizar los mandos táctiles.	Es posible que una fina capa de agua cubra los mandos o que esté tocando los mandos con la punta del dedo.	Asegúrese de que el área de los mandos táctiles está seca y utilice la yema del dedo para accionar los mandos.
El vidrio se ha rayado.	Los utensilios de cocina tienen bordes rugosos. Se están usando estropajos o productos de limpieza abrasivos que no son adecuados.	Utilice utensilios de cocina con base plana y lisa. Consulte «Elección de los utensilios de cocina adecuados». Consulte «Cuidado y limpieza».
Algunas cacerolas producen chasquidos y crepitaciones.	Esto puede deberse a la fabricación del utensilio de cocina (capas de metales diferentes que vibran de distinta manera).	Es normal y no indica la existencia de ningún fallo.
La encimera de inducción emite un zumbido bajo cuando se utiliza a alta temperatura.	Esto se debe a la tecnología de inducción.	Es normal, pero el ruido debería disminuir o desaparecer por completo al reducir la temperatura.
Se escucha ruido de ventilador procedente de la encimera de inducción.	El ventilador de refrigeración que incorpora la encimera de inducción se ha encendido para evitar que los componentes electrónicos se recalienten. Podría seguir funcionando incluso después de apagar la encimera de inducción.	Es normal y no requiere adoptar medidas. No apague la encimera de inducción mediante el interruptor de la pared mientras el ventilador esté funcionando.

<p>Las cacerolas no se calientan y  aparece en el visor.</p>	<p>La encimera de inducción no puede detectar la cacerola porque no es adecuada para este tipo de encimera.</p> <p>La encimera de inducción no puede detectar la cacerola porque es demasiado pequeña para la zona de cocción o no está correctamente centrada.</p>	<p>Utilice utensilios de cocina aptos para encimeras de inducción. Consulte la sección «Elección de los utensilios de cocina adecuados».</p> <p>Centre la cacerola y asegúrese de que la base tenga el tamaño de la zona de cocción.</p>
<p>La encimera de inducción o una zona de cocción se han apagado de forma imprevista, suena un aviso y se muestra un código de error (en el visor del temporizador, por lo general alternante con uno o dos números).</p>	<p>Fallo técnico</p>	<p>Anote las letras y los números del código de error, apague la encimera de inducción mediante el interruptor de la pared y póngase en contacto con un técnico cualificado.</p>

Nunca intente desmontar la unidad.

Indicador de fallo e inspección

Si se produce una anomalía, la encimera de inducción entrará en estado de protección de forma automática y mostrará los códigos correspondientes:

Problema	Posible causa	Qué hacer
F3-F8	Fallo del sensor de temperatura	Póngase en contacto con el proveedor.
F9-FE	Fallo del sensor de temperatura del IGBT	Póngase en contacto con el proveedor.
E1/E2	Tensión de suministro anómala	Averigüe si la corriente eléctrica es normal. Encienda el electrodoméstico cuando la corriente sea normal.
E3/E4	Temperatura anómala	Examine la olla.
E5/E6	Mala radiación térmica de la encimera de inducción	Reinicie la encimera de inducción una vez que se enfríe.

La tabla anterior contiene la solución y la inspección de fallos comunes.

Para evitar peligros y daños a la encimera de inducción, no desmonte la unidad.

Especificaciones técnicas

Encimera de cocción	CDI 30
Zonas de cocción	2 zonas
Tensión de suministro	220-240 V ~ 50/60 Hz
Potencia eléctrica instalada	3500 W
Tamaño del producto L×An.×Al. (mm)	288X520X56
Medidas de instalación A×B (mm)	268X500

El peso y las medidas son aproximados. Debido a que estamos mejorando continuamente nuestros productos, podríamos cambiar las especificaciones y el diseño sin previo aviso.

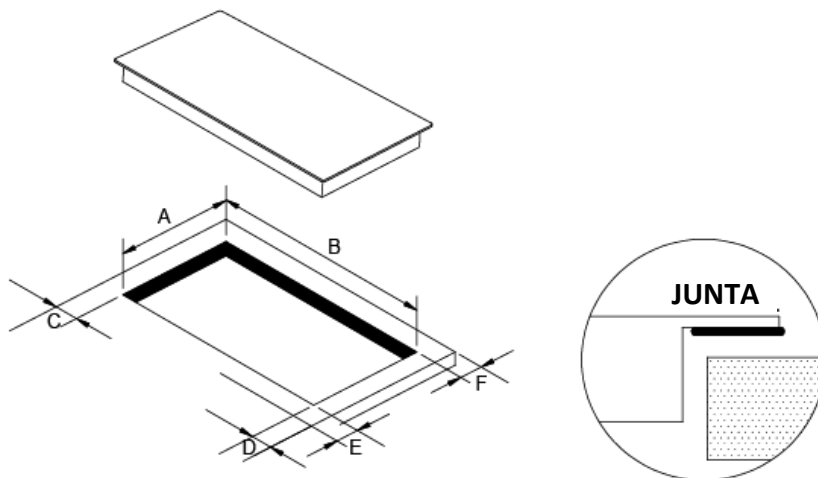
Instalación

Selección del equipo de instalación

Corte la encimera con arreglo a las medidas mostradas en la figura.

Para instalar y utilizar la encimera habrá que reservar un espacio mínimo de 5 cm alrededor del hueco realizado.

Asegúrese de que la encimera tenga un grosor mínimo de 30 mm. Elija un material resistente al calor para la encimera con el fin de evitar que se deforme mucho con el calor que genera la placa. Consulte la figura siguiente.

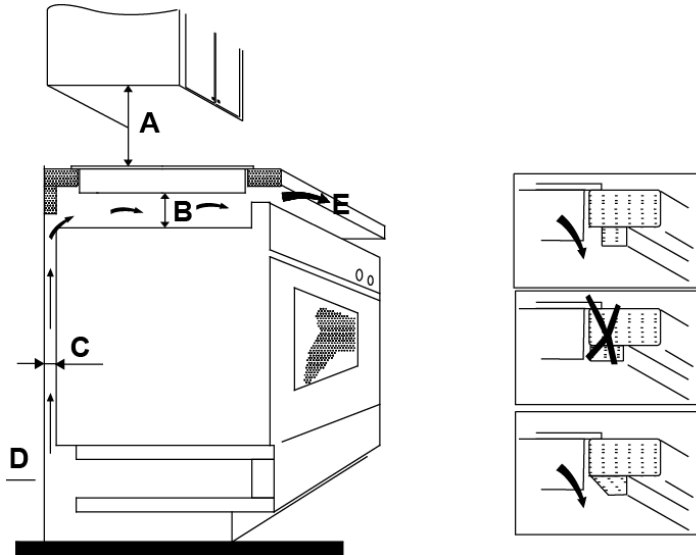


A (mm)	B (mm)	C (mm)	D (mm)	E (mm)	F (mm)
268+4 -0	500+4 -0	50 min	50 min	50 min	50 min

Asegúrese de que la encimera de inducción esté ventilada en cualquier situación, y que la entrada y la salida de aire no estén bloqueadas. Compruebe que la encimera de inducción se encuentra en buen estado de funcionamiento. Consulte la figura siguiente.



Nota: Entre la encimera y el armario situado encima de ella debe haber una distancia de seguridad de al menos 760 mm.



A (mm)	B (mm)	C (mm)	D	E
760	50 min	30 min	Entrada de aire	Salida de aire 10 mm

Comprobaciones anteriores a la instalación de la encimera

- La encimera está en ángulo recto y nivelada; además, ningún componente estructural interfiere con los requisitos de espacio.
- La encimera es de material resistente al calor.
- Si la encimera se instala encima de un horno, este debe incorporar un ventilador de refrigeración.
- La instalación cumple todos los requisitos de espacio libre, además de las normas y los reglamentos pertinentes.
- El cableado permanente incorpora un interruptor adecuado que garantiza la desconexión total de la red eléctrica y cuya instalación y posición cumplen las normas y los reglamentos de cableado locales.

El interruptor debe ser de un tipo aprobado y ofrecer una separación física de contactos de 3 mm en todos los polos (o en todos los conductores activos [fase] si las normas locales de cableado permiten la variación de estos requisitos).

- El usuario puede acceder con facilidad al interruptor cuando la encimera esté instalada.
- Si tiene dudas acerca de la instalación, consulte a las autoridades locales y las ordenanzas de construcción.
- Las superficies de la pared que rodea la encimera deben tener un acabado resistente al calor y fácil de limpiar (como azulejos).

Comprobaciones posteriores a la instalación de la encimera

- No se puede acceder al cable eléctrico a través de cajones o puertas de armarios.
- Existe una circulación adecuada de aire fresco desde el exterior del mueble hasta la base de la encimera.
- Si la encimera está instalada encima de un cajón o del espacio destinado a un mueble, se ha colocado una barrera de protección térmica debajo de la base de la encimera.
- El usuario accede con facilidad al interruptor.

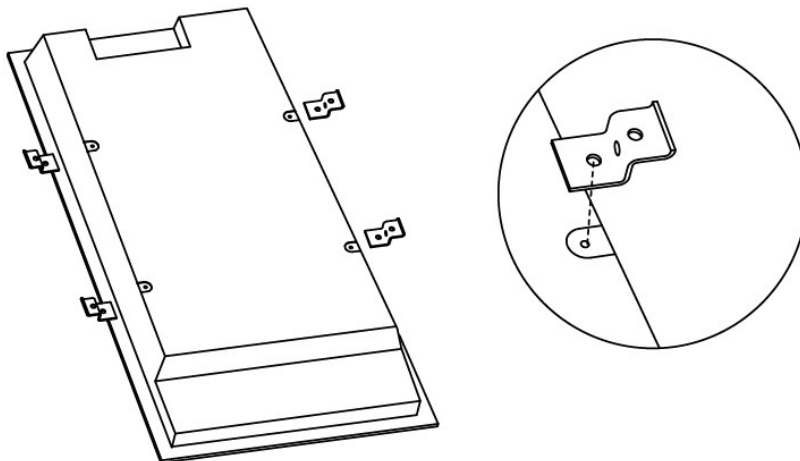
Antes de colocar las abrazaderas de fijación

La unidad debe colocarse en una superficie lisa y estable (utilice el embalaje). No haga fuerza en los mandos que sobresalen de la encimera.

Ajuste de la posición de las abrazaderas

Para fijar la encimera a la encimera, atornille las 4 abrazaderas en la parte inferior (consulte la figura) tras la instalación.

Ajuste la posición de las abrazaderas al grosor de la encimera.



Precauciones

1. La instalación de la placa de inducción es responsabilidad de personal o técnicos cualificados. Tenemos profesionales a su disposición. Nunca realice la operación personalmente.

2. La encimera no debe instalarse justo encima de un lavavajillas, un frigorífico, un congelador, una lavadora o una secadora, ya que la humedad dañaría los componentes electrónicos.
3. Para aumentar la fiabilidad de la encimera de inducción, debe instalarse de manera que se garantice una radiación térmica óptima.
4. La pared y la zona situada encima de la superficie de la encimera deben soportar el calor.
5. Para evitar daños, el aglomerado y el adhesivo también deben soportar el calor.

Conexión de la encimera a la red eléctrica



Solo una persona debidamente cualificada debe conectar esta encimera a la red eléctrica.

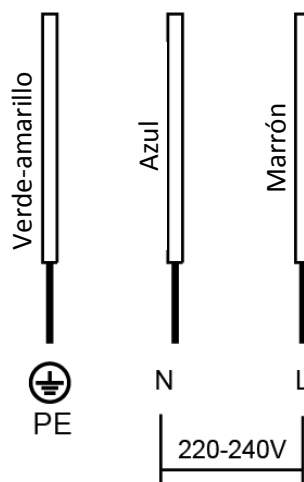
Antes de conectar la encimera a la red eléctrica, compruebe lo siguiente:

- a. La instalación eléctrica doméstica es adecuada para el consumo energético de la encimera.
 - b. La tensión se corresponde con el valor indicado en la placa de datos.
 - c. Las secciones del cable eléctrico resisten la carga especificada en la placa de datos.
- No utilice adaptadores, reductores ni dispositivos de derivación para conectar la encimera a la red eléctrica, ya que podrían producir sobrecalentamiento e incendio. El cable eléctrico no debe entrar en contacto con componentes que se calienten y debe situarse de manera que su temperatura nunca supere los 75°C en ningún punto.



Verifique con un electricista si la instalación eléctrica doméstica resulta adecuada sin necesidad de hacer cambios. La única persona que debe realizar modificaciones es un electricista cualificado.

La corriente debe conectarse con arreglo a la normativa pertinente o con un contactor unipolar. A continuación se muestra el método de conexión.



- Si el cable está dañado o necesita reemplazarse, el servicio posventa debe realizar la operación con herramientas especiales para evitar accidentes.
- Si el electrodoméstico se conecta directamente a la corriente, habrá que instalar un contactor omnipolar con distancia mínima de 3 mm entre contactos.
- El instalador debe asegurarse de que la conexión eléctrica es correcta y que cumple los reglamentos de seguridad.
- El cable no debe doblarse ni aplastarse.
- El cable debe comprobarse de forma periódica y solamente debe reemplazarlo un técnico autorizado.
- El conductor amarillo/verde del cable eléctrico debe conectarse a la masa de los terminales de la red y del electrodoméstico.
- El fabricante no será responsable de accidentes debidos al uso de un electrodoméstico que no esté conectado a tierra o que presente fallos de continuidad de masa.
- Si el electrodoméstico tiene una toma de corriente, tendrá que instalarse de manera que esté accesible.



ELIMINACIÓN DE DESECHOS: No deseche este producto como residuo municipal sin clasificar. Debe recogerse por separado y someterse a tratamiento si es necesario.

Este electrodoméstico tiene la marca de conformidad con la Directiva europea 2012/19/CE sobre residuos de aparatos eléctricos y electrónicos (RAEE). Al asegurarse de desechar este electrodoméstico de forma correcta, estará contribuyendo a evitar los posibles daños para el medio ambiente y la salud humana que ocasionaría una eliminación incorrecta.

El símbolo del producto indica que no puede tratarse como residuo doméstico. Debe dejarse en un punto de recogida designado para reciclaje de aparatos eléctricos y electrónicos.

Se requiere un especialista en la eliminación de residuos. Para obtener más información sobre el tratamiento, la recuperación y el reciclaje de este producto, póngase en contacto con el ayuntamiento, el servicio de recogida de basuras local o el establecimiento donde lo adquirió.

Para obtener información detallada sobre el tratamiento, la recuperación y el reciclaje de este producto, póngase en contacto con el ayuntamiento, el servicio de recogida de basuras local o el establecimiento donde lo adquirió.

Ao colocar a marca CE **CE** neste produto, declaramos, sob nossa responsabilidade, a conformidade com todos os requisitos Europeus de segurança, saúde e ambientais mencionados na legislação para este produto.

Avisos de segurança

A sua segurança é importante para nós. Leia esta informação atentamente antes de instalar a sua placa.

Instalação

Perigo de choque elétrico

- Desligue o equipamento da alimentação elétrica antes de realizar qualquer tipo de tarefa de manutenção ao mesmo.
- É essencial e obrigatória a ligação a um bom sistema de ligação à terra.
- As alterações ao sistema de cablagem doméstico devem ser realizadas por um eletricitista qualificado.
- O não cumprimento desta recomendação pode resultar na ocorrência de choques elétricos ou morte.

Risco de cortes

- Cuidado! As extremidades do painel são afiadas.
- Caso contrário, podem ocorrer ferimentos ou cortes.

Instruções de segurança importantes

- Leia estas instruções atentamente antes de instalar ou usar este equipamento.
- Não podem ser colocados sobre este equipamento materiais ou produtos combustíveis.
- Disponibilize esta informação à pessoa responsável pela instalação do equipamento pois poderá reduzir os seus custos da instalação.
- Para evitar perigo, este equipamento deve ser instalado de acordo com estas instruções de instalação.
- Este equipamento deve ser corretamente instalado e ligado à terra por um técnico qualificado.
- Este equipamento deve ser ligado a um circuito que integre um interruptor de isolamento que disponibilize o corte total da alimentação elétrica.
- A instalação incorreta do equipamento pode anular a garantia ou qualquer reclamação.

Operação e manutenção

Perigo de choque elétrico

- Não cozinhar sobre a superfície partida ou rachada da placa. Se a placa partir ou rachar, desligue imediatamente o equipamento da alimentação elétrica (interruptor mural) e contacte um técnico qualificado.
- Desligue a placa na parede antes de limpar ou de realizar a manutenção.
- O não cumprimento desta recomendação pode resultar na ocorrência de choques elétricos ou morte.

Perigo para a saúde

- Este equipamento está em conformidade com as normas de segurança eletromagnéticas.
- No entanto, pessoas com pacemakers cardíacos ou outros implantes elétricos (tais como bombas de insulina) devem consultar o seu médico ou o fabricante do implante antes de começar a usar este equipamento, para confirmar que não serão afetados pelo campo eletromagnético.
- O não cumprimento desta recomendação pode resultar em morte.

Perigo de superfície quente

- Durante o uso, as partes acessíveis deste equipamento ficarão quentes o suficiente para provocar queimaduras.
- Não deixe que o seu corpo, roupas ou outro item, exceto os utensílios adequados para cozinhar, entre em contacto com o vidro de indução até que a superfície esteja fria.
- Cuidado: os objetos metálicos magnetizáveis usados no corpo podem ficar quentes na proximidade da placa. As peças em ouro ou prata não são afetadas.
- Mantenha as crianças afastadas.
- As pegas das panelas e tachos podem ficar muito quentes para o toque. Confirme se as pegas não se encontram sobre outras zonas de indução que possam estar ligadas. Mantenha as pegas fora do alcance das crianças.
- O não cumprimento desta recomendação pode resultar em queimaduras ou escaldões.

Risco de cortes

- A lâmina afiada de um raspador da superfície de uma placa fica exposta quando a tampa de segurança é recolhida. Use com extremo cuidado e guarde sempre em segurança e fora do alcance das crianças.
- Caso contrário, podem ocorrer ferimentos ou cortes.

Instruções de segurança importantes

- Nunca deixe o equipamento desacompanhado durante a sua utilização. O transbordar de líquidos provoca fumos e derrames de gordura que podem incendiar.
- Nunca use o seu equipamento como superfície de trabalho ou de armazenamento.
- Nunca deixe objetos ou utensílios sobre o equipamento.
- Não coloque ou deixe objetivos magnetizáveis (ex: cartões de crédito, cartões de memória) ou dispositivos eletrónicos (ex: computadores, leitores MP3) próximo do equipamento pois podem afetar o seu campo eletromagnético.
- Nunca use o seu equipamento para aquecer uma divisão.
- Depois de usar, desligue sempre as zonas de indução e a placa como descrito neste manual (i.e. usando os controlos táteis). Não confie no dispositivo de deteção da panela para desligar as zonas de indução quando retira as panelas.

- Não deixe que as crianças brinquem com o equipamento ou que se sentem ou que subam para cima da placa.
- Não guarde itens que possam interessar a crianças nos armários por cima do equipamento. Se as crianças subirem para cima da placa podem ficar gravemente feridas.
- Não deixe crianças sozinhas ou desacompanhadas na área onde o equipamento está a ser usado.
- Crianças ou pessoas com deficiência que limite a sua capacidade de usar o equipamento devem ser sempre acompanhadas por uma pessoa responsável e competente para as instruir sobre a utilização do mesmo. O instrutor deve confirmar de que sabem usar o equipamento sem risco pessoal ou para outras pessoas.
- Não repare ou substitua o equipamento exceto quando recomendado no manual. Todos os outros serviços devem ser realizados por um técnico qualificado.
- Não use um equipamento de limpeza a vapor para limpar a placa.
- Não coloque ou deixe cair sobre a placa, objetos pesados.
- Não suba para cima da superfície da sua placa.
- Não use panelas com fundos dentados nem arraste as panelas ao longo da superfície do vidro de indução, para não riscar o vidro.
- Não use esfregões ou qualquer outro material de limpeza abrasivo para limpar a sua placa de cozinha, porque riscam o vidro de indução.
- Se o cabo de alimentação elétrica estiver danificado, só pode ser substituído por um técnico qualificado.
- Este equipamento foi desenhado apenas para uso doméstico.
- Este equipamento pode ser usado por crianças a partir dos 8 anos de idade e por pessoas com incapacidade física, sensorial ou mental, ou sem experiência e conhecimentos para o fazer, desde que supervisionadas ou devidamente orientadas relativamente ao uso seguro do equipamento e sobre os perigos envolvidos. As crianças não podem brincar com o equipamento. A limpeza e a manutenção não deve ser realizada por crianças sem a supervisão de um adulto.
- **AVISO:** Deixar alimentos com gordura ou com óleo a cozinhar sem supervisão pode ser perigoso e pode provocar incêndios. NUNCA tente apagar um fogo com água! Desligue o equipamento e tape a chama com, por exemplo, uma tampa ou um cobertor de fogo.
- Os objetos metálicos como facas, garfos, colheres e tampas não devem ser colocados na superfície da placa, porque podem ficar quentes.
- Depois da utilização, desligue a placa com o seu controlo e não confie no detetor de panelas.
- O equipamento não foi desenhado para ser operado através de um temporizador externo ou sistema de controlo remoto separado.

Parabéns pela compra da sua nova Placa de indução.

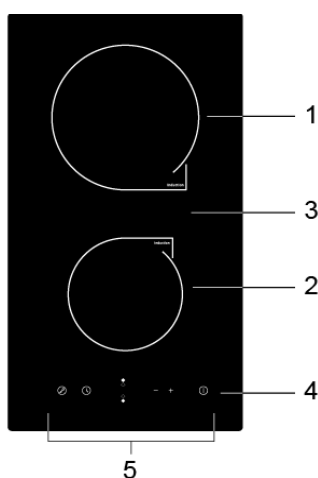
Recomendamos que dedique algum tempo à leitura deste Manual de Instruções/Instalação para compreender totalmente a sua instalação e operação corretas.

Sobre a instalação, leia a secção de instalação.

Leia todas as instruções de segurança atentamente antes de usar e conserve este Manual de Instrução/Instalação para futuras consultas.

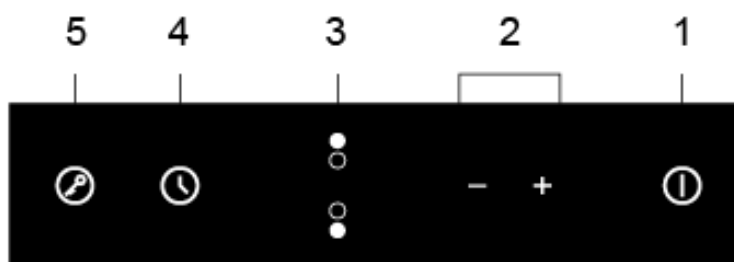
Visão geral do produto

Vista superior



1. Zona 2000 W max.
2. Zona 1500 W max.
3. Placa de vidro
4. Controlo ON/OFF (LIGAR/DESLIGAR)
5. Painel de controlo

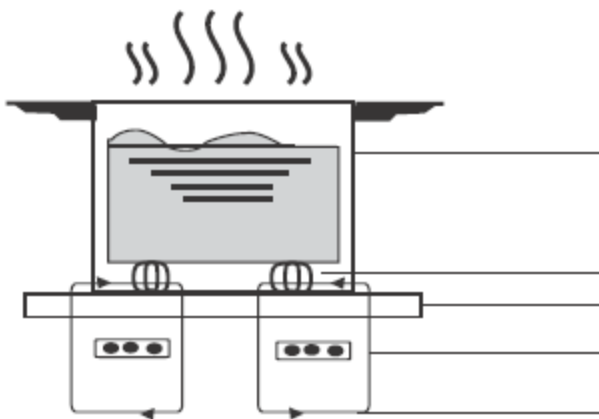
Painel de controlo



1. Controlo ON/OFF (LIGAR/DESLIGAR)
2. Controlos de regulação da potência / Temporizador
3. Controlos de seleção das zonas de indução
4. Controlo temporizador
5. Controlo chave de bloqueio

Algumas informações sobre cozinhar com indução

Cozinhar com indução é uma tecnologia segura, avançada, eficiente e económica. Funciona por vibrações eletromagnéticas que geram calor diretamente na panela, em vez de indiretamente através do indução da superfície de vidro. O vidro fica quente apenas porque é aquecido pela panela.



Panelas em ferro

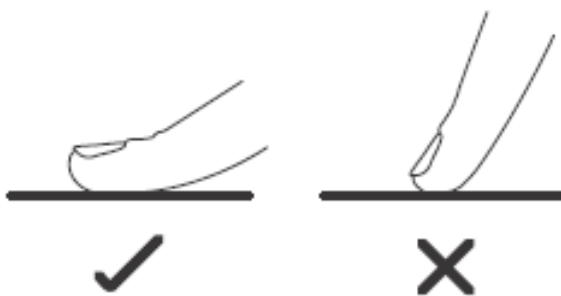
correntes induzidas do
circuito magnético da bobina
da placa de indução de
cerâmica de vidro

Antes de usar a sua placa de indução

- Leia este guia, especialmente a secção "Avisos de segurança".
- Remova qualquer película de proteção que se possa encontrar na placa de indução.

Utilização dos controlos táteis

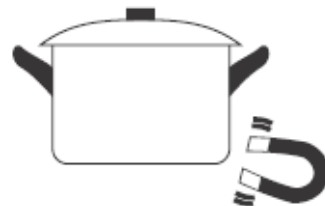
- Os controlos respondem ao toque, pelo que não é necessário aplicar pressão.
- Use a ponta do dedo e não a unha.
- Ouvirá um bip de cada vez que o toque for registado.
- Assegure que os controlos estão sempre limpos, secos e que não se encontra nenhum objeto (utensílio ou pano) a cobrir os mesmos. A mais fina película de água pode dificultar o funcionamento dos controlos.



Selecionar as panelas corretas



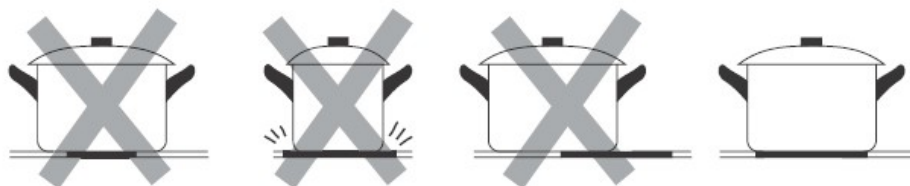
- Use apenas panelas com uma base adequadas para a cozinha por indução. Procure o símbolo de indução na embalagem ou no fundo da panela.
- Pode ainda confirmar se as suas panelas são as adequadas, realizando um teste magnético. Mova um íman no sentido da base da panela. Se este for atraído, a panela é adequada para indução.
- Se não tiver um íman:
 1. Coloque alguma água na panela que pretende verificar.
 2. Se o visor não piscar e a água começar a aquecer, a panela é adequada.
- Panelas nos seguintes materiais não são adequadas: aço inoxidável, alumínio ou cobre sem base magnética, vidro, madeira, porcelana, cerâmica ou terracota.



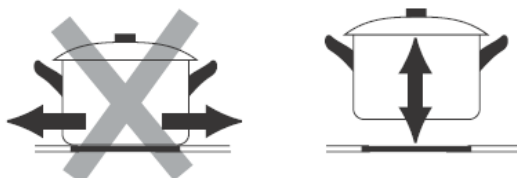
Não use panelas com pontas dentadas ou bases curvas.



Verifique se a base da panela é lisa, se assenta bem contra o vidro e se é do mesmo tamanho da zona de indução. Use panelas com o mesmo diâmetro do gráfico que se encontra na zona selecionada. Usar uma panela ligeiramente mais larga faz com que a energia seja consumida ao máximo da sua eficiência. Se usar uma panela mais pequena, pode reduzir a eficiência esperada. Panelas com menos de 140 mm de diâmetro podem não ser detetadas pela placa. Centre bem a panela sobre a zona de indução.



Retire sempre as panelas da placa de indução, levantando e não deslizando, pois pode arranhar o vidro.

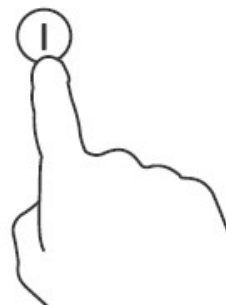


Usar a placa de indução

Para começar a cozinhar

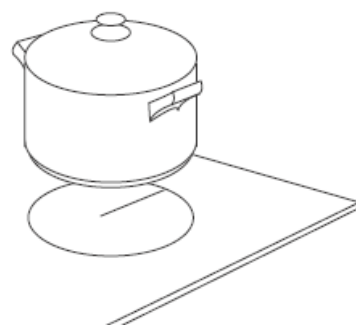
1. Toque o controlo ON/OFF.

Depois de ligada, o bip toca uma vez, e todos os visores apresentam " - " ou " - - ", indicando que a placa de indução entrou no modo de standby.



2. Coloque a panela adequada sobre a zona de indução que quer usar.

- Confirme se o fundo da panela e a superfície de indução estão limpas e secas.



3. Toque o controlo de seleção da zona de indução até que o indicador fique a piscar.



4. Selecione o ajuste de calar tocando no controlo "-" ou "+".

- Se não selecionar um ajuste de calor dentro de 1 minuto, a placa de indução desliga-se. É necessário recomeçar novamente a partir do passo 1.



- Pode modificar o ajuste de calor a qualquer momento durante a cozedura.

Se o visor piscar alternadamente com o ajuste de calor

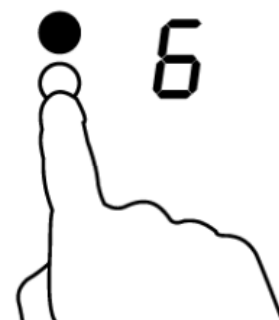
Isto significa que:

- A panela não está corretamente colocada sobre a zona de calor, ou
- A panela que está a usar não é adequada para indução, ou
- A panela é muito pequena ou não está corretamente centrada na zona de indução.

O indução não ocorre exceto quando se encontra a panela correta sobre a zona de indução. Após 2 minutos, o visor desliga-se automaticamente se não estiver colocada uma panela sobre a zona de indução.

Quando acaba de cozinhar

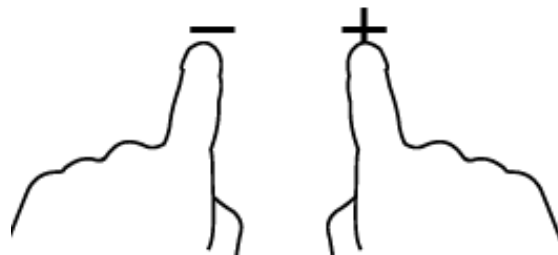
1. Toque no controlo de seleção da zona de indução que pretende desligar.



2. Desligue a zona de indução, premindo os controlos até "0" usando as teclas "-" e "+". Confirme sempre que o visor apresenta "0".



OU



3. Desligue a placa tocando no controlo ON/OFF.



4. Cuidado com as superfícies quentes

A letra H indica que a zona de indução ainda está quente. Desaparece quando a superfície tiver arrefecido para uma temperatura segura. Também pode ser usada como uma função de poupança de energia, pois a superfície quente da placa pode ser usada para aquecer mais panelas.



Bloquear os controlos

- Pode bloquear os controlos para prevenir uso não intencionado (por exemplo por crianças que ligam acidentalmente as zonas de indução).
- Quando os controlos estão bloqueados, todos os controlos exceto o controlo ON/OFF ficam desativados.

Para bloquear os controlos

Toque o controlo da chave de bloqueio. O indicador do temporizador apresenta "Lo"

Para desbloquear os controlos

1. Mantenha premida o controlo da chave durante alguns segundos.
2. É agora possível usar a placa de indução.



Quando a placa se encontra bloqueada, todos os controlos ficam desativados exceto ON/OFF, sendo possível ligar a placa de indução com o controlo ON/OFF em caso de emergência, embora seja necessário desbloquear a placa se pretender efetuar mais alguma operação.

Proteção de sobretemperatura

Um sensor de temperatura integrado monitoriza a temperatura no interior da placa de indução. Quando é monitorizada uma temperatura excessiva, a operação da placa de indução é parada automaticamente.

Deteção de pequenos artigos

Quando é detetada uma panela de pequenas dimensões ou com base não magnética (ex. alumínio), ou outros pequenos itens (ex. Faca, garfo, chave) em cima da placa, a zona passa automaticamente para o modo standby em 1 minuto. O ventilador continua a arrefecer a placa de indução durante mais 1 minuto.

Proteção de desligamento automático

O desligamento automático é uma função de segurança da placa de indução. Desliga automaticamente a placa sempre que o utilizador se esquecer de desligar a zona de indução. Os tempos de utilização por defeito para os vários níveis de potência são apresentados na tabela abaixo:

Nível de potência	1	2	3	4	5	6	7	8	9
Temporizador de trabalho por defeito (hora)	8	8	8	4	4	4	2	2	2

Quando a panela é retirada, a placa de indução deixa imediatamente de aquecer e a placa é desligada automaticamente após 2 minutos.



Pessoas com um pacemaker cardíaco devem consultar um médico antes de usarem esta unidade.

Usar o temporizador

Pode usar o temporizador de duas formas diferentes:

- Pode usá-lo como cronómetro. Neste caso, o temporizador não desligará nenhuma das zonas de indução durante o tempo definido.
- Pode defini-lo para ligar uma das zonas de indução a uma determinada hora.
- Pode ajustar o temporizador até 99 minutos.

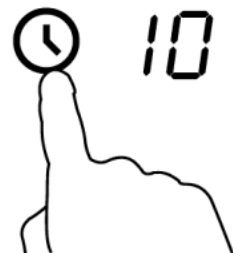
Usar o temporizador como cronómetro

Se não estiver a seleccionar uma zona de indução

1. Confirme se a placa está ligada.

Nota: pode usar o cronómetro mesmo se não estiver a seleccionar uma zona de indução.

2. Toque no controlo do temporizador, o cronómetro começa a piscar e aparece "10" no visor do temporizador.



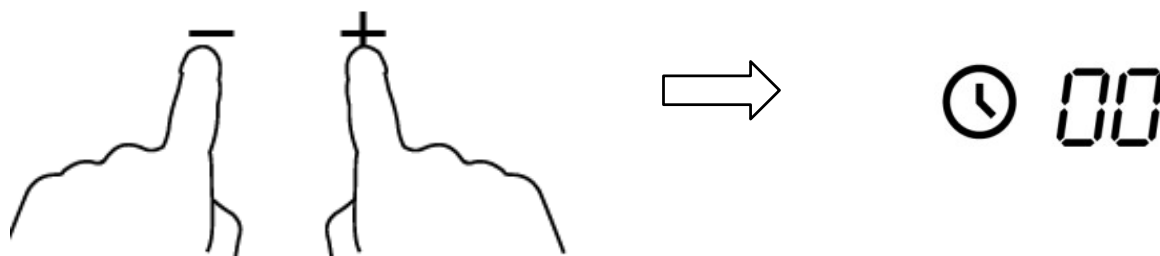
3. Definir o tempo tocando o controlo "-" ou "+" do temporizador.

Dica: Toque o controlo "-" ou "+" do temporizador uma vez para diminuir ou aumentar 1 minuto.

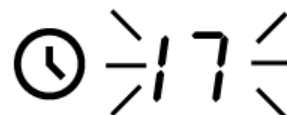
Manter premido o controlo "-" ou "+" do temporizador uma vez para diminuir ou aumentar 10 minutos.

Se o tempo definido exceder 99 minutos, o temporizador retorna automaticamente para 00 minutos.

4. Tocar "-" e "+" em conjunto, cancela o temporizador, e "00" é apresentado no visor de minutos.



5. Quando o temporizador é ajustado, começa a contagem decrescente imediatamente. O visor apresenta o tempo restante e o indicador do temporizador pisca durante 5 minutos.

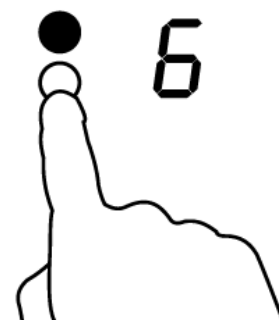


6. O alarme toca durante 30 segundos e o indicador do temporizador apresenta "- -" quando o tempo ajustado tiver terminado.

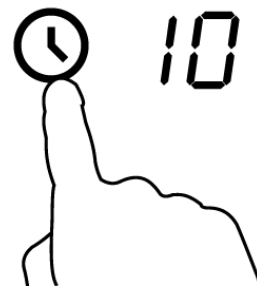


Ajustar o temporizador para desligar uma zona de indução

1. Toque no controlo de seleção da zona de indução para a qual pretende ajustar o temporizador.



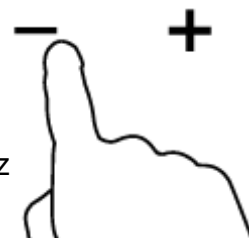
2. Toque no controlo do temporizador, o cronómetro começa a piscar e aparece "10" no visor do temporizador.



3. Definir o tempo tocando o controlo "-" ou "+" do temporizador.

Dica: Toque o controlo "-" ou "+" do temporizador uma vez para diminuir ou aumentar 1 minuto.

Toque o controlo "-" ou "+" do temporizador uma vez para diminuir ou aumentar 10 minutos.

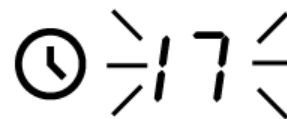


Se o tempo definido exceder 99 minutos, o temporizador retorna automaticamente para 00 minutos.

4. Tocar "-" e "+" em conjunto, cancela o temporizador, e "00" é apresentado no visor de minutos.



5. Quando o temporizador é ajustado, começa a contagem decrescente imediatamente. O visor apresenta o tempo restante e o indicador do temporizador pisca durante 5 minutos.



NOTA: O ponto vermelho próximo do indicador do nível de potência acende, indicando que essa zona é selecionada.



6. Quando o temporizador de cozedura expira, a zona de indução correspondente desliga automaticamente.



As outras zonas de indução continuam a funcionar se tiverem sido ligadas previamente.

Instruções para cozinhar



Cuidado ao fritar pois o óleo/azeite e a gordura aquecem muito rapidamente, particularmente se estiver a usar PowerBoost. A temperaturas extremamente elevadas o óleo/azeite e a gordura inflamam espontaneamente e isto representa um risco muito alto de incêndio.

Dicas para cozinhar

- Quando os alimentos começam a ferver, reduza a temperatura definida.
- Usar uma tampa reduz os tempos de cozedura e poupam energia retendo o calor.
- Minimize a quantidade de líquido ou gordura para reduzir os tempos de cozedura.
- Comece a cozinhar a uma temperatura elevada e reduza quando os alimentos estiverem quentes.

Cozinhar em lume brando, cozinhar arroz

- Cozinhar em lume brando significa abaixo do ponto de ebulição, a cerca de 85°C, quando se começam a formar bolhas ocasionalmente no líquido de cozedura. Este é o segredo para sopas deliciosas e guisados tenros e saborosos, porque os sabores se desenvolvem mais sem cozinhar em demasia os alimentos. Os molhos com base em ovos e engrossados com farinha também devem ser cozinhados em lume brando.
- Algumas tarefas, incluindo cozinhar arroz pelo método de absorção, podem requerer uma temperatura um pouco acima da mínima para assegurar que o alimento é cozinhado corretamente no tempo recomendado.

Selar bife

Para cozinhar os bifes suculentos:

1. Deixe a carne repousar à temperatura ambiente durante 20 minutos antes de cozinhar.
2. Aqueça uma frigideira pesada.
3. Pincele ambos os lados do bife com óleo/azeite. Borrife uma pequena quantidade de óleo/azeite na frigideira e coloque o bife.

4. Volte o bife apenas uma vez. O tempo exato de cozedura depende da espessura do bife e de como o quer cozinhado - mal, médio ou bem passado. Os tempos podem variar entre 2 – 8 minutos para cada lado. Pressione o bife para sentir o ponto de cozedura - quanto mais firme estiver mais “bem passado” se encontra.
5. Antes de servir, deixe o bife repousar num prato aquecido durante alguns minutos para que relaxe e fique mais tenro.

Para refogar

1. Escolha um wok de base plana, adequado para indução ou uma frigideira grande.
2. Prepare todos os ingredientes e equipamento. Refogar alimentos deve ser rápido. Se estiver a cozinhar grandes quantidades, cozinhe os alimentos diversas pequenas porções.
3. Aqueça previamente a frigideira brevemente e adicione duas colheres de sopa de óleo/azeite.
4. Cozinhe a carne em primeiro e reserve, mantendo-a quente.
5. Refogar os vegetais. Quando estão quentes e ainda crocantes, coloque a zona de indução a uma temperatura mais baixa, volte a colocar a carne na frigideira e adicione o molho.
6. Mexer todos os ingredientes com cuidado para que aqueçam.
7. Servir imediatamente.

Ajustes do calor

Os ajustes abaixo são apenas indicativos. O ajuste exato depende de diversos fatores, incluindo a sua placa e as quantidades que estão a ser cozinhadas. Experimente com a placa de indução até encontrar quais os ajustes que melhor se adequam às suas necessidades.

Ajustes do calor	Adequado para
1 - 2	<ul style="list-style-type: none"> • Aquecer lentamente pequenas quantidades de alimentos • Derreter chocolate, manteiga e alimentos que queimem rapidamente • Cozinhar em lume brando • Aquecer lentamente
3 - 4	<ul style="list-style-type: none"> • Reaquecer • Cozinhar em lume brando rapidamente • Cozinhar arroz
5 - 6	<ul style="list-style-type: none"> • Panquecas
7 - 8	<ul style="list-style-type: none"> • Saltear • Cozinhar massas
9	<ul style="list-style-type: none"> • Refogar • Selar • Ferver sopa • Ferver água


Cuidados e limpeza

Os ajustes abaixo são apenas indicativos. O ajuste exato depende de diversos fatores, incluindo a sua placa e as quantidades que estão a ser cozinhadas. Experimente com a placa até encontrar quais os ajustes que melhor se adequam às suas necessidades.

O quê?	Como?	Importante!
Sujidade diária em vidros (dedadas, marcas, manchas deixadas por alimento e derrames não açucarados sobre o vidro)	<ol style="list-style-type: none">1. Desligar a alimentação elétrica.2. Aplicar o produto de limpeza enquanto o vidro está morno (mas não quente!)3. Enxaguar e secar com um pano limpo ou com uma toalha de papel.4. Ligar novamente a alimentação elétrica.	<ul style="list-style-type: none">• Quando a alimentação elétrica está desligada, não existe nenhuma indicação de "superfície quente", mas a zona de indução ainda pode estar quente! Tenha muito cuidado.• Esfregões ásperos, alguns esfregões em nylon e produtos de limpeza fortes/abrasivos, podem riscar o vidro. Leia sempre o rótulo para confirmar se o produto de limpeza ou esfregão são adequados.• Nunca deixe resíduos do produto de limpeza na placa de indução; o vidro pode ficar manchado.
Os derrames de fervuras, derretimentos e alimentos açucarados no vidro	<p>devem ser removidos imediatamente com uma espátula ou raspador metálico apropriado para placas de vidro de indução, mas prestando atenção às zonas de indução ainda quentes:</p> <ol style="list-style-type: none">1. Desligar novamente a alimentação elétrica.2. Segurar a lâmina ou utensílio num ângulo de 30° e raspar a sujidade ou derrame para a área fria da placa de indução.3. Limpar a sujidade ou derrame com um pano da loiça ou toalha de papel.4. Seguir os passos 2 a 4 para "Sujidade diária no vidro".	<ul style="list-style-type: none">• Remover as manchas deixadas pelos derrames de alimentos açucarados, logo que possível. Se os deixar arrefecer sobre o vidro, podem ser mais difíceis de remover ou podem mesmo danificar permanentemente a superfície de vidro.• Perigo de corte: quando a tampa de segurança é recolhida, a lâmina do raspador é muito afiada. Use com extremo cuidado e guarde sempre em segurança e fora do alcance das crianças.
Derrames sobre os controlos táteis	<ol style="list-style-type: none">1. Desligar a alimentação elétrica.2. Ensaboar o derrame3. Limpar a área do controlo tátil com uma esponja ou pano limpos humedecidos.4. Seque a área completamente com uma toalha de papel.5. Ligar novamente a alimentação elétrica.	<ul style="list-style-type: none">• A placa pode emitir um bip ou desligar e os controlos táteis podem não funcionar enquanto não estiverem completamente secos. Assegure-se de que seca a área de controlo antes de voltar a ligar a placa novamente.

Dicas e sugestões

Problema	Possíveis causas	O que fazer
A placa de indução não pode ser ligada.	Sem alimentação elétrica.	Confirme se a placa de indução está ligada à rede elétrica e se está ligada. Verifique se há eletricidade na casa e na sua área. Se verificou tudo isto e o problema continua, contacte um técnico qualificado.
Os controlos táteis não respondem.	Os controlos estão bloqueados.	Desbloquear os controlos Consulte a secção "Usar a placa de indução" para mais instruções.
Os controlos táteis são difíceis de operar.	Pode existir uma película líquida sobre os controlos ou pode estar a usar a unha para tocar nos controlos.	Confirme se a área do controlo tátil está seca e se usa a ponta dos dedos para tocar nos controlos.
O vidro está riscado.	<p>Panelas com rebordos ásperos.</p> <p>Estão a ser usados produtos de limpeza inadequados ou esfregões abrasivos.</p>	<p>Use panelas com bases planas e lisas. Consulte "Selecionar as panelas corretas".</p> <p>Consulte "Cuidados e limpeza".</p>
Algumas panelas estalam ou fazem ruídos.	Isto pode ser causado pela construção das suas panelas (camadas de diferentes metais que vibram de forma diferente).	Isto é normal com as panelas e não indica uma falha.
A placa de indução emite um ruído contínuo baixo quando a temperaturas mais altas.	Isto é provocado pela tecnologia da cozinha de indução.	Isto é normal, mas o ruído deve desaparecer completamente quando diminui a temperatura.
Ruído de ventilador proveniente da placa de indução.	Existe um ventilador embutido na sua placa indução para impedir o sobreaquecimento dos produtos eletrónicos. Pode continuar a funcionar mesmo depois de ter desligado a placa de indução.	Isto é normal e não requer qualquer ação. Não desligar a placa de indução enquanto o ventilador estiver a funcionar.

<p>As panelas ficam quentes e  aparece no visor.</p>	<p>A placa de indução não consegue detetar a panela porque não é adequada para indução.</p> <p>A placa de indução não consegue detetar a panela porque é muito pequena para a zona de indução ou porque não está corretamente centrada sobre a mesma.</p>	<p>Use panelas adequadas para cozinha em indução. Consulte "Selecionar as panelas corretas".</p> <p>Centre a panela e verifique que a sua base corresponde ao tamanho da zona de indução.</p>
<p>A placa de indução ou a zona de indução desligaram inesperadamente, foi escutado um toque e exibido um código de erro (normalmente alternando com um ou dois dígitos no visor do temporizador de cozinha).</p>	<p>Falha técnica.</p>	<p>Anote as letras e os números do erro, desligue a placa de indução no quadro elétrico e contacte um técnico qualificado.</p>

Não tente nunca desmontar a unidade.

Visor de falhas e inspeção

Se ocorrer uma falha, a placa de indução entrará automaticamente no estado de proteção e exibirá os códigos de proteção correspondentes:

Problema	Possíveis causas	O que fazer
F3-F8	Falha do sensor de temperatura	Contactar o fornecedor.
F9-FE	Falha do IGBT do sensor de temperatura.	Contactar o fornecedor.
E1/E2	Tensão de alimentação anormal	Confirme se a tensão de alimentação é normal. Ligar depois da potência de alimentação estar normal.
E3/E4	Temperatura anormal	Inspeccionar a potência.
E5/E6	Má radiação de calor da placa de indução	Reiniciar depois da placa de indução ter arrefecido.

As indicações acima apresentam respostas a falhas comuns.

Não desmontar a unidade para evitar qualquer risco e danos na placa de indução.

Especificação técnica

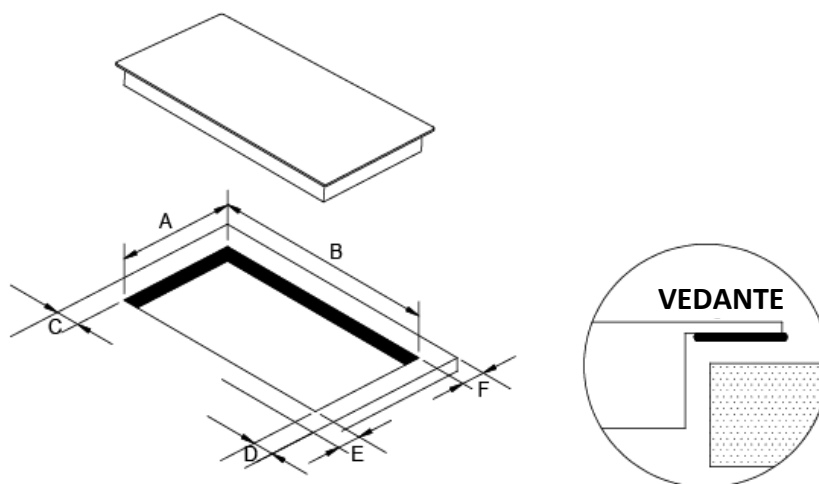
Placa de indução	CDI 30
Zonas de indução	2 Zonas
Tensão de alimentação	220-240V~ 50/60Hz
Potência elétrica instalada	3500 W
Dimensão do produto C×L×A (mm)	288X520X56
Dimensões de construção A×B (mm)	268X500

O peso e as dimensões são aproximados. Porque procuramos melhorar sempre os nossos produtos, podemos alterar as especificações e desenhos sem aviso prévio.

Instalação

Seleção do equipamento de instalação

Cortar a superfície de trabalho de acordo com as medidas apresentadas no desenho. Para instalação e utilização, deve ser deixado em volta do furo um espaço de 5 cm. Confirme se a espessura da superfície de trabalho é de, no mínimo, 30 mm. Selecione um material resistente ao calor para a superfície de trabalho para evitar deformações provocadas pela radiação de calor da placa quente. Como apresentado abaixo:

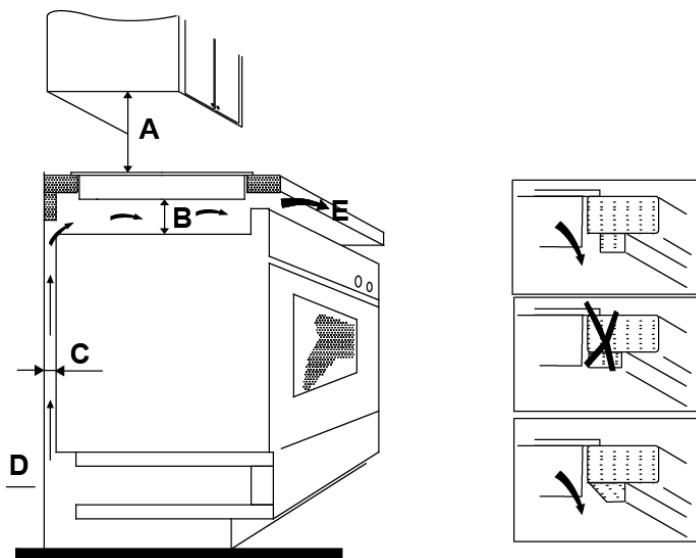


A (mm)	B (mm)	C (mm)	D (mm)	E (mm)	F (mm)
268+4 -0	500+4 -0	50 min	50 min	50 min	50 min

Certifique-se sempre de que a placa de indução está bem ventilada e que a entrada e saída de ar não estão bloqueadas. Assegure-se de que a placa de indução está em boas condições de funcionamento. Como apresentado abaixo



Nota: A distância de segurança entre a placa quente e o armário por cima da placa deve ser de, no mínimo, 760 mm.



A (mm)	B (mm)	C (mm)	D	E
760	50 min	30 min	Entrada de ar	Saída de ar 10 mm

Antes de instalar a placa, confirme que

- A superfície de trabalho é quadrada e está nivelada, e que nenhuma estrutura interfere com os requisitos de espaço
- A superfície de trabalho é fabricada em material resistente ao calor
- Se a placa for instalada por cima do forno, confirmar que este tem um ventilador de arrefecimento integrado
- A instalação está em conformidade com todos os requisitos e normas e regulamentações e normas aplicáveis
- Existe um interruptor de isolamento para corte da rede de alimentação, integrado na cablagem permanente, montado e posicionado para cumprir com as regras e regulamentações locais de cablagem.

O interruptor de isolamento deve ser de um tipo aprovado e fornecer um intervalo de ar de separação com 3 mm em todos os polos (ou em todas os condutores [fases] ativos se as regras de cablagem locais permitirem esta variação de requisitos).

- O interruptor de isolamento será facilmente acessível ao cliente com a placa instalada
- Pode consultar as autoridades locais em caso de dúvida sobre a instalação
- São usados acabamentos resistentes ao calor e fáceis de limpar (tais como azulejos cerâmicos) para as paredes circundantes da placa.

Quanto a placa estiver instalada, confirme que

- O cabo de alimentação de potência não é acessível através das portas ou gavetas dos armários
- Existem fluxo de ar fresco adequado do exterior dos armários para a base da placa
- Se a placa está instalada por cima de uma gaveta ou espaço de armário, foi instalada uma barreira de proteção por baixo da base da placa
- O interruptor de isolamento é de fácil acesso para o utilizador.

Antes da colocação das braçadeiras de fixação

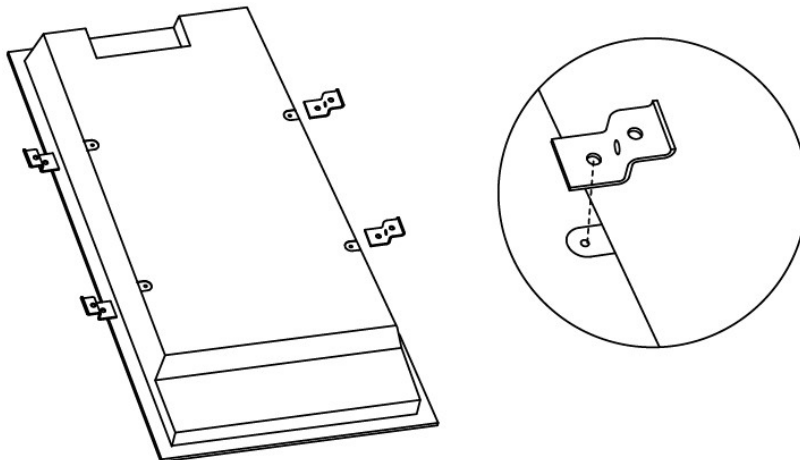
A unidade deve ser colocada sobre uma superfície estável e plana (usar a embalagem).

Não aplicar força contra os controlos salientes da placa.

Ajustar a posição da braçadeira

Fixar a placa à superfície de trabalho aparafusando 4 braçadeiras ao fundo da placa (ver imagem) depois da instalação.

Ajustar a posição da braçadeira de acordo com as diferentes espessuras do quadro superior.



Cuidados

1. A placa de indução deve ser instalada por pessoal ou técnicos qualificados. Temos profissionais ao seu serviço. Nunca realize estas operações você mesmo.

2. A placa não deve ser instalada diretamente por cima da máquina de lavar loiça, frigorífico, arca congeladora, máquina de lavar ou máquina de secar, pois a humidade pode danificar a parte eletrónica da placa.
3. A placa de indução deve ser instalada de forma a assegurar a melhor radiação do calor para aumentar a sua fiabilidade.
4. A parede e a zona de calor induzido acima da superfície deve aguentar calor.
5. Para evitar danos, a camada colada e adesiva devem ser resistentes ao calor.

Ligação da placa à rede de alimentação elétrica



Esta placa deve ser ligada à rede de alimentação elétrica apenas por um profissional qualificado.

Antes de ligar a placa à rede de alimentação elétrica, confirme se:

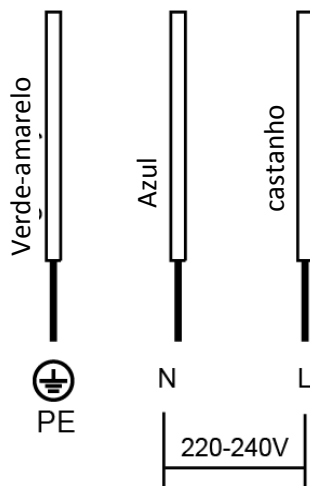
1. O sistema de cablagem doméstico é adequado para a potência requerida pela placa
2. A tensão corresponde ao valor apresentado na chapa de características
3. As secções do cabo de alimentação elétrica suportam a carga especificada na chapa de características. Para ligar a placa à rede de alimentação elétrica, não use adaptadores, redutores ou dispositivos de comutação, já que estes podem provocar sobreaquecimento e incêndio.

O cabo de alimentação elétrica não deve tocar nenhuma peça quente e deve ser posicionado para que a sua temperatura não exceda os 75°C em nenhum ponto.



Confirme com um eletricista se o sistema de cablagem doméstico não necessita de nenhuma alteração. Quaisquer alterações devem ser realizadas apenas por eletricistas qualificados.

A alimentação elétrica deve ser ligada em conformidade com a norma relevante ou com um disjuntor unipolar. O método de ligação é apresentado abaixo.



- Se o cabo estiver danificado ou tiver que ser substituído, a operação deve ser realizada pelo agente pós-venda, com ferramentas dedicadas para evitar qualquer acidente.
- Se o equipamento estiver ligado diretamente à rede , deve ser instalado um disjuntor monopolar com uma abertura mínima de 3 mm entre contactos.
- O instalador deve assegurar que a ligação elétrica correta foi realizada e que está em conformidade com as regulamentações de segurança.
- O cabo não deve ser dobrado ou comprimido.
- O cabo deve ser verificado regularmente e substituído apenas por técnicos autorizados.
- O fio amarelo/verde do cabo de alimentação elétrica deve ser ligado ao terra de ambos os terminais da alimentação elétrica do equipamento.
- O fornecedor não pode ser responsabilizado por quaisquer acidentes resultantes do uso de um equipamento que não está ligado à terra ou com a continuidade da ligação à terra com defeito.
- Se o equipamento tiver uma tomada, esta deve ser instalada de forma a que fique acessível.



DESTRUIÇÃO: Não elimine este produto como resíduo municipal não separado. É necessária a recolha deste tipo de resíduos separadamente para tratamento especial.

Este equipamento está etiquetado em conformidade com a Diretiva Europeia de 2012/19/EC para Resíduos Elétricos e Equipamento Elétrico (WEEE). Ao assegurar que este equipamento é eliminado corretamente, ajuda a prevenir qualquer dano para o ambiente e para a saúde humana, que pode ser causado se este for eliminado incorretamente.

O símbolo no produto indica que não pode ser tratado como resíduos domésticos normais. Deve ser levado para o ponto de recolha para a reciclagem de produtos elétricos e eletrónicos.

Este equipamento requer um especialista de eliminação de resíduos. Para mais informações relativamente ao tratamento, recolha e reciclagem deste produto, contacte o seu município local, o serviço de eliminação de resíduos domésticos ou o vendedor do equipamento.

Para mais informações sobre tratamento, recolha e reciclagem deste produto, contacte o seu município local, o serviço de eliminação de resíduos domésticos ou o vendedor do equipamento.

Προειδοποιήσεις Ασφαλείας

Η ασφάλειά σας είναι σημαντική για εμάς. Παρακαλούμε να διαβάσετε αυτές τις πληροφορίες πριν χρησιμοποιήσετε τις εστίες σας.

Εγκατάσταση

Κίνδυνος Ηλεκτροπληξίας

- Αποσυνδέστε τη συσκευή από το ηλεκτρικό δίκτυο πριν από την εκτέλεση οποιασδήποτε εργασίας ή συντήρησης σε αυτήν.
- Η σύνδεση με καλό σύστημα γείωσης είναι απαραίτητη και υποχρεωτική.
- Τροποποιήσεις στο οικιακό σύστημα καλωδίωσης θα πρέπει να γίνονται μόνο από εξειδικευμένο ηλεκτρολόγο.
- Εάν δεν ακολουθήσετε αυτή τη συμβουλή, μπορεί να προκληθεί ηλεκτροπληξία ή θάνατος.

Κίνδυνος Κοψίματος

- Προσέξτε - οι άκρες είναι κοφτερές.
- Αν δεν προσέξετε, μπορεί να προκληθούν τραυματισμοί ή κοψίματα.

Σημαντικές οδηγίες για την ασφάλεια

- Διαβάστε προσεκτικά τις οδηγίες πριν από την εγκατάσταση ή τη χρήση της συσκευής.
- Καθόλου καύσιμα υλικά ή προϊόντα δεν πρέπει να τοποθετούνται επάνω στη συσκευή αυτή για οποιονδήποτε λόγο.
- Παρακαλούμε να παρέχετε τις πληροφορίες αυτές στη διάθεση του προσώπου που είναι υπεύθυνο για την εγκατάσταση της συσκευής, επειδή θα μπορούσε έτσι να μειωθεί το κόστος εγκατάστασης για εσάς.
- Για να αποφύγετε τον κίνδυνο, αυτή η συσκευή πρέπει να εγκατασταθεί σύμφωνα με τις παρούσες οδηγίες εγκατάστασης.
- Αυτή η συσκευή πρέπει να εγκατασταθεί σωστά και να γειωθεί μόνο από ένα κατάλληλα ειδικευμένο άτομο.
- Η συσκευή αυτή πρέπει να συνδεθεί σε κύκλωμα το οποίο περιλαμβάνει διακόπτη απομόνωσης για την πλήρη αποσύνδεσή της από την παροχή ηλεκτρικού ρεύματος.
- Εάν η συσκευή δεν τοποθετηθεί σωστά, ενδέχεται να επιφέρει ακύρωση οποιωνδήποτε αξιώσεων από εγγύηση ή ευθύνη.

Χειρισμός και συντήρηση

Κίνδυνος Ηλεκτροπληξίας

- Μην μαγειρεύετε σε σπασμένη ή ραγισμένη εστία. Αν η επιφάνεια της εστίας σπάσει ή ραγίσει, να αποκόψετε τη συσκευή αμέσως από το ηλεκτρικό δίκτυο (διακόπτης τοίχου) και να επικοινωνήσετε με έναν ειδικευμένο τεχνικό.
- Αποκόψτε τις εστίες από την παροχή του τοίχου πριν από τον καθαρισμό ή τη συντήρηση.
- Εάν δεν ακολουθήσετε αυτή τη συμβουλή, μπορεί να προκληθεί ηλεκτροπληξία ή θάνατος.

Κίνδυνος για την Υγεία

- Η συσκευή αυτή είναι σύμμορφη με τα πρότυπα ηλεκτρομαγνητικής ασφαλείας.
- Ωστόσο, άτομα με βηματοδότες ή άλλα ηλεκτρικά εμφυτεύματα (όπως αντλίες ινσουλίνης), θα πρέπει να συμβουλευτούν το γιατρό τους ή τον κατασκευαστή του εμφυτεύματός τους πριν χρησιμοποιήσουν τη συσκευή για να βεβαιωθούν ότι τα εμφυτεύματά τους δεν θα επηρεαστούν από το ηλεκτρομαγνητικό πεδίο.
- Εάν δεν ακολουθήσετε αυτή τη συμβουλή, μπορεί να προκληθεί θάνατος.

Κίνδυνος Καψίματος

- Κατά τη χρήση, τα προσβάσιμα μέρη της συσκευής αυτής θερμαίνονται αρκετά, σε σημείο που να προκαλούν εγκαύματα.
- Το σώμα σας, τα ρούχα ή οποιοδήποτε άλλο αντικείμενο, εκτός από τα κατάλληλα μαγειρικά σκεύη δεν πρέπει να έρθουν σε επαφή με το Επαγωγικό γυαλί έως ότου η επιφάνεια κρυώσει.
- Προσοχή: τα μαγνητίσιμα μεταλλικά αντικείμενα που φοριούνται στο σώμα μας μπορεί να ζεσταθούν κοντά στην εστία. Τα χρυσά και ασημένια κοσμήματα δεν θα επηρεαστούν.
- Τα παιδιά δεν πρέπει να πλησιάζουν.
- Τα χερούλια των σκευών μπορεί να είναι καυτά. Ελέγξτε μήπως οι λαβές από τα σκεύη προεξέχουν πάνω από άλλες αναμμένες ζώνες μαγειρέματος. Φροντίστε ώστε οι λαβές να μην είναι προσβάσιμες από παιδιά.
- Εάν δεν ακολουθήσετε αυτή τη συμβουλή, μπορούν να προκληθούν καψίματα και εγκαύματα.

Κίνδυνος Κοψίματος

- Η κοφτερή λεπίδα της ξύστρας εστιών εκτίθεται όταν το κάλυμμα ασφαλείας τραβηχτεί. Χρησιμοποιήστε το με εξαιρετική προσοχή και πάντα να το αποθηκεύετε με ασφάλεια και μακριά από παιδιά.
- Αν δεν προσέξετε, μπορεί να προκληθούν τραυματισμοί ή κοψίματα.

Σημαντικές οδηγίες για την ασφάλεια

- Ποτέ μην αφήνετε τη συσκευή χωρίς επίβλεψη όταν βρίσκεται σε χρήση. Το ξεχείλισμα από βρασμό δημιουργεί καπνούς και λιπαρές κηλίδες οι οποίες μπορεί να αρπάξουν φωτιά.
- Ποτέ μην χρησιμοποιείτε τη συσκευή σας ως επιφάνεια εργασίας ή αποθήκευσης.
- Ποτέ μην αφήνετε αντικείμενα ή σκεύη πάνω στη συσκευή.
- Μην τοποθετείτε ή αφήνετε αντικείμενα που μαγνητίζονται (π.χ. πιστωτικές κάρτες, κάρτες μνήμης) ή ηλεκτρονικές συσκευές (π.χ. υπολογιστές, MP3 players) κοντά στη συσκευή, καθώς μπορεί να επηρεαστούν από το ηλεκτρομαγνητικό πεδίο της.
- Ποτέ μην χρησιμοποιείτε τη συσκευή σας για ζέσταμα ή θέρμανση του δωματίου.
- Μετά από κάθε χρήση, να σβήνετε πάντα τις ζώνες μαγειρέματος και τις εστίες, όπως περιγράφεται σε αυτό το εγχειρίδιο (δηλαδή χρησιμοποιώντας τα χειριστήρια αφής). Μην βασίζεστε στη λειτουργία ανίχνευσης σκεύους για να απενεργοποιηθούν οι ζώνες μαγειρέματος όταν απομακρύνετε τα σκεύη.
- Μην αφήνετε τα παιδιά να παίζουν με τη συσκευή ή να κάθονται, να στηρίζονται, ή να σκαρφαλώνουν πάνω της.
- Μην αποθηκεύετε αντικείμενα που ενδιαφέρουν τα παιδιά σε ντουλάπια πάνω από τη συσκευή. Παιδιά που σκαρφαλώνουν στην εστία μπορεί να τραυματιστούν σοβαρά.
- Μην αφήνετε τα παιδιά μόνα τους ή χωρίς επιτήρηση στο χώρο που η συσκευή λειτουργεί.
- Παιδιά ή άτομα με αναπηρία η οποία περιορίζει την ικανότητά τους να χρησιμοποιούν τη συσκευή θα πρέπει να έχουν ένα υπεύθυνο και κατάλληλο άτομο για να τους μάθει τη χρήση της. Ο εκπαιδευτής πρέπει να είναι σίγουρος ότι θα μπορούν να χρησιμοποιούν τη συσκευή χωρίς κίνδυνο για τον εαυτό τους ή το περιβάλλον τους.
- Μην επισκευάζετε και μην αντικαθιστάτε κάποιο εξάρτημα της συσκευής, εκτός κι αν προτείνεται σαφώς στο εγχειρίδιο. Οποιαδήποτε άλλη συντήρηση θα πρέπει να γίνεται από εξειδικευμένο τεχνικό.
- Μην χρησιμοποιείτε ατμοκαθαριστή για να καθαρίζετε την εστία.
- Μην τοποθετείτε και μη ρίχνετε βαριά αντικείμενα πάνω στην εστία σας.
- Μην στηρίζετε πάνω στην εστία σας.
- Μην χρησιμοποιείτε σκεύη με τραχιές ακμές και μη σέρνετε τα σκεύη στη επιφάνεια του Επαγωγικού τζαμιού, επειδή αυτό μπορεί να χαράξει το γυαλί.

- Μην χρησιμοποιείτε συρματάκια ή άλλα σκληρά καθαριστικά για να καθαρίσετε την εστία, γιατί αυτά μπορεί να χαράξουν το Επαγωγικό γυαλί.
- Αν το καλώδιο του ρεύματος καταστραφεί, πρέπει να αντικατασταθεί μόνο από εξειδικευμένο τεχνικό.
- Αυτή η συσκευή προορίζεται για χρήση σε οικιακές και παρόμοιες εφαρμογές όπως:
 - χώροι προσωπικού κουζίνας σε καταστήματα, γραφεία και άλλους χώρους εργασίας,
 - αγροικίες,
 - πελάτες ξενοδοχείων, μοτέλ ή άλλων χώρων οικιστικού τύπου,
 - χώρους τύπου πανσιόν.
- Αυτή η συσκευή μπορεί να χρησιμοποιηθεί από παιδιά ηλικίας 8 ετών και άνω και άτομα με μειωμένες σωματικές, αισθητηριακές ή διανοητικές ικανότητες ή έλλειψη εμπειρίας και γνώσης, αν υπάρχει επιτήρηση και αν τους δοθούν οδηγίες σχετικά με την ασφαλή χρήση της συσκευής ώστε να κατανοήσουν τους κινδύνους που εμπλέκονται. Τα παιδιά δεν πρέπει να παίζουν με τη συσκευή. Ο καθαρισμός και η συντήρηση από το χρήστη δεν θα πρέπει να γίνεται από παιδιά χωρίς επίβλεψη.
- **ΠΡΟΕΙΔΟΠΟΙΗΣΗ:** Το μαγείρεμα στην εστία, χωρίς παρακολούθηση, με λιπαρά ή λαδερρά υλικά, μπορεί να είναι επικίνδυνο και μπορεί να προκαλέσει πυρκαγιά. Να μην επιχειρήσετε ΠΟΤΕ να σβήσετε τη φωτιά με νερό, αλλά να κλείσετε τη συσκευή και στη συνέχεια να σκεπάσετε τη φλόγα π.χ. με ένα καπάκι ή ένα πυρίμαχο ύφασμα.
- Μεταλλικά αντικείμενα, όπως μαχαίρια, πιρούνια, κουτάλια και καπάκια δεν πρέπει να τοποθετούνται στην επιφάνεια της εστίας, διότι μπορεί να πυρακτωθούν.
- Μετά τη χρήση, απενεργοποιήστε την εστία από το κομβίο ελέγχου και μην επαναπαύεστε στον ανιχνευτή σκεύους.
- Η συσκευή δεν προορίζεται για να λειτουργεί μέσω εξωτερικού χρονοδιακόπτη ή ξεχωριστού συστήματος τηλεχειρισμού.

Συγχαρητήρια για την αγορά της καινούριας σας Επαγωγικής Επιφάνειας Μαγειρέματος.

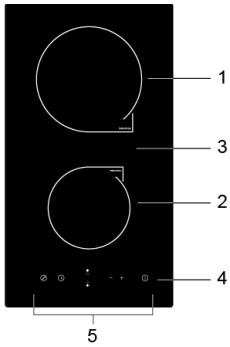
Σας συνιστούμε να αφιερώσετε λίγο χρόνο για να διαβάσετε αυτές τις Οδηγίες Χρήσης/Εγκατάστασης, προκειμένου να κατανοήσετε πλήρως την εγκατάσταση και το χειρισμό της.

Για την εγκατάσταση, διαβάστε το μέρος που αναφέρεται στην εγκατάσταση.

Διαβάστε όλες τις οδηγίες ασφαλείας προσεκτικά πριν από τη χρήση και φυλάξτε αυτές τις Οδηγίες Χρήσης/Εγκατάστασης για μελλοντική αναφορά.

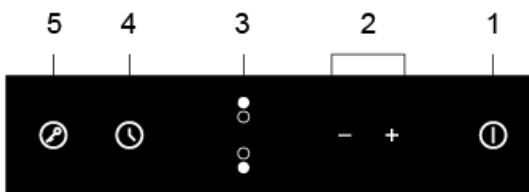
Επισκόπηση προϊόντος

Κάτοψη



1. Ζώνη έως 2000 W το ανώτερο
2. Ζώνη έως 1500 W το ανώτερο
3. Γυάλινη επιφάνεια
4. Κουμπί ON/OFF
5. Πίνακας ελέγχου

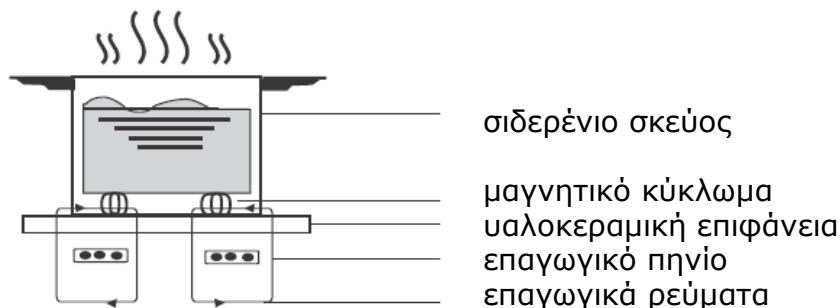
Πίνακας Ελέγχου



1. Κουμπί ON/OFF
2. Κουμπιά ρύθμισης Ισχύος / Χρονομέτρου
3. Κουμπιά επιλογής ζώνης θέρμανσης
4. Κουμπί χρονομέτρου
5. Κουμπί προστασίας (κλείδωμα πλήκτρων)

Λίγα λόγια για το Μαγείρεμα στις Επαγωγικές Εστίες

Οι επαγωγικές εστίες είναι μια ασφαλής, προηγμένη, αποτελεσματική και οικονομική τεχνολογία μαγειρέματος. Λειτουργεί με ηλεκτρομαγνητικές δονήσεις οι οποίες παράγουν θερμότητα απευθείας στο σκεύος, αντί έμμεσα μέσω θέρμανσης της γυάλινης επιφάνειας. Το γυαλί θερμαίνεται μόνο επειδή το σκεύος τελικά το ζεσταίνει.

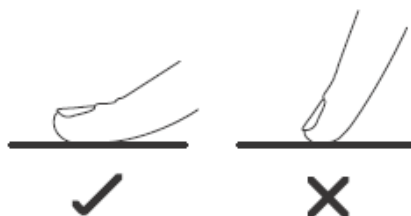


Πριν χρησιμοποιήσετε τη Νέα σας Επαγωγική Εστία

- Διαβάστε αυτές τις οδηγίες, προσέχοντας ιδιαίτερα το μέρος που αναφέρεται στις "Προειδοποιήσεις Ασφαλείας".
- Αφαιρέστε την προστατευτική μεμβράνη που ίσως υπάρχει ακόμα επάνω στην επαγωγική εστία σας.


Πώς χρησιμοποιούμε τα Πλήκτρα Αφής

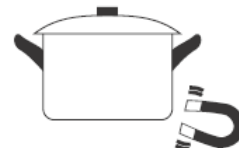
- Τα κουμπιά αυτά ανταποκρίνονται στην αφή, συνεπώς δεν χρειάζεται να εφαρμόσετε κάποια πίεση.
- Χρησιμοποιήστε το στρογγυλό (μαλακό) μέρος του δακτύλου σας, όχι το άκρο του.
- Θα ακούσετε έναν ήχο (μπιπ) κάθε φορά που εισάγεται εντολή με άγγιγμα.
- Να φροντίζετε τα πλήκτρα να είναι πάντα καθαρά, στεγνά, και να μην τα καλύπτει κάποιο αντικείμενο (π.χ. εργαλείο κουζίνας ή πανί). Ακόμη και ένα λεπτό στρώμα νερού μπορεί να δυσκολέψει το χειρισμό των πλήκτρων.



Πώς επιλέγουμε τα σωστά Μαγειρικά Σκεύη



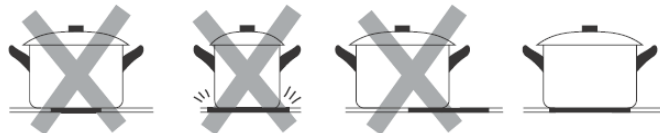
- Να χρησιμοποιείτε μόνο σκεύη που διαθέτουν κατάλληλο πάτο για μαγείρεμα σε επαγωγή επιφάνεια. Αναζητήστε το σύμβολο της επαγωγής στη συσκευασία ή στο κάτω μέρος του σκεύους.
- Μπορείτε να ελέγξετε εάν το μαγειρικό σκεύος είναι κατάλληλο κάνοντας τη δοκιμή του μαγνήτη. Πλησιάστε ένα μαγνήτη στον πάτο του σκεύους. Αν έλκονται, το σκεύος είναι κατάλληλο για επαγωγή.
- Αν δεν έχετε μαγνήτη:
 1. Ρίξτε λίγο νερό στο σκεύος που θέλετε να ελέγξετε.
 2. Εάν το  δεν αναβοσβήνει στην οθόνη και το νερό θερμαίνεται, το σκεύος είναι κατάλληλο.
- Τα μαγειρικά σκεύη που είναι φτιαγμένα από τα παρακάτω υλικά δεν είναι κατάλληλα: καθαρό ανοξείδωτο χάλυβα, αλουμίνιο ή χαλκό χωρίς μαγνητική βάση, γυαλί, ξύλο, πορσελάνη, κεραμικά και πήλινα.



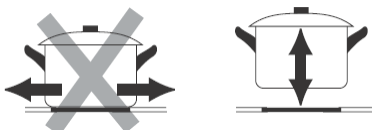
Μην χρησιμοποιείτε σκεύη με τραχιές (πριονωτές) ακμές ή κυρτή βάση.



Βεβαιωθείτε ότι η βάση του τηγανιού σας είναι ομαλή, κάθετη επίπεδη επάνω στο γυαλί, και είναι το ίδιο μέγεθος με τη ζώνη μαγειρέματος. Χρησιμοποιήστε σκεύη με διάμετρο όσο και το αποτυπωμένο σχήμα της ζώνης που επιλέγετε. Εάν χρησιμοποιείτε σκεύος ελαφρώς φαρδύτερο η ενέργεια θα χρησιμοποιείται με τη μέγιστη αποδοτικότητα της. Εάν χρησιμοποιείτε μικρότερο σκεύος η απόδοση ίσως να είναι μικρότερη από την αναμενόμενη. Σκεύη μικρότερα από 140 χιλιοστά μπορεί να μην ανιχνεύονται από την εστία. Πάντα να κεντράρετε το σκεύος επάνω στη ζώνη μαγειρέματος.



Πάντα να σηκώνετε τα σκεύη από την Επαγωγική εστία - μην τα σέρνετε, γιατί μπορεί να χαράξετε το γυαλί.



Πώς θα χρησιμοποιήσετε την Επαγωγική σας Εστία Για να ξεκινήσετε το μαγείρεμα

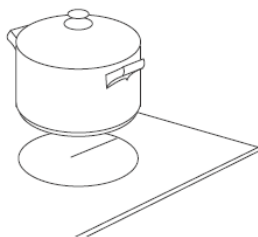
1. Αγγίξτε το κουμπί ON/OFF.

Μετά την ενεργοποίηση, το ηχητικό σήμα ακούγεται μία φορά, όλες οι ενδείξεις δείχνουν "--" ή "-- --", υποδεικνύοντας ότι η επαγωγική εστία έχει εισέλθει στην κατάσταση αναμονής.



2. Τοποθετήστε ένα κατάλληλο σκεύος πάνω στη ζώνη μαγειρέματος που θέλετε να χρησιμοποιήσετε.

- Βεβαιωθείτε ότι το κάτω μέρος του σκεύους και η επιφάνεια της ζώνης μαγειρέματος είναι καθαρά και στεγνά.

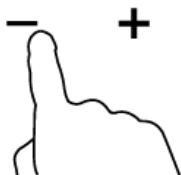


3. Αγγίζοντας το πλήκτρο επιλογής ζώνης θέρμανσης, η ένδειξη δίπλα στο πλήκτρο αναβοσβήνει.



4. Επιλέξτε μια τιμή θερμότητας πατώντας το πλήκτρο "-" ή "+".

- Εάν δεν επιλέξετε μια τιμή θερμότητας μέσα σε 1 λεπτό, η Επαγωγική εστία θα σβήσει αυτόματα. Θα πρέπει να αρχίσετε ξανά από το βήμα 1.
- Μπορείτε να αλλάξετε την τιμή θερμότητας ανά πάσα στιγμή κατά τη διάρκεια του μαγειρέματος.



Εάν η οθόνη αναβοσβήνει εναλλάξ με την τιμή της θερμότητας.

Αυτό σημαίνει ότι:

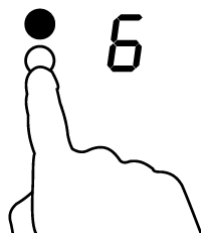
- δεν έχετε τοποθετήσει το σκεύος στη σωστή ζώνη μαγειρέματος ή,
- το σκεύος που χρησιμοποιείτε δεν είναι κατάλληλο για επαγωγικό μαγείρεμα ή,
- το σκεύος είναι πολύ μικρό ή δεν είναι σωστά κεντραρισμένο πάνω στη ζώνη μαγειρέματος.

Δεν δημιουργείται θερμότητα εάν δεν υπάρχει κατάλληλο σκεύος πάνω στη ζώνη μαγειρέματος.

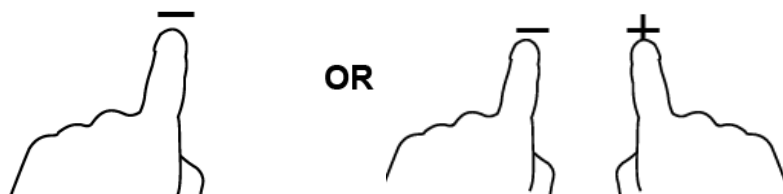
Η οθόνη θα απενεργοποιηθεί αυτόματα μετά από 2 λεπτά, εάν δεν τοποθετηθεί κατάλληλο σκεύος επάνω στην εστία.

Όταν τελειώσετε το μαγείρεμα

1. Αγγίξτε το πλήκτρο επιλογής της ζώνης θέρμανσης που θέλετε να σβήσετε



2. Σβήστε τη ζώνη μαγειρέματος κατεβαίνοντας ως το "0" ή αγγίζοντας το "-" και το "+" μαζί. Βεβαιωθείτε ότι η οθόνη δείχνει "0"



3. Απενεργοποιήστε ολόκληρη την εστία αγγίζοντας το πλήκτρο ON/OFF.



4. Προσέχετε τις καυτές επιφάνειες.

Το "H" δείχνει ποια ζώνη μαγειρέματος είναι πολύ θερμή για να την αγγίξετε. Θα πάψει να εμφανίζεται όταν η επιφάνεια έχει κρυώσει και είναι σε ασφαλή θερμοκρασία. Μπορεί επίσης να χρησιμοποιηθεί ως λειτουργία εξοικονόμησης ενέργειας, αν θέλετε να θερμάνετε κι άλλα σκεύη, χρησιμοποιώντας την εστία που είναι ακόμα ζεστή.



Πώς ασφαλίζουμε τα Πλήκτρα

- Μπορείτε να κλειδώσετε τα πλήκτρα για να αποτρέψετε την ακούσια χρήση (για παράδειγμα, για να μην θέσουν τα παιδιά κατά λάθος σε λειτουργία τις ζώνες μαγειρέματος).
- Όταν τα πλήκτρα είναι κλειδωμένα, όλα τα πλήκτρα, εκτός από το πλήκτρο ON/OFF είναι απενεργοποιημένα.

Για να κλειδώσετε τα πλήκτρα

Αγγίξτε το πλήκτρο κλειδώματος. Η οθόνη του χρονομέτρου θα εμφανίζει την ένδειξη "Lo".

Για να ξεκλειδώσετε τα πλήκτρα

1. Βεβαιωθείτε ότι η Επαγωγική εστία είναι ενεργοποιημένη.
2. Αγγίξτε και κρατήστε πατημένο για λίγο το κλειδώμα πλήκτρων.
3. Μπορείτε τώρα να αρχίσετε να χρησιμοποιείτε την Επαγωγική σας επιφάνεια μαγειρέματος.



Όταν η εστία είναι σε λειτουργία κλειδώματος, όλα τα πλήκτρα είναι απενεργοποιημένα εκτός από το ON/OFF. Μπορείτε κι έτσι να σβήσετε την επαγωγική εστία με το πλήκτρο ON/OFF σε περίπτωση έκτακτης ανάγκης, αλλά θα πρέπει πρώτα να ξεκλειδώσετε την εστία στην επόμενη λειτουργία.

Προστασία από Υπερθέρμανση

Υπάρχει αισθητήρας θερμοκρασίας ο οποίος παρακολουθεί τη θερμοκρασία στο εσωτερικό της Επαγωγικής εστίας. Όταν ανιχνευτεί υπερβολική θερμοκρασία, η Επαγωγική επιφάνεια μαγειρέματος θα σταματήσει να λειτουργεί αυτόματα.

Ανίχνευση Μικρών Αντικειμένων

Όταν ένα σκεύος ακατάλληλου μεγέθους, ή μη-μαγνητικό, (π.χ. από αλουμίνιο), ή κάποιο άλλο μικρό αντικείμενο (π.χ. μαχαίρι, πιρούνι, κλειδί) έχει μείνει πάνω στην εστία, τότε η εστία αυτόματα σε 1 λεπτό μπαίνει σε αναμονή. Ο ανεμιστήρας θα συνεχίσει να ψύχει την επαγωγική εστία για 1 ακόμη λεπτό.

Προστασία Αυτόματης Απενεργοποίησης (Auto Shutdown)

Η αυτόματη απενεργοποίηση είναι μια λειτουργία προστασίας για την ασφάλεια της επαγωγικής εστίας σας. Σβήνει αυτόματα αν ποτέ ξεχάσετε να απενεργοποιήσετε τη λειτουργία μαγειρέματος. Οι προκαθορισμένοι χρόνοι λειτουργίας για τα διάφορα επίπεδα ισχύος φαίνονται στον παρακάτω πίνακα:

Επίπεδο ισχύος	1	2	3	4	5	6	7	8	9
Προκαθορισμένη λειτουργία χρονομέτρου (ώρες)	8	8	8	4	4	4	2	2	2

Όταν απομακρύνουμε το σκεύος, αμέσως η επαγωγική εστία σταματά να θερμαίνει και απενεργοποιείται αυτόματα μετά από 2 λεπτά.



Άτομα με βηματοδότη καρδιάς θα πρέπει να συμβουλευονται τον γιατρό τους πριν τη χρήση αυτής της συσκευής.

Πώς Χρησιμοποιούμε το Χρονόμετρο

Μπορείτε να χρησιμοποιήσετε το χρονόμετρο με δύο διαφορετικούς τρόπους:

- Μπορείτε να το χρησιμοποιήσετε ως υπενθύμιση λεπτών. Στην περίπτωση αυτή, το χρονόμετρο δεν θα σβήσει καμία ζώνη μαγειρέματος όταν ο καθορισμένος χρόνος συμπληρωθεί.
- Μπορείτε να το ρυθμίσετε ώστε να σβήσει κάποια ζώνη μαγειρέματος αφού ο καθορισμένος χρόνος συμπληρωθεί.
- Μπορείτε να ορίσετε το χρονόμετρο έως 99 λεπτά.

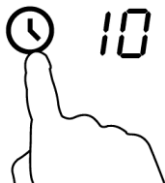
Πώς Χρησιμοποιούμε το Χρονόμετρο ως Υπενθύμιση Λεπτού

Χωρίς επιλογή ζώνης μαγειρέματος

1. Βεβαιωθείτε ότι η εστία είναι ενεργοποιημένη.

Σημείωση: μπορείτε να χρησιμοποιήσετε την υπενθύμιση λεπτών, ακόμη και χωρίς επιλογή ζώνης μαγειρέματος.

2. Αγγίξτε το κουμπί του χρονόμετρου. Η ένδειξη του χρονόμετρου θα αρχίσει να αναβοσβήνει και ο αρ. "10" θα εμφανιστεί στην οθόνη του χρονόμετρου.



3. Ρυθμίστε το χρονόμετρο αγγίζοντας το κουμπί "-" ή "+" του χρονόμετρου.



Συμβουλή:

Πιέστε μία φορά το κουμπί "-" ή "+" του χρονόμετρου για να μειώσετε ή να αυξήσετε κατά 1 λεπτό.

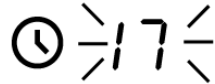
Κρατήστε πατημένο το κουμπί "-" ή "+" του χρονόμετρου για να μειώσετε ή να αυξήσετε κατά 10 λεπτά.

Εάν ο χρόνος ρύθμισης υπερβεί τα 99 λεπτά, το χρονόμετρο επιστρέφει αυτόματα στην ένδειξη 00 λεπτά.

4. Εάν αγγίξετε το "-" και "+" ταυτόχρονα, το χρονόμετρο ακυρώνεται, και στην οθόνη εμφανίζεται η ένδειξη "00" λεπτά.



5. Όταν οριστεί η ώρα, αμέσως ξεκινά η αντίστροφη μέτρηση. Η οθόνη δείχνει το χρόνο που απομένει και η ένδειξη του χρονομέτρου αναβοσβήνει για 5 δευτερόλεπτα.



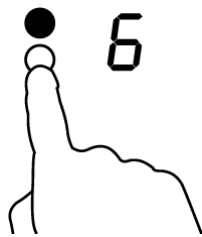
6. Το σήμα ηχεί για 30 δευτερόλεπτα και η ένδειξη του χρονομέτρου δείχνει "--" όταν τελειώσει ο καθορισμένος χρόνος.



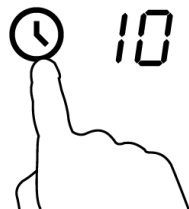
Πώς ρυθμίζουμε το χρονόμετρο να σβήνει μια ζώνη μαγειρέματος

Οι ζώνες μαγειρέματος ρυθμίζονται για αυτό το χαρακτηριστικό ως εξής:

1. Αγγίξτε το κουμπί επιλογής ζώνης θέρμανσης για την οποία θέλετε να ρυθμίσετε το χρονόμετρο.



2. Αγγίξτε το κουμπί του χρονομέτρου. Ο δείκτης υπενθύμισης θα αρχίσει να αναβοσβήνει και ο αρ. "10" θα εμφανιστεί στην οθόνη του χρονομέτρου.



3. Ρυθμίστε το χρόνο αγγίζοντας το κουμπί "-" ή "+" του χρονομέτρου



Συμβουλή:

Πιέστε μία φορά το κουμπί "-" ή "+" του χρονομέτρου για να μειώσετε ή να αυξήσετε κατά 1 λεπτό.

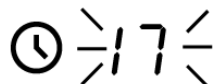
Κρατήστε πατημένο το κουμπί "-" ή "+" του χρονομέτρου για να μειώσετε ή να αυξήσετε κατά 10 λεπτά.

Εάν ο χρόνος ρύθμισης υπερβεί τα 99 λεπτά, το χρονόμετρο επιστρέφει αυτόματα στην ένδειξη 00 λεπτά.

4. Εάν αγγίξετε το "-" και "+" ταυτόχρονα, το χρονόμετρο ακυρώνεται, και στην οθόνη εμφανίζεται η ένδειξη "00" λεπτά.



5. Όταν οριστεί η ώρα, αμέσως ξεκινά η αντίστροφη μέτρηση. Η οθόνη δείχνει το χρόνο που απομένει και η ένδειξη του χρονομέτρου αναβοσβήνει για 5 δευτερόλεπτα.



ΣΗΜΕΙΩΣΗ: Η κόκκινη λυχνία δίπλα στο δείκτη επιπέδου ισχύος θα ανάψει δείχνοντας ότι η ζώνη έχει επιλεχθεί.



6. Όταν λήξει ο χρόνος μαγειρέματος, η αντίστοιχη ζώνη μαγειρέματος θα σβήσει αυτόματα.



Οι άλλες ζώνες μαγειρέματος θα συνεχίσουν τη λειτουργία τους, εάν είχαν ενεργοποιηθεί προηγουμένως.

Οδηγίες για το Μαγείρεμα



Προσέξτε κατά το τηγάνισμα, επειδή το λάδι και το λίπος θερμαίνονται πολύ γρήγορα, ειδικά αν χρησιμοποιείτε το PowerBoost (ταχεία θέρμανση). Σε πολύ υψηλές θερμοκρασίες το λάδι και το λίπος αρπάζουν φωτιά από μόνα τους και αυτό ενέχει σοβαρό κίνδυνο πυρκαγιάς.

Συμβουλές Μαγειρέματος

- Όταν το φαγητό αρχίζει να παίρνει βράση, να χαμηλώνετε τη ρύθμιση της θερμοκρασίας.
- Χρησιμοποιήστε ένα καπάκι, για να μειώσετε τους χρόνους μαγειρέματος και να εξοικονομήσετε ενέργεια με τη διατήρηση της θερμότητας.
- Ελαττώστε την ποσότητα του υγρού ή του λίπος για να μειωθεί ο χρόνος μαγειρέματος.
- Ξεκινήστε το μαγείρεμα με υψηλή τιμή ρύθμισης και ελαττώστε τη ρύθμιση, όταν το φαγητό έχει ζεσταθεί ομοιόμορφα.

Σιγοβράσιμο, μαγείρεμα ρυζιού

- Το σιγοβράσιμο συμβαίνει κάτω από το σημείο βρασμού, περίπου στους 85°C, όταν οι φυσαλίδες απλώς ανεβαίνουν περιστασιακά στην επιφάνεια του υγρού μαγειρέματος. Είναι το μυστικό για νόστιμες σούπες και τρυφερά βραστά επειδή οι γεύσεις βγαίνουν χωρίς να παραψηθεί το φαγητό. Επίσης σάλτσες αυγού ή δεμένες με αλεύρι να τις μαγειρεύετε κάτω από το σημείο βρασμού.
- Κάποιες φορές, όταν, για παράδειγμα, μαγειρεύουμε ρύζι με τη μέθοδο της απορροφήσεως, μπορεί να χρειαστεί ρύθμιση υψηλότερη από την ελάχιστη ρύθμιση για να είμαστε σίγουροι ότι το φαγητό θα μαγειρευτεί σωστά στο συνιστώμενο χρόνο.

Καφαλισμένη (καραμελωμένη) μπριζόλα

Για να μαγειρέψετε ζουμερές γευστικές μπριζόλες:

1. Αφήστε το κρέας σε θερμοκρασία δωματίου για 20 περίπου λεπτά πριν το μαγείρεμα.
2. Ζεστάνετε ένα σκεύος με παχιά βάση.
3. Αλείψτε και τις δύο πλευρές της μπριζόλας με λάδι. Περιχύστε μια μικρή ποσότητα λαδιού στο ζεστό σκεύος και στη συνέχεια βάλτε το κρέας μέσα.
4. Γυρίστε τη μπριζόλα μόνο μία φορά κατά τη διάρκεια του μαγειρέματος. Ο ακριβής χρόνος μαγειρέματος θα εξαρτηθεί από το πάχος της μπριζόλας και πόσο μαγειρεμένη τη θέλετε. Οι χρόνοι μπορεί να ποικίλουν από 2–8 λεπτά περίπου ανά πλευρά. Πιέστε τη μπριζόλα για να καταλάβετε πόσο μαγειρεμένη είναι – όσο πιο σφιχτή, τόσο πιο "καλοψημένη".
5. Αφήστε την μπριζόλα σε ένα ζεστό πιάτο για λίγα λεπτά, ώστε να μπορέσει να μαλακώσει και να γίνει τρυφερή πριν από το σερβίρισμα.

Τηγάνισμα με ανακάτεμα

1. Επιλέξτε ένα γουόκ με επίπεδη βάση κατάλληλο για επαγωγική εστία ή ένα μεγάλο τηγάνι.
2. Προετοιμάστε όλα τα συστατικά και τα εργαλεία. Το τηγάνισμα πρέπει να είναι γρήγορο. Για μεγάλες ποσότητες, μαγειρέψτε το φαγητό σε πολλές μικρότερες μερίδες.
3. Προθερμάνετε το τηγάνι για λίγο και προσθέστε δύο κουταλιές της σούπας λάδι.
4. Μαγειρέψτε το κρέας πρώτα, βάλτε το στην άκρη και διατηρήστε το ζεστό.
5. Τηγανίστε με ανακάτεμα τα λαχανικά. Ενώ είναι ζεστά, αλλά ακόμα τραγανά, ρυθμίστε τη ζώνη μαγειρέματος σε χαμηλότερη τιμή, βάλτε πάλι το κρέας στο τηγάνι και προσθέστε τη σάλτσα σας.
6. Ανακατέψτε τα υλικά απαλά για να βεβαιωθείτε ότι έχουν ζεσταθεί ομοιόμορφα.
7. Σερβίρετε αμέσως.

Ρυθμίσεις Θερμότητας

Οι παρακάτω ρυθμίσεις είναι μόνο συμβουλευτικές. Η ακριβής ρύθμιση θα εξαρτηθεί από διάφορους παράγοντες, όπως τα μαγειρικά σκεύη σας και η ποσότητα που μαγειρεύετε. Πειραματιστείτε με την επαγωγική εστία για να βρείτε τις ρυθμίσεις που σας εξυπηρετούν καλύτερα.

Τιμή θερμότητας	Κατάλληλη για
1 - 2	<ul style="list-style-type: none"> • σιγανό ζέσταμα για μικρές ποσότητες φαγητού • λιώσιμο σοκολάτας, βουτύρου, και τροφίμων που καίγονται γρήγορα • ελαφρύ σιγοβράσιμο • αργό ζέσταμα
3 - 4	<ul style="list-style-type: none"> • αναθέρμανση • γρήγορο σιγοβράσιμο • μαγείρεμα ρυζιού
5 - 6	<ul style="list-style-type: none"> • τηγανίτες
7 - 8	<ul style="list-style-type: none"> • σοτάρισμα • μαγείρεμα ζυμαρικών
9	<ul style="list-style-type: none"> • τηγάνισμα με ανακάτεμα • караμέλωμα • βράσιμο σούπας • βράσιμο νερού


Φροντίδα και Καθαρισμός

Τι;	Πώς;	Σημαντικό!
Καθημερινοί λεκέδες στο γυαλί (δαχτυλιές, σημάδια, λεκέδες από φαγητά ή πιτσιλιές χωρίς ζάχαρη στη γυάλινη επιφάνεια)	<ol style="list-style-type: none"> 1. Κλείστε την παροχή ρεύματος της εστίας. 2. Ψεκάστε καθαριστικό εστίας, ενώ το γυαλί είναι ακόμα ζεστό (αλλά όχι καυτό!) 3. Ξεπλύνετε και σκουπίστε με ένα καθαρό πανί ή χαρτοπετσέτα. 4. Ανοίξτε πάλι την παροχή ρεύματος της εστίας. 	<ul style="list-style-type: none"> • Όταν η ισχύς της εστίας είναι κλειστή, δεν θα υπάρχει καμία ένδειξη που να λέει "καυτή επιφάνεια", αλλά η ζώνη μαγειρέματος μπορεί ακόμη να είναι καυτή! Προσέξτε ιδιαίτερα. • Τα χοντρά σύρματα καθαρισμού, μερικά συρματάκια νάιλον και τα σκληρά / διαβρωτικά καθαριστικά μπορεί να χαράξουν το γυαλί. Να διαβάζετε πάντα την ετικέτα για να ελέγξετε αν το καθαριστικό ή το σύρμα σας είναι κατάλληλο. • Ποτέ μην αφήνετε κατάλοιπα καθαρισμού στην εστία: το γυαλί μπορεί να στιγματιστεί.
Ξεχειλίσματα, λιωμένα συστατικά, και ζεστά ζαχαρούχα υγρά που έχουν χυθεί στο γυαλί	<p>Καθαρίστε τα αμέσως με μια σπάτουλα ψαριού, άλλη σπάτουλα ή ξύστρα κατάλληλη για Επαγωγικές γυάλινες εστίες, αλλά προσέξτε τις καυτές επιφάνειες στις ζώνες μαγειρέματος:</p> <ol style="list-style-type: none"> 1. Κλείστε την παροχή ρεύματος της εστίας (από το διακόπτη του τοίχου). 2. Κρατήστε τη λεπίδα ή το εργαλείο σε γωνία 30° και ξύστε την κηλίδα ή τη βρωμιά σε περιοχή της εστίας που θα έχει κρυώσει. 3. Καθαρίστε την κηλίδα με ένα πανί πιάτου ή χαρτοπετσέτα. 	<ul style="list-style-type: none"> • Αφαιρέστε τους λεκέδες από ξεχειλίσματα, λιωμένα συστατικά και ζαχαρούχα φαγητά ή κηλίδες το συντομότερο. Εάν τα αφήσετε να κρυώσουν επάνω στο γυαλί, μπορεί να είναι δύσκολο να τα βγάλετε ή ακόμη και να καταστραφεί μόνιμα η επιφάνεια του γυαλιού. • Κίνδυνος Κοψίματος: όταν το κάλυμμα ασφαλείας αφαιρείται, η λεπίδα της ξύστρας είναι πολύ κοφτερή. Χρησιμοποιήστε το με εξαιρετική προσοχή και πάντα να το αποθηκεύετε με ασφάλεια και μακριά από παιδιά.

	4. Ακολουθήστε τα βήματα 2-4 όπως παραπάνω στο "Καθημερινοί λεκέδες στο γυαλί".	
Κηλίδες επάνω στα πλήκτρα	<ol style="list-style-type: none"> 1. Κλείστε την παροχή ρεύματος της εστίας. 2. Μουσκέψτε την κηλίδα 3. Σκουπίστε την περιοχή του πλήκτρου αφής με ένα καθαρό υγρό σφουγγάρι ή πανί. 4. Στεγνώστε καλά την περιοχή με μια χαρτοπετσέτα. 5. Ανοίξτε πάλι την παροχή ρεύματος της εστίας. 	<ul style="list-style-type: none"> • Η εστία μπορεί να ηχήσει και να απενεργοποιηθεί, και τα πλήκτρα αφής ενδέχεται να μην λειτουργούν, όσο υπάρχει υγρό επάνω τους. Βεβαιωθείτε ότι έχετε σκουπίσει καλά, μέχρι να στεγνώσουν, τα πλήκτρα αφής πριν ενεργοποιήσετε και πάλι την εστία.

Υποδείξεις και Συμβουλές

Πρόβλημα	Πιθανές αιτίες	Τι να κάνετε
Η επαγωγική εστία δεν μπορεί να ενεργοποιηθεί.	Δεν υπάρχει ρεύμα.	Βεβαιωθείτε ότι η επαγωγική εστία έχει συνδεθεί με την παροχή ηλεκτρικού ρεύματος και ότι ο διακόπτης είναι ενεργοποιημένος. Ελέγξτε αν υπάρχει διακοπή ρεύματος στο σπίτι ή στην περιοχή σας. Αν έχετε ελέγξει τα πάντα και το πρόβλημα επιμένει, καλέστε έναν ειδικευμένο τεχνικό.
Τα πλήκτρα αφής δεν αντιδρούν.	Τα πλήκτρα είναι κλειδωμένα.	Ξεκλειδώστε τα πλήκτρα. Δείτε στην ενότητα "Πώς να χρησιμοποιήσετε την Επαγωγική εστία σας" για οδηγίες.
Τα πλήκτρα αφής λειτουργούν με δυσκολία.	Μπορεί να υπάρχει μικρή στρώση νερού πάνω στα πλήκτρα ή μπορεί να χρησιμοποιείτε το άκρο του δακτύλου σας, όταν αγγίζετε τα πλήκτρα.	Βεβαιωθείτε ότι η περιοχή των πλήκτρων αφής είναι στεγνή και χρησιμοποιήστε το στρογγυλό μέρος του δακτύλου σας, όταν αγγίζετε τα πλήκτρα.
Το γυαλί έχει χαραχτεί.	Μαγειρικά σκεύη με τραχιά άκρα. Χρησιμοποιείτε ακατάλληλα, άγρια συρματάκια, ή σκληρά προϊόντα καθαρισμού.	Χρησιμοποιήστε σκεύη με επίπεδη και λεία βάση. Δείτε την ενότητα "Πώς επιλέγουμε τα σωστά Μαγειρικά Σκεύη" Δείτε στην ενότητα "Φροντίδα και Καθαρισμός".

Μερικοί σκεύη κάνουν τριξίματα ή μεταλλικούς θορύβους.	Αυτό μπορεί να οφείλεται στην κατασκευή των μαγειρικών σκευών σας (στρώματα διαφορετικών μετάλλων που δονούνται διαφορετικά).	Αυτό είναι φυσιολογικό για τα μαγειρικά σκεύη και δεν αποτελεί ένδειξη βλάβης.
Η επαγωγική εστία κάνει ένα χαμηλό θόρυβο σαν βουητό όταν χρησιμοποιείται σε υψηλή τιμή θερμότητας.	Αυτό οφείλεται στην τεχνολογία του επαγωγικού μαγειρέματος.	Είναι φυσιολογικό, αλλά ο θόρυβος πρέπει να ελαττωθεί ή να εξαλειφθεί εντελώς όταν μειώσετε την τιμή θερμότητας.
Θόρυβος ανεμιστήρα που έρχεται από την επαγωγική εστία.	Λειτουργεί ανεμιστήρας ψύξης που βρίσκεται ενσωματωμένος στην επαγωγική εστία σας για να προστατεύει τα ηλεκτρονικά από την υπερθέρμανση. Μπορεί να συνεχίσει να λειτουργεί ακόμα και αφού έχετε θέσει την επαγωγική εστία εκτός λειτουργίας.	Είναι φυσιολογικό και δεν χρειάζεται καμία ενέργεια. Μην διακόψετε την παροχή της επαγωγικής εστίας από τον πίνακα του σπιτιού, ενώ ο ανεμιστήρας βρίσκεται σε λειτουργία.
Τα σκεύη δεν ζεσταίνονται και εμφανίζεται το  στην οθόνη.	<p>Η επαγωγική εστία δεν μπορεί να ανιχνεύσει το σκεύος, γιατί δεν είναι κατάλληλο για επαγωγικές εστίες.</p> <p>Η επαγωγική εστία δεν μπορεί να ανιχνεύσει το σκεύος, επειδή είναι πάρα πολύ μικρό για τη ζώνη μαγειρέματος ή δεν είναι σωστά κεντραρισμένο σε αυτήν.</p>	<p>Χρησιμοποιήστε σκεύη κατάλληλα για επαγωγικές εστίες. Δείτε στην ενότητα "Πώς επιλέγουμε τα σωστά Μαγειρικά Σκεύη"</p> <p>Τοποθετήστε στο κέντρο το σκεύος και βεβαιωθείτε ότι η βάση του ταιριάζει με το μέγεθος της ζώνης μαγειρέματος.</p>

<p>Η επαγωγική εστία ή κάποια ζώνη μαγειρέματος τίθεται ξαφνικά εκτός λειτουργίας, ακούγεται ένα ηχητικό σήμα και εμφανίζεται ένας κωδικός σφάλματος (συνήθως εναλλάσσεται με μονοψήφιο ή διψήφιο αρ. στην οθόνη χρόνου μαγειρέματος).</p>	<p>Τεχνική βλάβη</p>	<p>Παρακαλείσθε να σημειώσετε τα γράμματα και τους αριθμούς του σφάλματος, να απενεργοποιήσετε την τροφοδοσία ρεύματος της επαγωγικής εστίας από το διακόπτη του τοίχου, και να επικοινωνήσετε με έναν ειδικευμένο τεχνικό.</p>
--	----------------------	---

Ποτέ να μην επιχειρήσετε να αποσυναρμολογήσετε τη συσκευή μόνοι σας.

Ένδειξη Βλάβης και Επιθεώρηση

Εάν προκύψει κάποια ανωμαλία, η επαγωγική εστία θα εισέλθει αυτομάτως στην κατάσταση προστασίας και θα εμφανίζει αντίστοιχους κωδικούς προστασίας:

Πρόβλημα	Πιθανές αιτίες	Τι να κάνετε
F3-F8	Βλάβη του αισθητήρα θερμοκρασίας	Παρακαλούμε επικοινωνήστε με τον προμηθευτή
F9-FE	Βλάβη του αισθητήρα θερμοκρασίας του IGBT (διακόπτης ταχείας ενεργείας).	Παρακαλούμε επικοινωνήστε με τον προμηθευτή
E1/E2	Αφύσικη τάση τροφοδοσίας	Παρακαλούμε να ελέγξετε αν η παροχή ρεύματος είναι η κανονική. Ενεργοποιήστε τη συσκευή όταν η παροχή ηλεκτρικού ρεύματος θα είναι η φυσιολογική.
E3/E4	Αφύσικη θερμοκρασία	Παρακαλούμε ελέγξτε το σκεύος.
E5/E6	Κακή θερμική ακτινοβολία επαγωγικής εστίας	Παρακαλούμε κάντε επανεκκίνηση αφού η επαγωγική εστία κρυώσει.

Τα παραπάνω αποτελούν κρίση και επιθεώρηση των κοινών προβλημάτων.

Παρακαλούμε μην αποσυναρμολογείτε τη συσκευή μόνοι σας για να αποφύγετε τυχόν κινδύνους και ζημιές στην επαγωγική εστία.

Τεχνικές Προδιαγραφές

Μαγειρική Εστία	CDI 30
Ζώνες Μαγειρέματος	2 Ζώνες
Τάση Τροφοδοσίας	220-240V~ 50/60Hz
Εγκατεστημένη Ηλεκτρική Ισχύς	3500 W
Διαστάσεις Προϊόντος Β×Π×Υ (χιλ)	288x520x56
Διαστάσεις Εντοίχισης Α × Β (χιλ)	268x500

Το Βάρος και οι Διαστάσεις είναι κατά προσέγγιση. Λόγω του ότι προσπαθούμε συνεχώς να βελτιώνουμε τα προϊόντα μας, ενδέχεται να αλλάξουμε τις προδιαγραφές και τα σχέδια, χωρίς προηγούμενη ειδοποίηση.

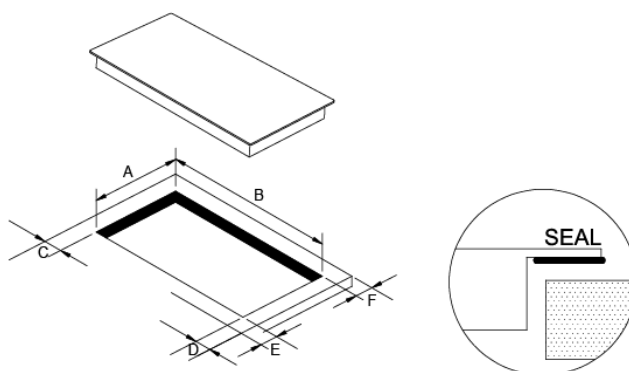
Εγκατάσταση

Επιλογή του εξοπλισμού εγκατάστασης

Αφαιρέστε την επιφάνεια εργασίας σύμφωνα με τις διαστάσεις που δίνονται στο σχέδιο.

Για τον σκοπό της εγκατάστασης και χρήσης, τουλάχιστον 5 εκατοστά κενού χώρου πρέπει να προβλέπονται γύρω από την τρύπα.

Να βεβαιωθείτε ότι το πάχος της επιφάνειας εργασίας θα είναι τουλάχιστον **30χιλ.** Παρακαλείσθε να επιλέξετε επιφάνεια εργασίας από υλικό ανθεκτικό στη θερμότητα για να αποφευχθεί μεγαλύτερη παραμόρφωση που προκαλεί η ακτινοβολία της θερμότητας από την εστία. Μελετήστε το σχήμα από κάτω:

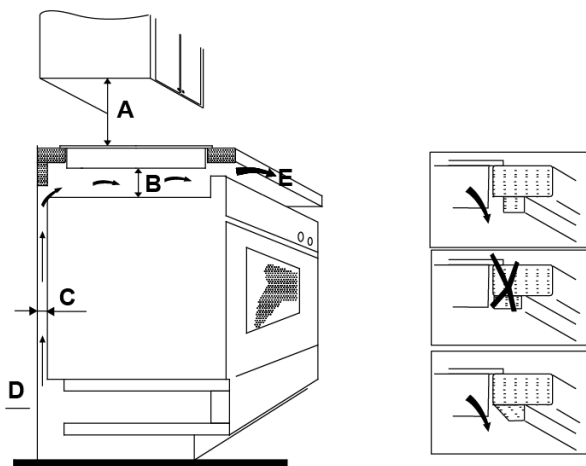


A (χιλ)	B (χιλ)	C (χιλ)	D (χιλ)	E (χιλ)	F (χιλ)
268 + 4	500 + 4	50 τουλ.	50 τουλ.	50 τουλ.	50 τουλ.
-0	-0				

Σε κάθε περίπτωση πρέπει να βεβαιωθείτε ότι η Επαγωγική εστία θα αερίζεται καλά και η είσοδος και έξοδος του αέρα δεν θα εμποδίζονται. Βεβαιωθείτε ότι η επαγωγική εστία είναι σε καλή κατάσταση λειτουργίας. Μελετήστε το σχήμα πιο κάτω.



Σημείωση: Η απόσταση ασφαλείας από την εστία έως το ντουλάπι πάνω από την εστία πρέπει να είναι τουλάχιστον **760** χιλ.



A (χιλ)	B (χιλ)	C (χιλ)	D	E
760	50 τουλ.	30 τουλ.	Είσοδος αέρα	Έξοδος αέρα 10 χιλ

Πριν εγκαταστήσετε την εστία να σιγουρευτείτε ότι:

- η επιφάνεια εργασίας είναι τετράγωνη και επίπεδη, και κανένα δομικό σημείο δεν δημιουργεί πρόβλημα με τις απαιτήσεις του χώρου
- η επιφάνεια εργασίας είναι κατασκευασμένη από πυρίμαχο υλικό
- εάν η εστία εγκατασταθεί επάνω από φούρνο, ο φούρνος θα έχει ενσωματωμένο ανεμιστήρα ψύξης
- η εγκατάσταση θα συμμορφώνεται με όλες τις απαιτήσεις αποστάσεων και τα ισχύοντα πρότυπα και κανονισμούς
- κατάλληλος διακόπτης απομόνωσης για την πλήρη αποσύνδεση από το ηλεκτρικό δίκτυο θα υπάρχει ενσωματωμένος με τη μόνιμη καλωδίωση, τοποθετημένος σε θέση ώστε να συμμορφώνεται με τους τοπικούς κανόνες ηλεκτρικής σύνδεσης και τους κανονισμούς.
- ο διακόπτης απομόνωσης θα πρέπει να είναι εγκεκριμένου τύπου και να διαθέτει 3 χιλιοστά κενό αέρος διαχωρισμού επαφής σε όλους τους πόλους (ή σε όλους τους ενεργούς [φάση] αγωγούς εάν οι τοπικοί κανόνες ηλεκτρικής σύνδεσης προβλέπουν αυτή τη διαφοροποίηση των απαιτήσεων)
- ο διακόπτης απομόνωσης θα είναι εύκολα προσβάσιμος στον χρήστη όταν η εστία θα είναι εγκατεστημένη

- μπορείτε να συμβουλευτείτε τις τοπικές οικοδομικές αρχές και συναφείς νομοθεσίες σε περίπτωση αμφιβολίας σχετικά με την εγκατάσταση
- να χρησιμοποιήσετε πυρίμαχα και εύκολα στον καθαρισμό τελειώματα (όπως κεραμικά πλακίδια) για τις επιφάνειες των τοίχων που περιβάλλουν την εστία.

Όταν θα έχετε εγκαταστήσει την εστία, να σιγουρευτείτε ότι:

- το καλώδιο τροφοδοσίας δεν περνάει μέσα από πόρτες ντουλαπιών ή συρτάρια
- υπάρχει αρκετή ροή φρέσκου αέρα από τον εξωτερικό χώρο των ντουλαπιών προς τη βάση της εστίας
- εάν η εστία έχει εγκατασταθεί πάνω από χώρο συρταριού ή ντουλαπιού, έχει εγκατασταθεί και θερμικό προστατευτικό φράγμα κάτω από τη βάση της εστίας
- ο διακόπτης απομόνωσης είναι εύκολα προσβάσιμος από τον χρήστη

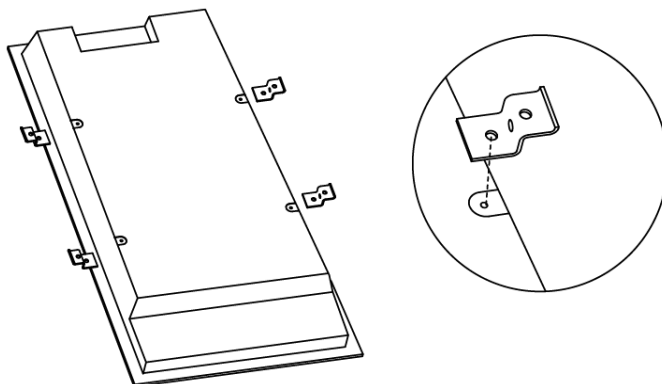
Πριν τοποθετήσετε τα στηρίγματα στερέωσης

Η συσκευή πρέπει να τοποθετηθεί πάνω σε σταθερή, ομαλή επιφάνεια (χρησιμοποιήστε τη συσκευασία). Μην ασκείτε δύναμη επάνω στα κουμπιά που προεξέχουν από την εστία.

Ρύθμιση της θέσης των στηριγμάτων

Στερεώστε την εστία επάνω στην επιφάνεια εργασίας βιδώνοντας τα 4 στηρίγματα στο κάτω μέρος της εστίας (δείτε το σχήμα) μετά την εγκατάσταση.

Ρυθμίστε τη θέση των στηριγμάτων ώστε να ταιριάζει ανάλογα με το πάχος του πάγκου.



Υπενθυμίζουμε:

1. Η επαγωγική εστία πρέπει να εγκατασταθεί από ειδικευμένο προσωπικό ή τεχνικούς. Διαθέτουμε επαγγελματίες για αυτές τις εργασίες. Παρακαλείσθε να μην επιχειρήσετε αυτήν την εργασία μόνοι σας.
2. Η εστία δεν πρέπει να εγκατασταθεί ακριβώς πάνω από πλυντήριο πιάτων, ψυγείο, καταψύκτη, πλυντήριο ρούχων ή στεγνωτήριο ρούχων, διότι η υγρασία μπορεί να προκαλέσει βλάβη στα ηλεκτρονικά της.
3. Η επαγωγική εστία πρέπει να εγκαθίσταται με τέτοιο τρόπο ώστε να μπορεί να εξασφαλιστεί η βέλτιστη θερμική ακτινοβολία για να ενισχύεται η αξιοπιστία της.
4. Ο τοίχος και η επαγόμενη θερμική ζώνη πάνω από την επιφάνεια του πάγκου πρέπει να αντέχει τη θερμότητα.
5. Για να αποφευχθεί οποιαδήποτε ζημιά, η διαστρωμάτωση επιφάνειας-κόλλας (σάντουιτς) πρέπει να είναι ανθεκτική στη θερμότητα.

Πώς συνδέουμε την εστία με την τροφοδοσία ρεύματος δικτύου

Η εστία αυτή πρέπει να συνδεθεί με την παροχή ηλεκτρικού ρεύματος μόνο από ένα κατάλληλα ειδικευμένο άτομο.

Πριν συνδέσουμε την εστία με την τροφοδοσία ρεύματος δικτύου, πρέπει να ελέγξουμε εάν:

1. το οικιακό σύστημα καλωδίωσης είναι κατάλληλο για την ισχύ που καταναλώνεται από την εστία
2. η τάση αντιστοιχεί στην τιμή που δίνεται στην πινακίδα προδιαγραφών
3. οι διατομές των καλωδίων τροφοδοσίας είναι ικανές να αντέξουν το φορτίο που καθορίζεται στην πινακίδα προδιαγραφών

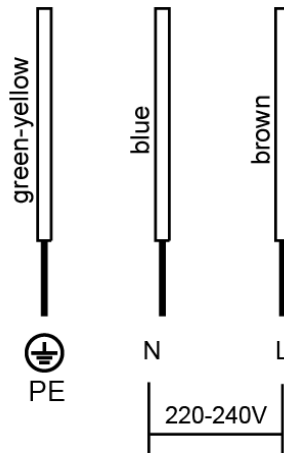
Για να συνδέσετε την εστία με το ηλεκτρικό δίκτυο, μην χρησιμοποιείτε προσαρμογείς (αντάπτορες), συστήματα συστολής, ή συσκευές διακλάδωσης, διότι μπορεί να προκαλέσουν υπερθέρμανση και φωτιά.

Το καλώδιο τροφοδοσίας δεν πρέπει να ακουμπάει σε ζεστές επιφάνειες και πρέπει να τοποθετείται έτσι ώστε η θερμοκρασία του να μην υπερβαίνει τους 75°C σε οποιοδήποτε σημείο.



Να γίνει έλεγχος από ηλεκτρολόγο για να δείτε αν το οικιακό σύστημα καλωδίωσης είναι κατάλληλο, χωρίς αλλοιώσεις. Τυχόν τροποποιήσεις πρέπει να γίνονται μόνο από εξειδικευμένο ηλεκτρολόγο.

Η παροχή ηλεκτρικού ρεύματος πρέπει να συνδεθεί σύμφωνα με το σχετικό πρότυπο, ή με μονοπολικό διακόπτη κυκλώματος. Η μέθοδος της σύνδεσης φαίνεται από κάτω.



- Εάν το καλώδιο είναι φθαρμένο ή πρέπει να αντικατασταθεί, η εργασία πρέπει να γίνει από τον υπεύθυνο της αντιπροσωπείας που διαθέτει τα ειδικά εργαλεία για να αποφευχθούν τυχόν ατυχήματα.
- Εάν η συσκευή συνδεθεί απευθείας με το ηλεκτρικό δίκτυο διανομής, θα πρέπει να εγκατασταθεί πολυπολικός διακόπτης με ελάχιστο διάκενο 3 χιλιοστών μεταξύ των επαφών.
- Ο εγκαταστάτης πρέπει να διασφαλίσει ότι έχει γίνει σωστή ηλεκτρική σύνδεση και ότι είναι συμβατή με τους κανονισμούς ασφαλείας.
- Το καλώδιο δεν πρέπει να τσακίζει ή να πιέζεται.
- Το καλώδιο πρέπει να ελέγχεται τακτικά και να αντικαθίσταται μόνο από εξουσιοδοτημένους τεχνικούς.
- Το κίτρινο/πράσινο σύρμα του καλωδίου τροφοδοσίας πρέπει να συνδεθεί με τη γείωση τόσο του ακροδέκτη παροχής ηλεκτρικού ρεύματος όσο και της συσκευής.
- Ο κατασκευαστής δεν μπορεί να θεωρηθεί υπεύθυνος για τυχόν ατυχήματα που θα προκληθούν από χρήση συσκευής η οποία δεν είναι γειωμένη, ή με κακή γείωση.
- Εάν η συσκευή διαθέτει υποδοχή ρευματολήπτη (πρίζα), θα πρέπει να τοποθετείται έτσι ώστε η πρίζα να είναι προσβάσιμη.




ΑΠΟΡΡΙΨΗ: Το προϊόν αυτό δεν πρέπει να απορριφθεί μαζί με τα αστικά απόβλητα. Η συλλογή των αποβλήτων αυτών ξεχωριστά για ειδική επεξεργασία είναι απαραίτητη.

Αυτή η συσκευή φέρει σήμανση σύμφωνα με την Ευρωπαϊκή Οδηγία 2012/19/EK για τα Απόβλητα Ηλεκτρικού και Ηλεκτρονικού Εξοπλισμού (ΑΗΗΕ). Με την εξασφάλιση ότι αυτή η συσκευή θα απορριφθεί σωστά, συμβάλλετε στην αποτροπή ενδεχόμενης βλάβης στο περιβάλλον και την ανθρώπινη υγεία, οι οποίες θα μπορούσαν διαφορετικά να προκληθούν αν είχε γίνει απόρριψη με λάθος τρόπο.

Το σύμβολο επάνω στο προϊόν σημαίνει ότι δεν μπορεί να αντιμετωπιστεί όπως τα κοινά οικιακά απορρίμματα. Θα πρέπει να μεταφερθεί σε σημείο συλλογής για την ανακύκλωση των ηλεκτρικών και ηλεκτρονικών προϊόντων.

Η συσκευή αυτή πρέπει να απορριφθεί από εξειδικευμένη εταιρεία διάθεσης αποβλήτων. Για περισσότερες πληροφορίες που αφορούν την επεξεργασία, περισυλλογή και ανακύκλωση αυτού του προϊόντος, παρακαλούμε επικοινωνήστε με το δήμο σας, την υπηρεσία αποκομιδής οικιακών απορριμμάτων ή το κατάστημα από το οποίο αγοράσατε το προϊόν.

Για περισσότερες λεπτομέρειες σχετικά με την επεξεργασία, περισυλλογή και ανακύκλωση αυτού του προϊόντος, παρακαλούμε επικοινωνήστε με το γραφείο του δήμου σας, την υπηρεσία αποκομιδής οικιακών απορριμμάτων ή το κατάστημα από το οποίο αγοράσατε το προϊόν.

Umístěním označení () na tomto výrobku prohlašujeme na svou odpovědnost dodržování všech evropských bezpečnostních, zdravotních a environmentálních požadavků stanovených v právních předpisech pro tento produkt

Bezpečnostní varování

Vaše bezpečnost je pro nás důležitá. Přečtěte si tyto informace před použitím varné desky.

Instalace

Riziko zasažení elektrickým proudem

- Před prováděním jakékoliv údržby odpojte spotřebič od elektrické sítě.
- Je důležité připojit spotřebič k vhodnému systému uzemnění.
- Úpravy elektrického připojení v domácnosti musí provést pouze kvalifikovaný elektrikář.
- Nedodržení těchto pokynů může vést k zasažení elektrickým proudem nebo smrti.

Nebezpečí zranění

- Zvyšte pozornost – hrany varné desky jsou ostré.
- Při nedbanlivosti může dojít k zranění.

Důležité bezpečnostní pokyny

- Před instalací a použitím tohoto spotřebiče si přečtěte důkladně tyto pokyny.
- Na spotřebič nikdy nedávejte hořlavé látky.
- Poskytněte tuto informaci osobě odpovědné za instalaci spotřebiče, neboť může snížit vaše instalační.
- Abyste zabránili nebezpečí, tento spotřebič musíte instalovat v souladu s těmito instalačními pokyny.
- Tento spotřebič musí instalovat a uzemnit kvalifikovaný servisní technik.
- Tento spotřebič musí být připojen k elektrickému okruhu, který obsahuje izolační spínač nabízející plné odpojení od napájení.
- Nesprávná instalace spotřebiče může vést ke ztrátě záruky.

Provoz a údržba

Riziko zasažení elektrickým proudem

- Nepoužívejte prasklou varnou desku. Pokud je povrch varné desky prasklý, spotřebič ihned vypněte od napájení (spínač ve zdi) a kontaktujte kvalifikovaného technika.
- Před údržbou a čištěním varné desky ji odpojte od elektrické sítě.

- Nedodržení tohoto kroku může způsobit zasažení elektrickým proudem nebo smrt.

Ohrožení zdraví

- Tento spotřebič vyhovuje standardům o elektromagnetickém rušení.
- Avšak osoby s kardiostimulátory nebo jinými elektrickými implantáty (inzulínová pumpa) musí použití spotřebiče konzultovat s doktorem nebo výrobcem implantátu k zajištění, že jejich implantát nebude ovlivněn elektromagnetickým polem.
- Nedodržení tohoto pokynu může vést ke smrti.

Riziko horkého povrchu

- Během použití jsou přístupné části tohoto spotřebiče dostatečně horké na způsobení popálení.
- Zabraňte kontaktu těla, oděvu nebo jiných nevhodných předmětů s povrchem varné desky, dokud nevychladne.
- Upozornění: magnetické materiály na těle se mohou v blízkosti varné desky zahřát. Na zlaté ani stříbrné šperky to nemá vliv.
- Držte děti mimo dosah.
- Madla nádobí mohou být horké na dotyk. Zabraňte přesahu madel nádobí přes další zapnuté varné zóny. Držte madla mimo dosah dětí.
- Nedodržení těchto kroků může vést k zranění.

Riziko zranění

- Po sejmutí krytu je odkryta ostrá čepel čisticí škrabky. Zvyšte pozornost při použití škrabky a skladujte ji mimo dosah dětí.
- Nedodržení těchto pokynů může vést k zranění.

Důležité bezpečnostní pokyny

- Během použití nenechávejte spotřebič bez dohledu. Vyvření pokrmů může způsobit kouř a jejich vznícení.
- Spotřebič nikdy nepoužívejte jako pracovní desku a odkládací plochu.
- Na spotřebiči nenechávejte žádné předměty ani náčiní.
- V blízkosti spotřebiče nenechávejte žádné magnetické předměty (např. kreditní karty, paměťové karty) nebo elektronická zařízení (např. počítače, MP3 přehrávače), neboť mohou být ovlivněné elektromagnetickým polem.
- Spotřebič nikdy nepoužívejte k vytápění místnosti.
- Po použití vždy vypněte varné zóny a varnou desku podle popisu v tomto návodu (např. pomocí dotekových ovladačů). K vypnutí spotřebiče nepoužívejte funkci detekce nádobí.
- Nedovolte dětem hrát si se spotřebičem, ani si na něj sedat nebo lézt.

- Nad spotřebičem neskladujte předměty zajímavé pro děti. Děti lezoucí na varnou desku se mohou vážně zranit.
- Během použití spotřebiče nenechávejte děti v blízkosti spotřebiče bez dohledu
- Děti a osoby s omezenými schopnostmi smí spotřebič používat pouze pod dohledem odpovědné osoby. Odpovědná osoba se musí ujistit, že mohou spotřebič používat bez jejich ohrožení.
- Neopravujte ani nenahrazujte části spotřebiče, dokud to není doporučeno v tomto návodu. Veškeré opravy musí provádět kvalifikovaný servisní technik.
- K čištění varné desky nepoužívejte vysokotlaký parní čistič.
- Na varnou desku nestavte těžké předměty.
- Na varnou desku si nestoupejte.
- Nepoužívejte pánve se zakřivenými okraji ani nádobí po varné desce nepřesouvejte, neboť můžete poškrábat skleněný povrch.
- Nepoužívejte drsné prostředky k čištění varné desky, neboť mohou poškrábat sklokeramický povrch.
- Pokud je poškozený přívodní kabel, musí jej vyměnit výrobce, servisní technik.
- Tento spotřebič je určen pro použití v domácnosti a podobném prostředí jako jsou: - zaměstnanecké kuchyně v prodejnách, kancelářích a jiném pracovním prostředí; - na farmách; - klienty hotelů, motelů a jiném typu ubytovacího zařízení; - v místě pro výdej snídaně.
- Tento spotřebič smí používat děti od 8 let a osoby s omezenými fyzickými, sensorickými nebo mentálními schopnostmi nebo bez dostatečných zkušeností a znalostí, pokud byly poučeny o bezpečném použití spotřebiče nebo jsou pod dohledem osoby odpovědné za jejich bezpečnost. Nedovolte dětem hrát si se spotřebičem. Čištění a údržbu nesmí provádět děti bez dohledu.
- **VAROVÁNÍ:** Vaření s oleji a tuky může být nebezpečné a může vést k požáru. NIKDY se nepokoušejte uhasit plameny vodou, spotřebič vypněte a pak překryjte plamen pokličkou nebo požární dekou.
- Kovové předměty jako jsou nože, vidličky, lžičky a pokličky nestavte na povrch varné desky, neboť se mohou zahřát.
- Po použití vypněte varnou desku pomocí ovladače a nespolehejte na detektor nádobí.
- Tento spotřebič není určen pro ovládání externím časovačem nebo samostatným systémem dálkového ovládání.

Blahopřejeme ke koupi nové indukční varné desky.

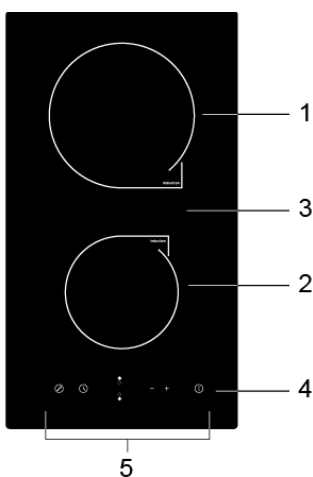
Doporučujeme vám věnovat určitý čas přečtení tohoto návodu k obsluze/instalaci pro zajištění správné instalace a obsluhy spotřebiče.

Za účelem instalace viz část o instalaci spotřebiče.

Před použitím si přečtěte důkladně bezpečnostní pokyny a uschovejte tento návod k obsluze/instalaci pro případné použití v budoucnosti.

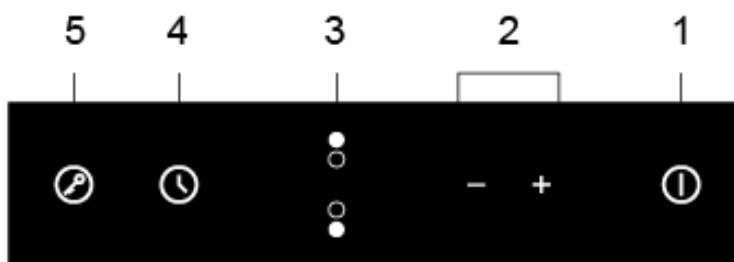
Popis spotřebiče

Pohled shora



1. max. 2000 W zóna
2. max. 1500 W zóna
3. Sklokeramická deska
4. Zapnutí/vypnutí
5. Ovládací panel

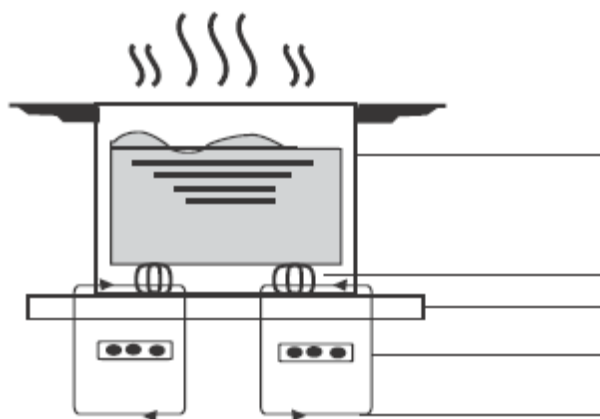
Ovládací panel



1. Tlačítko zapnutí/vypnutí
2. Ovladače výkonu/časovače
3. Volič varné zóny
4. Ovladač časovače
5. Ovladač uzamčení tlačítek

O indukčním vaření

Indukční vaření je bezpečné, rychlé, účinné a ekonomické. Funguje díky elektromagnetickým vibracím vytvářejícím teplo přímo v nádobí, namísto přenosu přes sklokeramický povrch. Sklokeramická varná deska se rozežřeje jen teplem z nádobí.



Železné nádobí

Magnetický obvod

Sklokeramická varná deska

Indukční cívka

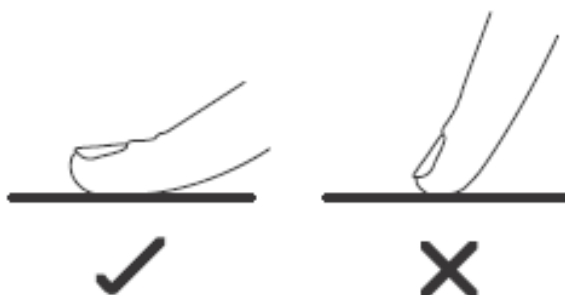
Indukovaný proud

Před použitím nové indukční varné desky

- Přečtěte si tento návod, dbejte zejména na část „Bezpečnostní upozornění“.
- Z indukční desky odstraňte ochrannou fólii.

Použití dotykových ovladačů

- Ovladače reagují na dotek, proto nemusíte používat tlak.
- Používejte bříško prstu, nikoliv špičku.
- Po každém zaregistrování doteku uslyšíte akustický signál.
- Ujistěte se, zda jsou ovladače vždy čisté, suché a zda je nepřekrývá žádný předmět (např. náčiní nebo utěrky). I tenká vrstva vody může stěžít obsluhu dotykových ovladačů.



Volba vhodného nádobí



• Používejte pouze nádobí vhodné pro indukční vaření. Hledejte symbol indukce na nebo na dně nádobí.

• vhodnost nádobí můžete zkontrolovat jednoduchým magnetickým testem. Přiložte magnet ke dnu nádobí. Pokud se přichytí, nádobí je vhodné pro indukci.

• Pokud nemáte magnet:

1. Do nádoby dejte trochu vody.

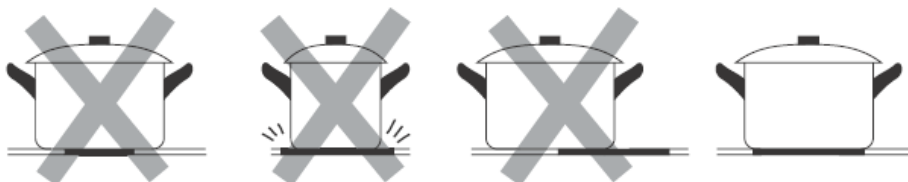
2. Pokud shoda zahřeje a na displeji neblíká , pak je nádobí vhodné.

• Nádobí vyrobené z následujících materiálů není vhodné: čistá nerezová ocel, hliníkové nebo měděné bez magnetického dna, sklo, dřevo, porcelán, keramika a kamenina.

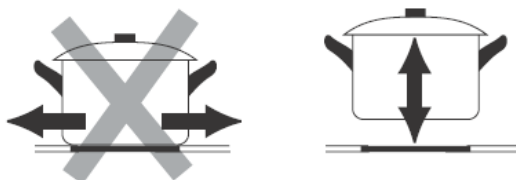
Nepoužívejte nádobí s drsným nebo zakřiveným dnem.



Ujistěte se, zda je dno varného nádobí hladké, sedí přesně na sklokeramické desce a má stejný průměr jako varná zóna. Používejte nádobí, kterého průměr dna je větší než zobrazená varná zóna. Použitím nádobí s o něco větším průměrem dna využijete energii s maximální účinností. Pokud použijete menší nádobí, můžete očekávat nižší účinnost. Nádobí s průměrem menším než 140 mm nemusí varná deska detekovat. Nádobí vždy vycentrujte doprostřed varné zóny.



Nádobí z varné desky vždy zvedněte – nepřesouvejte, neboť můžete poškrábat sklokeramický povrch.



Použití indukční varné desky

Začínáme

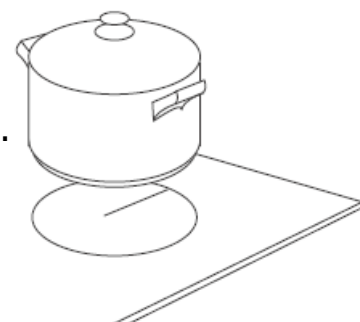
1. Stiskněte tlačítko zapnutí/vypnutí.

Po zapnutí zazní akustický signál a zobrazí se " – " nebo " – – ", což indikuje, že varná deska je v pohotovostním režimu.

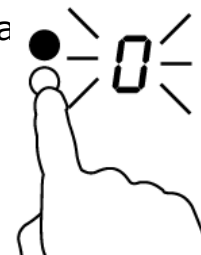


2. Na zvolenou varnou zónu postavte vhodné nádobí.

- Ujistěte se, zda je dno nádobí a varná deska čistá a suchá.



3. Zvolte varnou zónu, začne blikat indikátor vedle tlačítka



4. Zvolte výkon varné zóny pomocí „-“ nebo „+“.

- Pokud nezvolíte výkon do 1 minuty, indukční varná deska se automaticky vypne. Musíte začít opět od kroku 1.



- Nastavení výkonu můžete upravit kdykoliv během vaření.

Pokud na displeji bliká $\cong \sqcup \cong$ střídavě s nastavením výkonu

Znamená to, že:

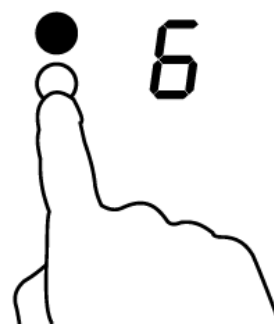
- neumístili jste nádobí na správnou varnou zónu, nebo
- nádoba není vhodná pro indukční vaření, nebo
- nádoba je příliš malá nebo není správně vystředěná na varné zóně.

Pokud nepoužijete vhodnou nádobu, ohřev se nespustí.

Displej se automaticky vypne, pokud do 2 minut nepostavíte vhodnou nádobu na varnou desku.

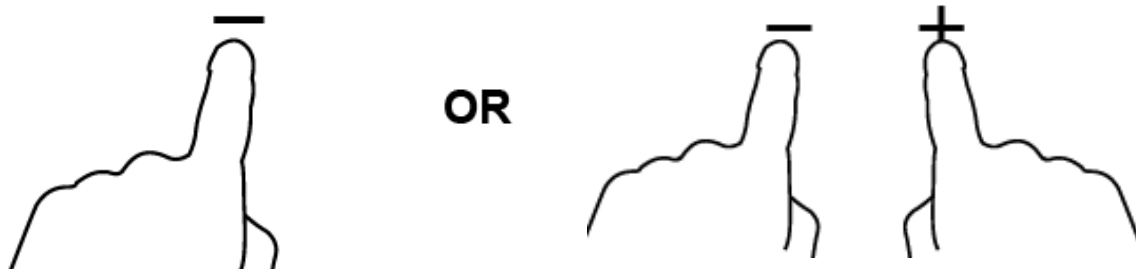
Po použití

1. Dotkněte se symbolu varné zóny, kterou chcete vypnout.

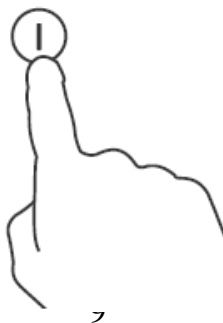


2. Vypněte varnou zónu nastavením „0” nebo současným stisknutím „-” a „+”. Ujistěte se, zda displej zobrazí „0”

+”.



3. Vypněte celou varnou desku stisknutím tlačítka zapnutí/vypnutí.



4. Upozornění na horký povrch

Symbol „H“ se zobrazí u zóny, která je horká na dotek. Zmizí, když teplota povrchu klesne na bezpečnou teplotu. Zbytkové teplo můžete využít také pro úsporu energie, pokud teplo využijete k dalšímu ohřevu, dokud je varná zóna stále horká.



Uzamčení ovladačů

- Můžete uzamknout ovládací prvky vůči nežádoucímu použití (například nechtěné zapnutí dětmi).
- Když jsou ovladače uzamčené, všechny ovladače kromě tlačítka zapnutí/vypnutí jsou zablokované.

Uzamčení ovládacích prvků

Dotkněte se tlačítka uzamčení. Indikátor časovače zobrazí symbol „Lo“.

Odemčení ovládacích prvků

1. Ujistěte se, zda je varná deska zapnutá.
2. Dotkněte se a podržte tlačítka uzamčení.
3. Nyní můžete varnou desku používat.



Když je varná deska uzamčená, všechny ovladače jsou neaktivní kromě tlačítka zapnutí/vypnutí, v případě nouze můžete varnou desku vypnout pomocí tlačítka zapnutí/vypnutí, ale pro další obsluhu ji musíte nejdříve odblokovat.

Ochrana před přehřátím

Teplotní senzor monitoruje teplotu uvnitř varné desky. Při zjištění nadměrné teploty se indukční varná deska automaticky vypne.

Detekce malých předmětů

Když ponecháte na varné desce nádobí nevhodné velikosti nebo nemagnetické nádobí (např. hliníkové), nebo jiný malý předmět (např. nůž, vidlička, klíče),

varná deska se automaticky přepne po 1 minutě do pohotovostního režimu. Ventilátor pokračuje v chlazení indukční varné desky další 1 minutu.

Automatické vypnutí

Další bezpečnostní funkcí varné desky je automatické vypnutí. To nastane, kdykoliv zapomenete vypnout varnou zónu. Počáteční čas do vypnutí je uvedený v tabulce níže:

Výkon	1	2	3	4	5	6	7	8	9
Počáteční doba provozu (hodiny)	8	8	8	4	4	4	2	2	2

Po sejmutí nádobí indukční varná deska ihned přestane hřát a automaticky se vypne po 2 minutách.



Osoby s kardiostimulátorem musí použití indukční varné desky konzultovat s doktorem.

Použití časovače

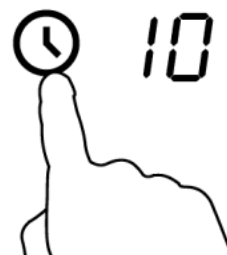
Časovač můžete použít dvěma různými způsoby:

- Můžete jej použít jako minutku. V tomto případě časovač po uplynutí nevypne žádnou varnou zónu.
- Můžete jej použít k vypnutí varné zóny po uplynutí nastavené doby.
- Časovač můžete nastavit na 99 minut.

Použití časovače jako minutky

Pokud nezvolíte žádnou varnou zónu

1. Ujistěte se, zda je varná deska zapnutá.
Poznámka: Minutku můžete použít i když nezvolíte žádnou varnou zónu.
2. Dotkněte se ovladače časovače, indikátor časovače začne blikat a na displeji časovače se zobrazí „10“.



3. Nastavte čas pomocí „-“ nebo „+“.

Tip: Dotekem symbolu „-“ nebo „+“ časovače upravíte hodnotu o 1 minutu

Dotekem a podržením „-“ nebo „+“ prodloužíte nebo zkrátíte čas v 10-minutových krocích.

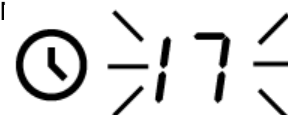


Pokud nastavení přesáhne 99 minut, časovač se automaticky vrátí na 0 minut.

3. 4. Dotekem symbolů „-“ a „+“ najednou se časovač zruší, a na displeji minut se zobrazí „00“.



5. Když je nastavený časovač, ihned se spustí odpočítávání. Displej zobrazí zbývající čas a indikátor časovače bude blikat 5 sekund.

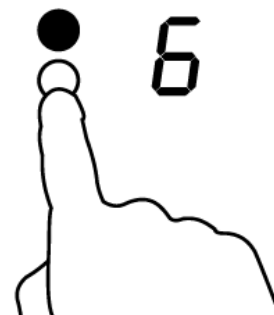


4. 6. Po uplynutí nastaveného času 30 sekund akustický signál a indikátor časovače zobrazí „-“.

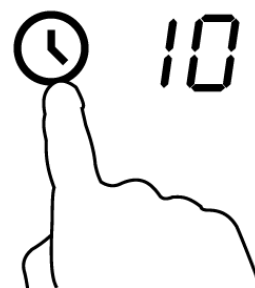


Nastavení časovače k vypnutí varné zóny

1. Voličem varné zóny zvolte zónu, pro kterou chcete nastavit časovač.



2. Dotkněte se voliče časovače, indikátor časovače začne blikat a na displeji časovače se zobrazí „10“.



3. Nastavte čas pomocí ovladačů „-“ nebo „+“.

Tip: Dotekem ovladačů časovače „-“ nebo „+“ snížíte nebo zvýšíte čas o 1 minutu.



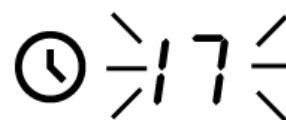
Dotekem a podržením ovladačů časovače „-“ nebo „+“ zkrátíte nebo prodloužíte čas o 10 minut.

Pokud nastavení časovače přesáhne 99 minut, časovač se automaticky nastaví na 00 minut.

4. Dotekem symbolů „-“ a „+“ najednou se časovač zruší a na displeji minut se zobrazí „00“.



5. Po nastavení časovače začne ihned ubíhat. Displej zobrazí zbývající dobu a indikátor časovače bliká 5 sekund.



POZNÁMKA: Červená tečka vedle ukazatele výkonu svítí pro indikaci zvolené varné zóny.



6. Když uplyne nastavený čas, odpovídající varná zóna se automaticky vypne.



Další varná zóna pokračuje v provozu, pokud byla dříve zapnuta.

Doporučení k vaření



Zvyšte pozornost při smažení na oleji a tuku, neboť se zahřívají velmi rychle, zejména, pokud používáte PowerBoost. Při extrémně vysoké teplotě se může olej a tuk náhle vznítit a představuje vážné riziko požáru.

Tipy k vaření

- Když začne jídlo vřít, snižte nastavení výkonu.
- Použití pokličky zkracuje dobu vaření a šetří spotřebu energie.
- Minimalizujte množství tuku a tekutiny pro zkrácení doby vaření.
- Začněte vařit na vysokém výkonu a když je pokrm dostatečně ohřátý, snižte teplotu.

Dušení, vaření rýže

- Dušení nastává pod bodem varu, kolem 85 °C, když se bublinky příležitostně objevují na povrchu vařené tekutiny. Je to klíčem chutných polévek a dušených pokrmů, neboť chuť se vyvíjí bez převaření pokrmu. Pod bodem varu můžete vařit také pokrmy s vejíčky a moukou zahuštěné omáčky.
- Některé úkoly, včetně vaření rýže absorpční metodou, může vyžadovat vyšší než nejnižší nastavení k zajištění správného uvaření v doporučené době.

Pečení steaku

Pečení šťavnatých aromatických steaků:

1. Před pečením nechte maso odpočívat při pokojové teplotě přibližně 20 minut.
2. Rozehřejte pánev se silným dnem.
3. Potřete obě strany steaku olejem. Kápněte trochu oleje na rozehřátou pánev a pak položte maso na pánev.
4. Během pečení steak jednou otočte. Přesná doba pečení závisí od tloušťky

steaku a jak jej chcete připravit. Doba může být od 2 do 8 minut na jednu stranu. Zatlačením na steak zjistíte stav upečení – čím je tužší, tím více je propečený.

5. Po dopečení nechte steak jednu minutu odpočívat na teplém místě.

Smažení

1. Zvolte wok nebo velkou pánev na smažení, vhodnou pro sklokeramickou varnou desku.
2. Připravte si ingredience. Smažení bude rychlé. Pokud připravujete velké množství, připravujte pokrm ve více menších porcích.
3. Pánev krátce přehřejte a přidejte dvě polévkové lžíce oleje.
4. Nejdříve připravujte maso, odložte stranou a udržujte teplé.
5. Osmáhněte zeleninu. Když je horká ale stále křupavá, snižte teplotu varné zóny, do pánve vraťte maso a přidejte omáčku.
6. Ingredience jemně smíchejte a důkladně prohřejte.
7. Ihned servírujte.

Nastavení výkonu

Níže uvedené výkony jsou pouze informační. Přesná doba přípravy závisí od několika faktorů, včetně nádobí a množství připravovaného pokrmu.

Experimentujte s indukční varnou deskou pro nejvhodnější nastavení.

Nastavení výkonu	Vhodný pro
1 - 2	<ul style="list-style-type: none">• jemný ohřev malých množství pokrmů• topení čokolády, másla a rychle se připalujících pokrmů• jemné dušení• pomalý ohřev
3 - 4	<ul style="list-style-type: none">• ohřev• rychlé dušení• vaření rýže
5 - 6	<ul style="list-style-type: none">• palačinky
7 - 8	<ul style="list-style-type: none">• smažení• vaření těstovin
9	<ul style="list-style-type: none">• smažení

	<ul style="list-style-type: none"> • opékání • přivedení polévky do varu • vaření vody
--	---

Péče a čištění

Co?	Jak?	Důležité!
Běžné znečištění varné desky (otisky prstů, skvrny, zbytky jídla nebo skvrny bez cukru na varné desce)	<ol style="list-style-type: none"> 1. Vypněte napájení varné desky. 2. Aplikujte čistič na varné desky, dokud je varná deska stále teplá (nikoliv horká!) 3. Opláchněte a vysušte čistou utěrkou nebo papírovou utěrkou. 4. Opět zapněte napájení varné desky. 	<ul style="list-style-type: none"> • Když je varná deska vypnutá, nebude svítit indikace „horké zóny“, ale varná zóna může být stále horká! Zvyšte pozornost. • Tvrdé drátěnky, nylonové škrabky a drsné čisticí prostředky mohou poškrábat sklo. Vždy si přečtěte informace o čisticím prostředku, zda je vhodný pro sklokeramický povrch. • Nikdy nenechávejte zbytky čisticího prostředku na varné desce: může zanechat skvrny.
Vyvřené pokrmy, roztavené látky, pokrmy s obsahem cukru na sklokeramickém povrchu.	<p>Tyto nečistoty odstraňte ihned pomocí vhodné škrabky, dbejte na horkou varnou zónu:</p> <ol style="list-style-type: none"> 1. Odpojte napájení varné desky. 2. Držte škrabku v úhlu 30° k odstranění nečistot. 3. Nečistoty vyčistěte pomocí utěrky. 4. Provedte kroky 2 až 4 části „Běžné znečištění“ výše. 	<ul style="list-style-type: none"> • Odstraňte roztavené látky nebo pokrmy s obsahem cukru co nejrychleji. Pokud je necháte na sklokeramické ploše vychladnout, jejich odstranění může být obtížné, nebo mohou trvale poškodit povrch varné desky. <ul style="list-style-type: none"> • Riziko zranění: po sejmutí ochranného krytu čepel se odkryje ostrá čepel škrabky. Používejte se zvýšenou opatrností a skladujte jí mimo dosah dětí.
Skvrny na dotekových ovladačích.	<ol style="list-style-type: none"> 1. Vypněte napájení varné desky. 2. Nečistotu namočte. 3. Utřete oblast dotekových ovladačů vlhkou utěrkou. 4. Oblast důkladně vysušte papírovou utěrkou. 5. Opět zapojte napájení varné desky. 	<ul style="list-style-type: none"> • Varná deska může vydat akustický signál a sama se vypnout a dotekové ovladače nebudou fungovat, pokud se na nich nachází tekutina. Před opětovným zapnutím varné desky se ujistěte, zda je oblast dotekových ovladačů zcela suchá.

Rady a tipy

Problém	Možná příčina	Co dělat
Indukční varnou desku nelze zapnout.	Není napájení.	Zkontrolujte, zda je indukční varná deska připojena k elektrické síti a zda je zapnutá. Zkontrolujte, zda nenastal výpadek elektrické energie v domácnosti. Pokud problém stále trvá, kontaktujte servisního technika.
Dotekové ovladače nereagují.	Ovladače jsou uzamčené.	Odemkněte ovladače. Viz část „Použití varné desky“.
Těžká obsluha dotekových ovladačů.	Na dotekových ovladačích může být tenká vrstva vody, nebo jste k ovládání použili špičku prstu.	Ujistěte se, zda je doteková oblast suchá a k ovládání použijte bříško prstu.
Sklo je poškrábané.	Drsné nádobí. Použili jste drsné škrabky nebo čisticí prostředky.	Používejte nádobí s hladkým a rovným dnem. Viz „Volba správného nádobí“. Viz „Péče a čištění“.
Některé nádobí vydává praskavý zvuk.	Může to být z důvodu konstrukce nádobí (vrstvy různých materiálů různě vibrují).	Je to zcela normální jev a nepředstavuje závadu.
Indukční deska hučí při použití vysokého výkonu.	Je to způsobeno technologií indukčního vaření.	Je to normální a hučení může zmizet po snížení výkonu.
Šum ventilátoru z indukční varné desky.	Chladicí ventilátor v indukční varné desce brání v přehřátí elektroniky. Může pokračovat v provozu i po vypnutí varné desky.	Je to zcela normální. Neodpojujte napájení varné desky od hlavního zdroje napájení během chodu ventilátoru.
Nádobí se nehřeje a na displeji se zobrazí  .	Indukční varná deska nemůže detekovat nádobí, neboť není vhodné pro indukční vaření. Indukční varná deska nemůže detekovat nádobí, protože je příliš malé nebo není správně vystředěné na varné zóně.	Použijte nádobí vhodné pro indukční vaření. Viz část „Volba vhodného nádobí“. Vycentrujte nádobí a ujistěte se, zda odpovídá velikosti varné zóny.

Indukční varná deska nebo varná zóna se nečekaně sama vypne, zní akustický signál a zobrazí se kód závady (standardně se střídá s jednou nebo dvěma číslicemi na displeji časovače).	Technická závada.	Poznačte si kód závady, vypněte napájení varné desky a kontaktujte kvalifikovaného servisního technika
--	-------------------	--

Nikdy se nepokoušejte rozebírat spotřebič svépomocně.

Zobrazení kódu závady a kontrola

Pokud nastane nějaká závada, indukční varná deska se automaticky přepne do ochranného režimu a zobrazí příslušný kód:

Problém	Možná příčina	Co dělat?
F3-F8	Vadný teplotní senzor	Kontaktujte dodavatele.
F9-FE	Vadný teplotní senzor IGBT.	Kontaktujte dodavatele.
E1/E2	Nestandardní napájení	Zkontrolujte napájení. Zapněte varnou desku po obnovení standardního napájení.
E3/E4	Nestandardní teplota	Zkontrolujte nádobí.
E5/E6	Špatná indukce	Začněte opět po ochlazení varné desky spotřebiče.

Výše uvedené body popisují běžné závady.

Nepokoušejte se varnou desku opravovat svépomocně, abyste zabránili možnému riziku.

Technické údaje

Varná deska	CDI 30
Varné zóny	2 zóny
Napájení	220-240V~ 50/60Hz
Výkon	3500 W
Rozměry spotřebiče d × š × v (mm)	288 × 520 × 56
Rozměry pro vestavbu A × B (mm)	268 × 500

Hmotnost a rozměry jsou přibližné. Z důvodu neustálého vylepšování našich výrobků se mohou technické údaje a design měnit bez předchozího upozornění.

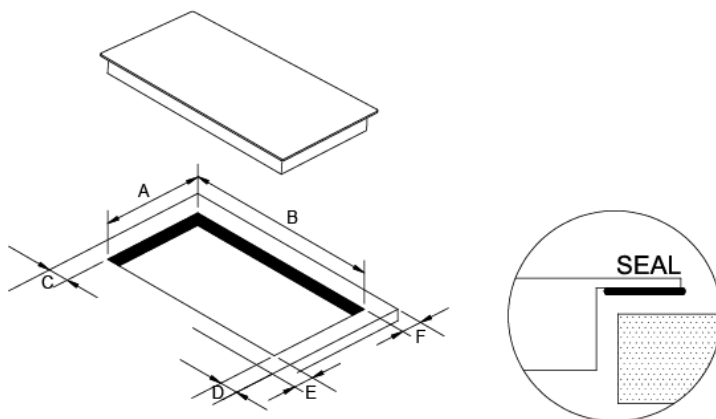
Instalace

Volba místa instalace

Vyřízněte otvor do pracovní desky podle rozměrů na obrázku.

Pro instalaci a použití nechte minimálně 5 cm volného prostoru kolem otvoru varné desky.

Ujistěte se, zda je tloušťka pracovní desky nejméně 30 mm. Zvolte teplu odolný materiál pracovní desky, abyste zabránili deformaci způsobené teplem z varné desky.

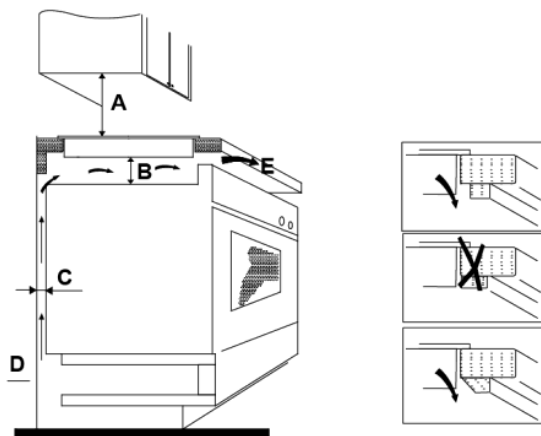


A(mm)	B(mm)	C(mm)	D(mm)	E(mm)	F(mm)
268 ⁺⁴ ₋₀	500 ⁺⁴ ₋₀	50mini	50 mini	50 mini	50 mini

Vždy zajistěte dostatečné větrání varné desky a neblokuje vstupní a výstupní větrací otvory. Ujistěte se, zda je varná deska v dobrém stavu.



Poznámka: bezpečná vzdálenost mezi varnou deskou a skříňkou nad ní by měla být nejméně 760 mm.



A(mm)	B(mm)	C(mm)	D	E
760	50 mini	30 mini	Vstup vzduchu	Výstup vzduchu 10 mm

Před instalací varné desky se ujistěte, že

- pracovní deska je rovná a uvnitř nebrání žádné strukturální přepážky
 - pracovní deska je ze žáruvzdorného materiálu
 - pokud instalujete varnou desku nad troubu, trouba musí mít vestavěný chladič ventilátor
 - instalace musí vyhovovat platným požadavkům a standardům
 - musíte instalovat vhodné odpojovací zařízení poskytující úplné odpojení od elektrické sítě, montované a umístěné v souladu s platnými předpisy a směrnici.
- Izolační spínač musí poskytovat odstup mezi kontakty všech pólů nejméně 3 mm (nebo všech aktivních [živých] vodičů)
- odpojovací přepínač musí být snadno přístupný po instalaci varné desky
 - musíte dodržovat platné stavební zákony a předpisy ohledně instalace
 - kolem varné desky musí být žáruvzdorný a snadno čistitelný povrch (keramické dlaždice).

Po instalaci varné desky se ujistěte, že

- přívodní kabel není přístupný přes šuplík nebo skříňku pod varnou deskou
- uvnitř skříňky je dostatek vzduchu pro chlazení
- pokud varnou desku instalujete nad šuplík nebo skříňku, musíte pod varnou desku instalovat izolační mezidno
- odpojovací přepínač musí zůstat po instalaci spotřebiče snadno přístupný

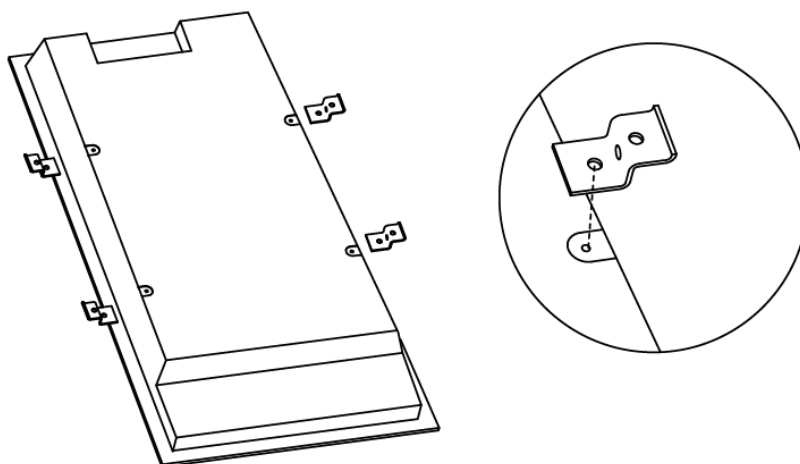
Před použitím upevňovacích držáků

Spotřebič postavte na stabilní, hladký povrch (použijte obal). Na prvky vyčnívající z varné desky nevyvíjejte nadměrnou sílu.

Nastavení pozice držáků

Připevněte varnou desku k pracovní desce pomocí 4 držáků na spodní straně varné desky (viz obrázek) po instalaci.

Nastavte pozici držáku s ohledem na pracovní desku.



Upozornění

1. Sklokeramickou varnou desku musí instalovat kvalifikovaný servisní technik. V našem servisu jsou profesionálové. Nikdy se ji nepokoušejte instalovat svépomocně.
2. Varnou desku neinstalujte na chladicí zařízení, myčky nádobí nebo rotační sušičky.
3. Varnou desku instalujte tak, aby mohlo teplo volně unikat pro zlepšení její spolehlivosti.
4. Zeď kolem a oblast nad varnou deskou by měla být z teple odolného materiálu.
5. Abyste zabránili poškození, pracovní deska a lepidlo musí být žáruvzdorné.

Připojení varné desky k elektrické síti



Varnou desku musí k elektrické síti připojovat pouze kvalifikovaný technik.

Před připojením k elektrické síti zkontrolujte, že:

1. elektrický systém v domácnosti je vhodný pro příkon varné desky.
2. napětí odpovídá hodnotě na výrobním štítku.
3. napájecí kabel snese zatížení uvedené na výrobním štítku.

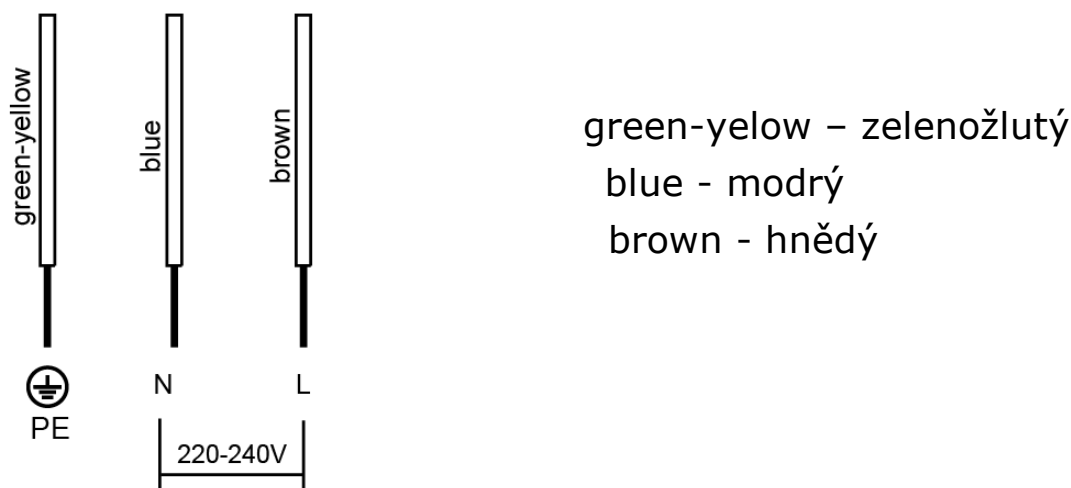
Pro připojení varné desky k elektrické síti nepoužívejte adaptéry ani rozbočky, neboť to může způsobit přehřátí a požár.

Napájecí kabel nesmí přijít do kontaktu s horkými povrchy a musí být umístěn tak, aby jeho teplota nepřesáhla v žádném bodě 75°C.



Požádejte elektrikáře o kontrolu elektrického systému v domácnosti. Veškeré změny musí provádět pouze kvalifikovaný elektrikář.

Napájení připojte v souladu s příslušnými standardy, nebo k jednopólovému odpojovacímu zařízení. Způsob zapojení je zobrazen níže.



- Pokud je kabel poškozený nebo je nutné jej vyměnit, tuto činnost musí provést kvalifikovaný technik za pomoci speciálního nářadí.
- Pokud je spotřebič připojen přímo k elektrické síti, musí být včleněno nepólové odpojovací zařízení s minimálním odstupem mezi kontakty 3 mm.
- Instalatér musí zajistit správné připojení k elektrické síti v souladu s platnými předpisy.
- Kabel neohýbejte ani nestlačujte.
- Kabel pravidelně kontrolujte a výměnu smí provádět pouze kvalifikovaný servisní technik.
- Žlutozelený vodič napájecího kabelu musí být připojen k uzemnění a ke konektoru spotřebiče.

- Výrobce nenese žádnou odpovědnost za nehody vyplývající z použití spotřebiče, který není připojený k uzemnění, nebo k špatnému uzemnění.
- Pokud má spotřebič zástrčku, musí se připojit k elektrické zásuvce, která je snadno přístupná.




**LIKVIDACE:
Nelikvidujte tento spotřebič jako netříděný komunální odpad. Je nutný separovaný sběr pro speciální zacházení.**

Tento spotřebič je označen v souladu s Evropskou směrnicí 2012/19/EC o Likvidaci elektrických a elektronických zařízení (WEEE). Zajištěním správné likvidace tohoto spotřebiče pomáháte zabránit možným negativním dopadům na životní prostředí a lidské zdraví, které může být negativně ovlivněno v případě nesprávné likvidace.

Symbol na výrobku označuje, že tento spotřebič se nesmí likvidovat jako běžný domovní odpad. Musíte jej odnést na sběrné místo k recyklaci elektrických a elektronických zařízení.

Tento spotřebič vyžaduje specializovanou likvidaci. Pro další informace týkající se zacházení, obnovy a recyklace tohoto spotřebiče kontaktujte místní správu, místní recyklační středisko nebo prodejnu, kde jste spotřebič zakoupili.

Pro podrobnější informace o zpracování, obnově a recyklaci tohoto spotřebiče kontaktujte místní správu, místní recyklační středisko nebo prodejnu, kde jste spotřebič zakoupili.

W związku z umieszczeniem znaku CE  na produkcie, na własną odpowiedzialność deklarujemy zgodność produktu z wymogami prawnymi dotyczącymi bezpieczeństwa, zdrowia i środowiska obowiązującymi we Wspólnocie Europejskiej.

Ostrzeżenia dotyczące bezpieczeństwa

Twoje bezpieczeństwo jest dla nas ważne. Przeczytaj poniżej informacje przed rozpoczęciem użytkowania płyty grzewczej.

Montaż

Niebezpieczeństwo porażenia prądem

- Przed rozpoczęciem jakichkolwiek prac przy płycie lub przed pracami konserwacyjnymi odłącz płytę od zasilania elektrycznego.
- Kluczowe znaczenie ma podłączenie płyty do układu uziemiającego. Uziemienie płyty jest obowiązkowe.
- Zmiany w domowej instalacji elektrycznej może wykonywać wyłącznie wykwalifikowany elektryk.
- Nieprzestrzeganie powyższych zaleceń może spowodować porażenie prądem elektrycznym lub śmierć.

Niebezpieczeństwo skaleczenia

- Uwaga – krawędzie panelu są ostre.
- Niezachowanie ostrożności może doprowadzić do obrażeń lub skaleczenia.

Ważne instrukcje dotyczące bezpieczeństwa

- Przed rozpoczęciem montażu lub eksploatacji płyty przeczytaj uważnie niniejszą instrukcję.
- Na płycie nie wolno umieszczać żadnych materiałów lub produktów palnych.
- Prosimy o przekazanie niniejszych informacji osobie odpowiedzialnej za montaż płyty, ponieważ mogą one zmniejszyć koszty montażu.
- Aby uniknąć zagrożeń płytę należy zainstalować zgodnie z instrukcjami dotyczącymi montażu.
- Płytę musi zainstalować i uziemić wyłącznie osoba posiadająca stosowne kwalifikacje.
- Płytę należy podłączyć do obwodu wyposażonego w odłącznik zapewniający całkowite odłączenie od zasilania.
- Nieprawidłowe zamontowanie płyty może spowodować nieważność wszelkich roszczeń gwarancyjnych lub związanych z odpowiedzialnością producenta.

Użytkowanie i konserwacja

Niebezpieczeństwo porażenia prądem

- Nie gotuj na uszkodzonej lub pękniętej płycie. Jeżeli powierzchnia

wierzchnia płyty ukruszy się lub pęknie, odłącz płytę natychmiast od zasilania (wyłącznikiem ściennym) i skontaktuj się z wykwalifikowanym technikiem.

- Przed czyszczeniem lub konserwacją odłącz płytę od zasilania wyłącznikiem ściennym.
- Nieprzestrzeganie powyższych zaleceń może spowodować porażenie prądem elektrycznym lub śmierć.

Zagrożenie dla zdrowia

- Płyta spełnia wymagania norm bezpieczeństwa urządzeń elektromagnetycznych.
- Mimo to, osoby z rozrusznikami serca lub innymi implantami elektrycznymi (takimi jak pompy insulinowe) muszą skontaktować się z lekarzem lub producentem implantu przed rozpoczęciem użytkowania płyty i upewnić się, że pole magnetyczne nie wpłynie na działanie implantu.
- Nieprzestrzeganie tego zalecenia grozi śmiercią.

Niebezpieczeństwa związane z gorącymi powierzchniami

- Podczas użytkowania elementy płyty dostępne dla użytkownika nagrzewają się w stopniu mogącym spowodować oparzenia.
- Nie dotykaj i nie dopuszczaj do kontaktu odzieży lub innych przedmiotów z powierzchnią płyty, zanim powierzchnia ta nie ostygnie.
- Ulegające namagnesowaniu przedmioty metalowe noszone na ciele mogą nagrzewać się w pobliżu płyty grzewczej. Nie dotyczy to złotej lub srebrnej biżuterii.
- Rączki garnków mogą się nagrzewać. Dbaj, aby rączki rondli nie znajdowały się nad innymi włączonymi polami grzewczymi. Garnki stawiaj tak, aby były poza zasięgiem dzieci.
- Nieprzestrzeganie powyższych zaleceń może spowodować oparzenie.

Niebezpieczeństwo skaleczenia

- Krawędź skrobaka do płyty, normalnie osłonięta osłoną zabezpieczającą, jest bardzo ostra. Zachowaj wyjątkową ostrożność podczas użycia i zawsze przechowuj w bezpiecznym miejscu, poza zasięgiem dzieci.
- Niezachowanie ostrożności może doprowadzić do obrażeń lub skaleczenia.

Ważne instrukcje dotyczące bezpieczeństwa

- Nie pozostawiaj płyty bez nadzoru podczas gotowania. Wykipienie powoduje powstawanie dymu i rozlanie tłuszczu, które mogą się zapalić.
- Nie używaj płyty jako powierzchni roboczej i miejsca na

przechowywanie jakichkolwiek przedmiotów.

- Nie zostawiaj na płycie żadnych przedmiotów ani przyborów kuchennych.
- Nie zostawiaj w pobliżu płyty żadnych obiektów ulegających namagnesowaniu (np. kart kredytowych, kart pamięci) lub urządzeń elektronicznych (np. komputerów, odtwarzaczy MP3), ponieważ mogą one zostać uszkodzone przez pole magnetyczne płyty.
- Nie używaj płyty do ogrzewania pomieszczenia.
- Po zakończeniu użytkowania wyłącz pola grzewcze i płytę w sposób opisany w niniejszej instrukcji (tj. za pomocą przycisków dotykowych).
- Nie pozwalaj dzieciom bawić się płytą ani siadać, stawać lub wspinać się na płytę.
- W szafkach nad płytą nie trzymaj przedmiotów, którymi mogłyby interesować się dzieci. Wspinanie się na płytę może spowodować poważne obrażenia u dzieci.
- Podczas użytkowania płyty nie pozostawiaj dzieci bez nadzoru w pobliżu płyty.
- Dzieci i osoby niepełnosprawne, których niepełnosprawność ogranicza możliwość korzystania z płyty, powinny otrzymać instrukcje dotyczące korzystania z płyty od odpowiedzialnej i kompetentnej osoby. Osoba ta powinna upewnić się, że będą one w stanie korzystać z płyty bez stwarzania zagrożenia dla siebie i dla otoczenia.
- Nie naprawiaj ani nie wymieniaj elementów płyty, o ile nie zaleca tego wprost niniejsza instrukcja. Wszelkie inne prace serwisowe powinien wykonywać wyłącznie wykwalifikowany instruktor.
- Nie czyść płyty przy pomocy urządzeń do czyszczenia parą.
- Nie stawiaj ani nie zrzucaj na płytę ciężkich przedmiotów.
- Nie stawaj na płycie.
- Nie używaj garnków o wyszczerbionych krawędziach ani nie ciągnij garnków po powierzchni płyty, ponieważ może to spowodować zarysowanie szkła.
- Do czyszczenia płyty nie używaj zmywaków drucianych ani żadnych innych ściernych środków czyszczących, ponieważ mogą one spowodować zarysowanie szkła.
- W przypadku uszkodzenia kabla zasilającego musi on zostać wymieniony przez wykwalifikowanego technika.
- Płyta jest przeznaczona do użytku w gospodarstwie domowym i w podobnych zastosowaniach, takich jak: - kuchnie dla personelu w sklepach, biurach i innych środowiskach pracy; - domach wiejskich; - kuchnie dla klientów w hotelach, motelach i innych punktach

- zakwaterowania; - punktach oferujących noclegi ze śniadaniem.
- Płyta może być używana przez dzieci powyżej 8 roku życia oraz osoby o ograniczonych możliwościach fizycznych lub umysłowych bądź niemające doświadczenia i wiedzy w zakresie obsługi płyty wyłącznie pod nadzorem lub po przeszkoleniu w zakresie korzystania z płyty w bezpieczny sposób i pod warunkiem, że osoby te rozumieją zagrożenia związane z użytkowaniem płyty. Dzieci mogą czyścić płytę i wykonywać prace konserwacyjne przewidziane dla użytkownika wyłącznie pod nadzorem.
 - **OSTRZEŻENIE:** smażenie z użyciem tłuszczu lub oleju i pozostawienie potraw bez nadzoru grozi pożarem. **NIGDY** nie gaś ognia wodą, ale wyłącz płytę, a następnie przykryj płomień, np. pokrywką lub kocem gaśniczym.
 - Nie kładź na płycie żadnych metalowych przedmiotów, takich jak noże, widelce, łyżki i pokrywki, ponieważ mogą się one nagrzewać.
 - Po zakończeniu użytkowania, wyłącz pole grzejne za pomocą przycisku, a nie czekaj, aż zostanie ono wyłączone przez czujnik garnka.
 - Urządzenie nie zostało zaprojektowane do sterowania za pomocą zewnętrznego czasomierza lub oddzielnego układu zdalnego sterowania.

Gratulujemy zakupu nowej indukcyjnej płyty grzewczej.

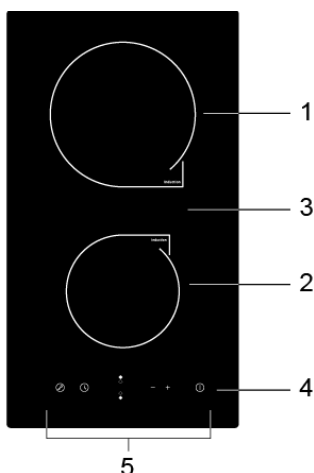
Zalecamy przeczytanie niniejszej instrukcji / instrukcji montażu w celu pełnego zrozumienia prawidłowego sposobu montażu oraz użytkowania płyty.

Montaż został omówiony w sekcji poświęconej montażowi.

Przed rozpoczęciem użytkowania przeczytaj uważnie instrukcje dotyczące bezpieczeństwa i zachowaj niniejszą instrukcję / instrukcję montażu na przyszłość.

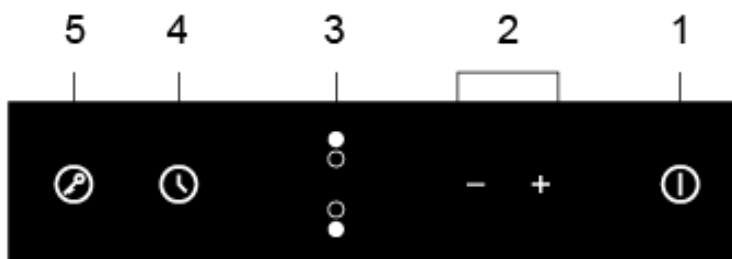
Omówienie produktu

Widok od góry



1. Pole maks. 2000 W
2. Pole maks. 1500 W
3. Szklana płyta
4. WŁ / WYŁ
5. Panel sterowania

Panel sterowania

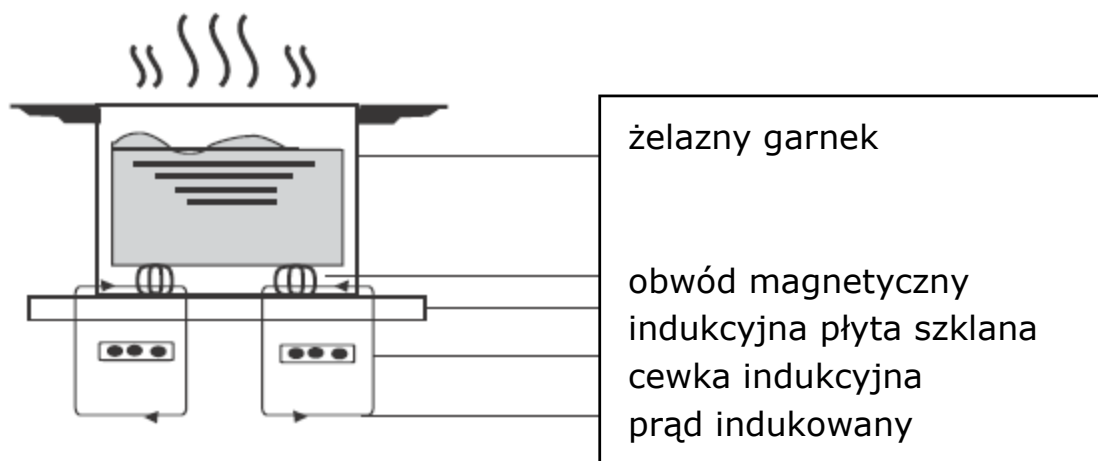


1. WŁ / WYŁ
2. Regulacja mocy / czasomierza
3. Wybór pól grzewczych
4. Czasomierz
5. Blokada

Zasada działania

Gotowanie indukcyjne jest bezpieczną, zaawansowaną, efektywną i ekonomiczną technologią gotowania. Działa w oparciu o drgania pola elektromagnetycznego generujące ciepło bezpośrednio w garnku zamiast podgrzewać garnek pośrednio poprzez szklaną powierzchnię. Szkło nagrzewa

się jedynie dlatego, że nagrzewa się garnek.

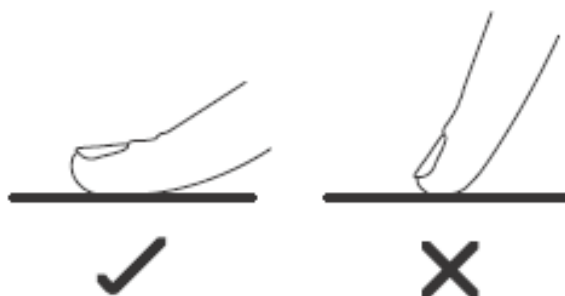


Przed rozpoczęciem użytkowania nowej płyty indukcyjnej

- Przeczytaj tę instrukcję, zwracając szczególną uwagę na sekcję „Ostrzeżenia dotyczące bezpieczeństwa”.
- Usuń folię ochronną, którą może być wciąż zabezpieczona płyta.

Korzystanie z przycisków dotykowych

- Przyciski reagują na dotyk, nie trzeba ich mocno naciskać.
- Używaj opuszcza palca, a nie jego końca.
- Każde zarejestrowanie dotknięcia jest potwierdzone dźwiękiem.
- Upewnij się, że przyciski są zawsze czyste, suche i że nic ich nie zakrywa (np. przybory kuchenne lub ściereczka). Korzystanie z przycisków może utrudnić nawet cienka warstwa

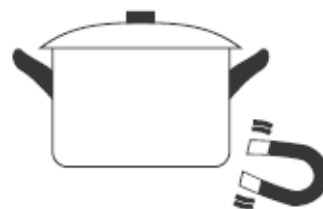



Wybór właściwych garnków



- Używaj wyłącznie garnków z dnem przeznaczonym do gotowania indukcyjnego. symbolu indukcji na opakowaniu lub dnie garnka.

- To, czy garnek jest właściwy, możesz sprawdzić przy pomocy magnesu. Przesuń magnes do dna garnka. Jeżeli zostanie przyciągnięty, garnek może być używany na płycie indukcyjnej.



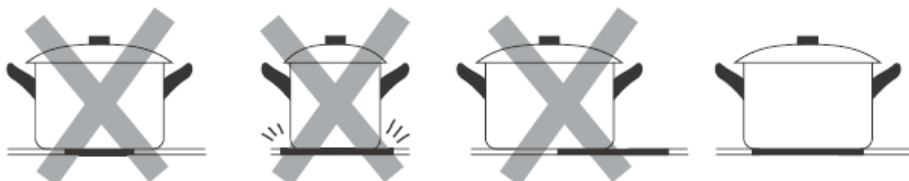
- Jeżeli nie masz magnesu:
 1. Nalej trochę wody do sprawdzanego garnka.
 2. Jeżeli na wyświetlaczu nie zaczną migać symbol  woda zacznie się ogrzewać, garnek jest właściwy.
 - Na płycie indukcyjnej nie możesz używać garnków wykonanych z: czystej stali nierdzewnej, aluminium lub miedzi bez magnetycznego dna, szkła, drewna, porcelany, ceramiki i gliny.
-

Nie używaj garnków o wyszczerbionych krawędziach lub wygiętym dnie.

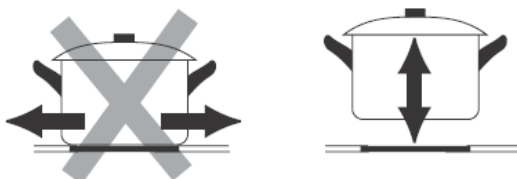


Upewnij się, że dno garnka jest gładkie, przylega dobrze do szkła i ma taki sam rozmiar jak pole grzewcze. Użycie garnków o większej średnicy powoduje, że pole będzie używało maksymalnej mocy; gdy garnek będzie mniejszy, moc może być mniejsza od oczekiwanej.

Garnki o średnicy mniejszej niż 140 mm mogą nie zostać wykryte przez pole grzewcze płyty. Zawsze stawiaj garnek na środku pola grzewczego.



Garnki z płyty zdejmuj podnosząc je – nie przesuwaj ich, ponieważ może to spowodować zarysowanie szkła.



Użytkowanie indukcyjnej płyty grzewczej

Rozpoczęcie gotowania

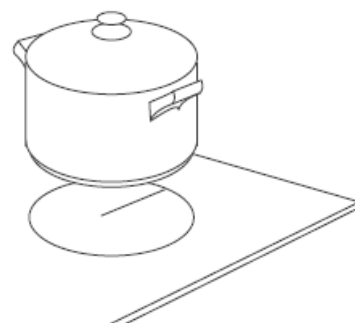
1. Dotknij przycisku WŁ/WYŁ.

Gdy zasilanie zostanie włączone, alarm zabrzączy raz i wyświetlacz pokaże „ - ” lub „ - - ”, wskazując, że płyta znajduje się w trybie oczekiwania.



2. Ustaw odpowiedni garnek na polu grzewczym, którego chcesz użyć.

- Upewnij się, że spód garnka i powierzchnia pola grzewczego są czyste i suche.

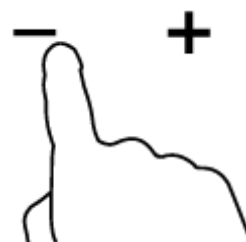


3. Dotknij przycisku wybierania pola grzewczego; wskaźnik obok przycisku zacznie migać.



4. Wybierz poziom grzania za pomocą przycisku „-” lub „+”...

- Jeżeli nie wybierzesz poziomu grzania w ciągu 1 sekundy, płyta indukcyjna wyłączy się automatycznie. W takim przypadku musisz zacząć od początku od kroku 1.



- Ustawienie poziomu grzania możesz zmienić w dowolnym momencie podczas gotowania.

Jeżeli wyświetlacz pokazuje $\geq \underline{\quad} \leq$ na zmianę z ustawieniem poziomu mocy

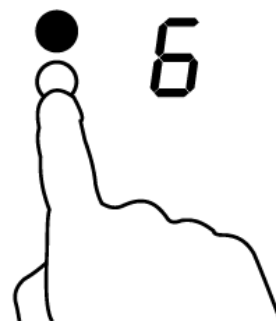
Oznacza to, że:

- nie ustawiłeś garnka na właściwym polu grzewczym, lub
- ustawiony garnek nie nadaje się do gotowania indukcyjnego, lub
- garnek jest za mały lub nie jest ustawiony na środku pola grzewczego.

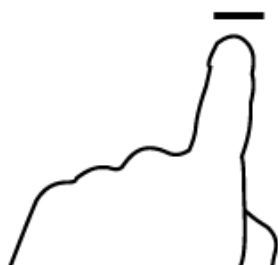
Ogrzewanie nie zachodzi, jeżeli na polu grzewczym nie stoi odpowiedni garnek. Jeżeli na polu grzewczym nie zostanie umieszczony odpowiedni garnek, wyświetlacz wyłączy się automatycznie po 2 minutach.

Po zakończeniu gotowania

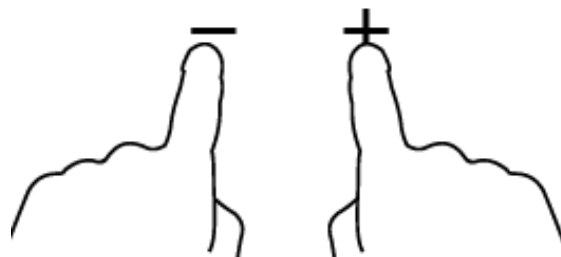
1. Dotknij przycisku wyboru pola grzewczego, które chcesz wyłączyć



2. Wyłącz pole grzewcze zmniejszając wartość do „ 0 ” lub dotykając przycisków „-” i „+” jednocześnie. Upewnij się, że wyświetlacz pokazuje „0”.



LUB



3. Wyłącz całkowicie płytę przy pomocy przycisku WŁ/WYŁ.



4. Uwaga: gorące powierzchnie

Litera „H” wskazuje, że pole grzewcze jest gorące. Po ochłodzeniu pola do bezpiecznej temperatury ostrzeżenie to zniknie. Wskazanie to możesz wykorzystać także do oszczędzania energii: jeżeli chcesz nagrzać następne garnki, użyj pola, które jest wciąż gorące.



Blokowanie przycisków

- Aby zapobiec niekontrolowanemu użyciu przycisków, możesz je zablokować (np. aby zapobiec przypadkowemu włączeniu pól grzewczych przez dzieci)
- Po zablokowaniu przycisków dostępny jest jedynie przycisk WŁ/WYŁ.

Blokowanie przycisków

Dotknij przycisku blokady. Wskaźnik czasomierza pokaże wskazanie „Lo”

Odblokowywanie przycisków

1. Upewnij się, że płyta indukcyjna jest włączona.
2. Dotknij i przytrzymaj przez chwilę przycisk blokady.
3. Płyta jest odblokowana i możesz jej używać.



Gdy płyta jest zablokowana, wszystkie przyciski z wyjątkiem WŁ/WYŁ są niedostępne. W razie niebezpieczeństwa możesz zawsze wyłączyć płytę przy pomocy przycisku WŁ/WYŁ, ale aby wykonać następną operację, musisz odblokować płytę.

Zabezpieczenie przed przegrzaniem

Czujnik temperatury, w który wyposażona jest płyta, monitoruje temperaturę płyty. W przypadku odnotowania nadmiernej temperatury płyta zostanie automatycznie wyłączona.

Wykrywanie małych przedmiotów

W przypadku wykrycia garnka o niewłaściwym rozmiarze lub niemagnetycznego (np. aluminiowego) lub innego małego przedmiotu (np. noża, widelca, klucza) na płycie, płyta automatycznie przejdzie w stan oczekiwania po upływie 1

minuty. Wentylator będzie chłodził płytę grzewczą przez następną minutę.

Automatyczne wyłączenie

Inną funkcją płyty indukcyjnej, związaną z bezpieczeństwem, jest automatyczne wyłączenie. Zadziała zawsze wtedy, gdy zapomnisz wyłączyć pole grzewcze. Domyślne czasy dla automatycznego wyłączenia podano w tabeli poniżej:

Poziom mocy	1	2	3	4	5	6	7	8	9
Domyślny czas pracy (w godzinach)	8	8	8	4	4	4	2	2	2

Po zdjęciu garnka płyta indukcyjna zatrzyma ogrzewanie natychmiast i wyłączy się automatycznie po około 2 minutach.



Przed rozpoczęciem użytkowania płyty osoby z rozrusznikami serca powinny skonsultować się z lekarzem.

Korzystanie z czasomierza

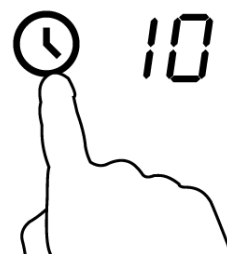
Czasomierza możesz używać na dwa różne sposoby:

- Możesz go wykorzystywać jako minutnika. W tym przypadku, po upływie zadanego czasu czasomierz nie wyłączy żadnego pola grzewczego.
- Możesz go ustawić tak, aby wyłączył jedno pole grzewcze po upływie zadanego czasu.
- Maksymalna wartość, na jaką można ustawić czasomierz, to 99 minut.

Używanie czasomierza jako minutnika

Jeżeli nie wybierasz żadnego pola grzewczego

1. Upewnij się, że płyta grzewcza jest włączona.
Uwaga: minutnik możesz wykorzystać nawet jeżeli nie wybierasz żadnego pola grzewczego.
2. Dotknij przycisku czasomierza. Wskaźnik zacznie migać, a na wyświetlaczu pokazane zostanie wskazanie „10”.



3. Ustaw czasomierz za pomocą przycisku „-” lub „+”.



Wskazówka: dotknij przycisku „-” lub „+” czasomierza, zmniejszyć lub zwiększyć zadaną wartość o 1 minutę.

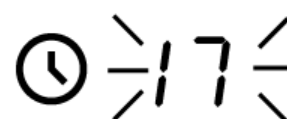
Dotknij przycisku „-” lub „+” i przytrzymaj go, aby zmniejszyć lub zwiększyć zadaną wartość o 10 minut.

Jeżeli ustawiony czas przekroczy 99 minut, czasomierz automatycznie powróci do wartości 00 minut.

4. Dotykając jednocześnie przycisków „-” i „+” skasujesz ustawienia czasomierza, a na wyświetlaczu minut pokazane zostanie wskazanie „00”.



5. Po ustawieniu czasu natychmiast rozpocznie się odliczanie. Wyświetlacz będzie pokazywał pozostały czas, zaś wskaźnik czasomierza będzie migał przez 5 sekund.



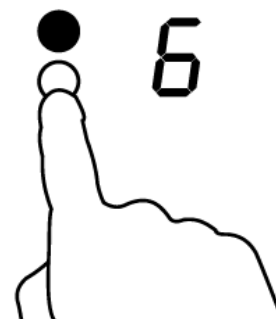
6. Po upływie zadanego czasu na 30 sekund włączy się sygnał dźwiękowy, zaś wskaźnik czasomierza pokaże „- -”.



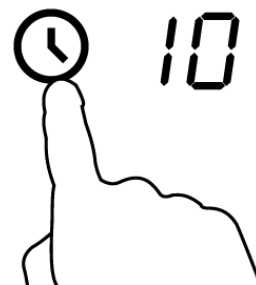
Ustawianie czasomierza wyłączenia pola grzewczego

Po ustawieniu tej funkcji dla pola grzewczego:

1. Dotknij przycisku wyboru pola grzewczego dla którego chcesz ustawić czasomierz.



2. Dotknij przycisku czasomierza; wskaźnik czasomierza zacznie migać, a wyświetlacz pokaże wartość „10”.



3. Ustaw czas dotykając przycisku „-” lub „+” czasomierza



Wskazówka: dotknij przycisku „-” lub „+” czasomierza aby zmniejszyć lub zwiększyć zadaną wartość o 1 minutę.

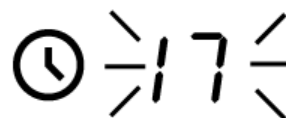
Dotknij przycisku „-” lub „+” i przytrzymaj go, aby zmniejszyć lub zwiększyć zadaną wartość o 10 minut.

Jeżeli ustawiony czas przekroczy 99 minut, czasomierz automatycznie powróci do wartości 00 minut.

4. Dotykając jednocześnie przycisków „-” i „+” skasujesz ustawienia czasomierza, a na wyświetlaczu minut pokazane zostanie wskazanie „00”.



5. Po ustawieniu czasu natychmiast rozpocznie się odliczanie. Wyświetlacz będzie pokazywał pozostały czas, zaś wskaźnik czasomierza będzie migał przez 5 sekund.



UWAGA: czerwona kropka obok wskaźnika poziomu mocy będzie się świecić, wskazując wybrane pole.



6. Po upływie zadanego czasu gotowania odpowiednie pole grzewcze wyłączy się automatycznie.



Inne pola grzewcze będą działać dalej, jeżeli zostały wcześniej włączone.

Wytyczne dotyczące gotowania



Zachowaj ostrożność, ponieważ olej i tłuszc podgrzewają się bardzo szybko, szczególnie w przypadku korzystania z funkcji PowerBoost. W wysokich temperaturach olej i tłuszc mogą ulec samozapłonowi, co stwarza poważne zagrożenie pożarowe.

Wskazówki dotyczące gotowania

- Gdy potrawa zacznie się gotować, zmniejsz ustawienie temperatury.
- Używanie pokrywek skraca czas gotowania i pozwala zaoszczędzić energię dzięki oszczędzaniu ciepła.
- Używaj jak najmniejszej ilości cieczy lub tłuszczu, aby skrócić czas gotowania.
- Gotowanie zaczynaj na wysokim poziomie i zmniejsz ustawienia, gdy potrawa się nagrzeje.

Gotowanie na wolnym ogniu, gotowanie ryżu

- Gotowanie na wolnym ogniu zachodzi tuż poniżej temperatury wrzenia, przy około 85°C, gdy bąbelki w gotowanej cieczy pojawiają się od czasu do czasu.

Taki sposób gotowania jest kluczowy przy przygotowywaniu znakomitych zup i duszeniu mięsa, ponieważ pozwala na uzyskanie aromatu bez nadmiernego rozgotowania składników. Poniżej temperatury wrzenia powinieneś gotować także sosy na bazie jajek i zagęszczane mąką.

- Niektóre potrawy, w tym gotowanie ryżu metodą absorpcji, mogą wymagać ustawienia wyższego niż najniższe, aby zapewnić właściwe ugotowanie potrawy w zalecanym czasie.

Smażenie steków

Aby usmażyć soczyste i smakowite steki:

1. Przed rozpoczęciem smażenia pozostaw mięso w temperaturze pokojowej przez około 20 minut.
2. Rozgrzej patelnię z grubym dnem.
3. Natrzyj obie strony steku olejem. Nalej małą ilość oleju na rozgrzaną patelnię i połóż mięso na patelni.
4. Podczas smażenia obróć stek tylko raz. Dokładny czas smażenia zależy od grubości steku i żądanego poziomu wysmażenia. Czas ten wynosi od około 2 do 8 minut na każdą stronę. Naciśnij stek, aby sprawdzić, jak jest wysmażony – im jest twardszy, tym jest lepiej wysmażony.
5. Przed podaniem pozostaw stek na ogrzonym talerzu przez kilka minut, aby się rozluźnił i nabrał miękkości.

Smażenie na sposób chiński (krótkie, z intensywnym mieszaniem)

1. Wybierz patelnię z płaskim dnem lub dużą patelnię, przeznaczoną do płyt indukcyjnych.
2. Przygotuj składniki i sprzęt. Smażenie na sposób chiński powinno być krótkie. Jeżeli masz do usmażenia duże ilości składników, podziel je na mniejsze porcje.
3. Krótko podgrzej wstępnie patelnię i nalej dwie łyżki oleju.
4. Najpierw usmaż mięso, odłóż na bok i trzymaj w ciepłe.
5. Usmaż warzywa. Gdy będą gorące, ale dalej chrupkie, zmniejsz ustawienie temperatury, dodaj mięso i sos.
6. Delikatnie zamieszaj składniki, aby dokładnie się nagrzały.
7. Podawaj od razu.

Ustawienia temperatury

Poniższe ustawienia mają charakter wskazówkowy. Dokładne ustawienie zależy od wielu czynników, w tym garnków i ilości przygotowywanego jedzenia. Eksperymentuj z płytą grzewczą, aby znaleźć ustawienie, które będzie Ci

najbardziej odpowiadać.

Ustawienie temperatury	Zalecenie
1 - 2	<ul style="list-style-type: none"> • delikatne podgrzewanie małych ilości jedzenia • topienie czekolady, masła i składników, które szybko się przypalają • delikatne gotowanie na wolnym ogniu • wolne podgrzewanie
3 - 4	<ul style="list-style-type: none"> • ponowne podgrzewanie • szybkie gotowanie na wolnym ogniu • gotowanie ryżu
5 - 6	<ul style="list-style-type: none"> • przygotowywanie naleśników
7 - 8	<ul style="list-style-type: none"> • sautéing • gotowanie makaronu
9	<ul style="list-style-type: none"> • smażenie na sposób chiński • przysmażanie • zagotowywanie zup • gotowanie wody

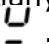
Czyszczenie i konserwacja

Co?	Jak?	Ważne!
Codzienne zabrudzenia szkła (odciski palców, zabrudzenia pozostawione przez jedzenie lub niezawierające cukru plamy na szkle)	<ol style="list-style-type: none"> 1. Wyłącz zasilanie płyty. 2. Nałóż środek do czyszczenia płyt, gdy szkło jest ciągle ciepłe (ale nie gorące!) 3. Spłucz i wytrzyj do sucha czystą ściereczką lub papierem. 4. Włącz zasilanie płyty. 	<ul style="list-style-type: none"> • Po wyłączeniu zasilania płyty nie będą wyświetlane ostrzeżenia o gorących polach grzewczych, ale mogą one być dalej nagrzane! Zachowaj wyjątkową ostrożność. • Druciaki do uporczywych zabrudzeń, niektóre druciaki nylonowe i ścierny środki czyszczące mogą zarysować szkło. Zawsze sprawdź na etykiecie, czy produkt jest przeznaczony do płyt indukcyjnych. • Nie zostawiaj na płycie resztek środka czyszczącego: może on spowodować zaplamienie szkła.
Wykipiałe ciecze, stopione resztki i	Usuń natychmiast łopatką, szpatułką lub skrobakiem	<ul style="list-style-type: none"> • Plamy powstałe na skutek stopienia lub wykipienia produktów

gorące ciecze zawierające cukier na szkle	<p>przeznaczonym do płyt indukcyjnych, ale uważaj na gorące powierzchnie pól grzewczych:</p> <ol style="list-style-type: none"> 1. Wyłącz płytę wyłącznikiem ściennym. 2. Trzymając ostrze lub narzędzie pod kątem 30° zeskrób resztki w kierunku chłodnej powierzchni płyty. 3. Zetrzyj resztki ściereczką do naczyń lub papierem. 4. Wykonaj kroki 2 do 4 opisane powyżej w sekcji „Codzienne zabrudzenia szkła” 	<p>zawierających cukier usuwaj jak najszybciej. Pozostawione na szkle mogą być, po ochłodzeniu, trudne do usunięcia lub mogą nawet trwale uszkodzić powierzchnię szkła.</p> <ul style="list-style-type: none"> • Niebezpieczeństwo skaleczenia: ostrze skrobaka, normalnie osłonięte osłoną ochronną, jest bardzo ostre. Zachowaj wyjątkową ostrożność podczas użycia i zawsze przechowuj w bezpiecznym miejscu, poza zasięgiem dzieci.
Zabrudzenia na przyciskach dotykowych	<ol style="list-style-type: none"> 1. Wyłącz zasilanie płyty. 2. Ściągnij rozlaną ciecz. 3. Przetrzyj obszar przycisków czystą, wilgotną gąbką lub szmatką. 4. Wytrzyj obszar przycisków do sucha ręcznikiem papierowym. 5. Włącz zasilanie płyty. 	<ul style="list-style-type: none"> • Po zalaniu przycisków dotykowych płyta może wyemitować sygnał dźwiękowy i wyłączyć się sama, a przyciski mogą nie działać. Przed włączeniem płyty upewnij się, że wytarłeś przyciski do sucha.

Wskazówki i podpowiedzi

Problem	Możliwe przyczyny	Co robić
Płyty nie można włączyć	Brak zasilania	Upewnij się, że płyta jest podłączona do zasilania i że zasilanie jest włączone. Sprawdź, czy w domu lub w okolicy jest prąd. Jeżeli sprawdziłeś wszystko i problem nie ustąpił, skontaktuj się z wykwalifikowanym technikiem.
Przyciski dotykowe nie działają	Przyciski są zablokowane	Odblokuj przyciski. Zob. sekcja „Użytkowanie płyty indukcyjnej”.
Korzystanie z przycisków dotykowych jest utrudnione	Na przyciskach może być cienka warstwa wody lub możesz naciskać przyciski końcem palca	Upewnij się, że obszar przycisków jest suchy i że dotykasz przycisków opuszką palca.

Szkło jest porysowane	Garnki o ostrych krawędziach Użyto niewłaściwego, twardego druciaka lub ściernego środka czyszczącego.	Używaj garnków o płaskich i gładkich dnach. Zob. „Wybór właściwych garnków”. Zob. „Czyszczenie i konserwacja”
Niektóre garnki mogą wydawać dźwięki (stuki, trzaski)	Może być to spowodowane budową garnka (warstwy różnych metali drgają w różny sposób)	Jest to normalne i nie jest oznaką awarii.
Płyta indukcyjna buczy po ustawieniu wysokiej mocy grzania.	Jest to spowodowane przez technologię indukcyjną.	Jest to normalne, ale hałas powinien zmniejszyć się lub zaniknąć po zmniejszeniu mocy.
Hałas wentylatora z płyty.	Dla ochrony układów elektronicznych przed przegrzaniem włączył się wentylator chłodzący wbudowany w płytę. Może on działać nawet po wyłączeniu płyty grzewczej.	Jest to normalne i nie wymaga podejmowania żadnych działań. Gdy wentylator pracuje, nie wyłączaj zasilania płyty wyłącznikiem ściennym.
Garnki się nie nagzewają, a na wyświetlaczu wyświetlany jest symbol  .	Płyta indukcyjna nie wykrywa garnka, ponieważ nie nadaje się on do gotowania na płycie indukcyjnej. Płyta indukcyjna nie wykrywa garnka, ponieważ garnek jest za mały w stosunku do pola grzewczego lub nie jest ustawiony na środku pola.	Używaj garnków do gotowania na płycie indukcyjnej. Zob. „Wybór właściwych garnków”. Ustaw garnek na środku pola i upewnij się, że jego dno pasuje do rozmiaru pola grzewczego.
Płyta indukcyjna lub pole grzewcze wyłącza się nieoczekiwanie, emitowany jest sygnał dźwiękowy, a na wyświetlaczu pojawia się kod błędu (zazwyczaj na zmianę z jedną lub dwiema cyframi na wyświetlaczu czasomierza)	Awaria techniczna	Prosimy zanotować litery i cyfry błędu, wyłączyć płytę wyłącznikiem ściennym i skontaktować się z wykwalifikowanym technikiem.

Nie próbuj demontować urządzenia samodzielnie.

Wyświetlane błędy i sprawdzanie

Jeśli występuje jakaś anomalia, płyta indukcyjna natychmiast przejdzie w tryb ochronny i wyświetli jeden z wyszczególnionych poniżej kodów:

Problem	Możliwa przyczyna	Co robić?
F3-F8	Uszkodzenie czujnika temperatury	Skontaktuj się z serwisem.
F9-FE	Awaria czujnika temperatury IGBT.	Skontaktuj się z serwisem.
E1/E2	Nienormalne napięcie zasilające	Sprawdź, czy napięcie zasilające jest normalne. Włącz ponownie, gdy napięcie jest normalne.
E3/E4	Nienormalna temperatura	Sprawdź garnek.
E5/E6	Słabe wypromieniowywanie ciepła przez płytę grzewczą.	Uruchom ponownie po ochłodzeniu się płyty grzewczej.

Powyższa tabela pokazuje, jak ocenić i sprawdzić powszechne usterki.

Nie wolno demontować urządzenia samodzielnie, gdyż może to doprowadzić do uszkodzenia płyty indukcyjnej.

Dane techniczne

Płyta grzewcza	CDI 30
Liczba pól grzewczych	2
Napięcie	220-240V~ 50/60Hz
Moc zainstalowana	3500 W
Wymiary Gł.×Szer.×Wys.(mm)	288X520X56
Wymiary podbudowy A×B (mm)	268X500

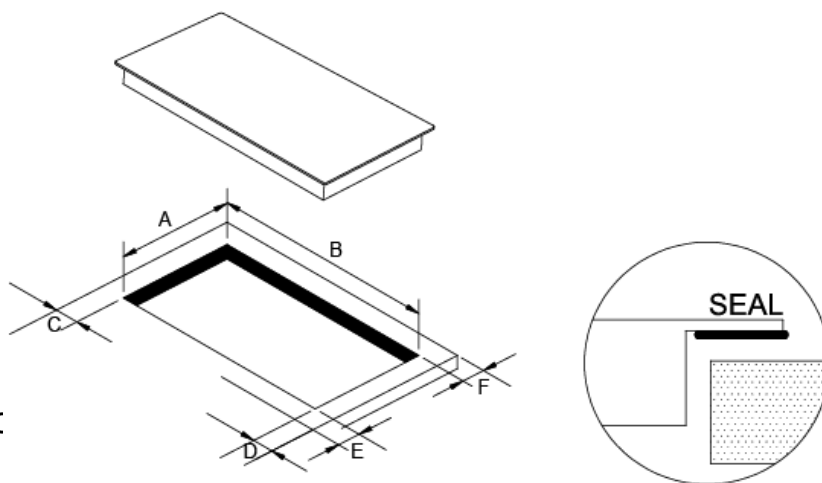
Ciężar i wymiary są przybliżone. Z uwagi na ciągłe ulepszanie naszych produktów dane techniczne i konstrukcje mogą ulec zmianie bez uprzedniego powiadomienia.

Montaż

Dobór sprzętu do montażu

Wytnij w blacie roboczym otwór o wymiarach podanych na rysunku. Ze względu na samą instalację, jak i użytkowanie, wokół otworu należy pozostawić przestrzeń około 50 mm.

Grubość blatu roboczego musi wynosić minimum 30mm. Musi być on odporny na wysoką temperaturę, aby uniknąć większych odkształceń spowodowanych rozchodzeniem się ciepła z płyty. Zostało to zilustrowane poniżej:



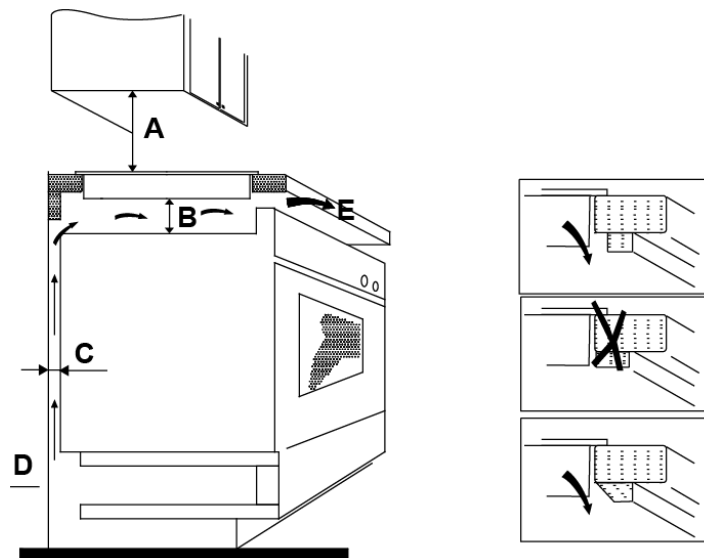
Seal = Uszczelnienie

A(mm)	B(mm)	C(mm)	D(mm)	E(mm)	F(mm)
268 ⁺⁴ ₋₀	500 ⁺⁴ ₋₀	min. 50	min. 50	min. 50	min. 50

Konieczniewie upewnij się, że płyta indukcyjna jest dobrze wentylowana, a otwory wlotowe i wylotowe nie są zablokowane. Upewnij się, że indukcyjna płyta grzewcza jest w dobrym stanie roboczym, tak jak to pokazano poniżej



Uwaga: Bezpieczny dystans pomiędzy płytą a wiszącą nad nią szafką powinien wynosić minimum **760mm**.



A(mm)	B(mm)	C(mm)	D	E
760	min. 50	min. 30	Wlot powietrza	Wylot powietrza 10 mm

Przed zainstalowaniem płyty grzewczej, upewnij się, że

- blat roboczy jest równy i wypoziomowany, i że nic nie stoi na przeszkodzie wymaganom dotyczącym wolnej przestrzeni
- blat roboczy jest wykonany z materiału odpornego na wysokie temperatury
- piekarnik, jeśli znajdzie się pod płytą, będzie miał wbudowany wentylator
- instalacja przebiegła zgodnie ze wszystkimi wymaganiami dotyczącymi odległości oraz odpowiednimi normami i przepisami
- na stałym okablowaniu został zainstalowany odpowiedni odłącznik izolacyjny zapewniający pełne odłączenie dopływu energii elektrycznej, zamontowany i umieszczony zgodnie z lokalnymi uregulowaniami i przepisami prawnymi. Odłącznik musi być odpowiedniego typu i zapewniać wolną przestrzeń minimum 3mm na wszystkich biegunach (lub na wszystkich przewodach aktywnych [fazowych], jeśli na taką zmianę zezwalają lokalne przepisy)
- zapewniono łatwy dostęp użytkownika płyty do odłącznika
- w przypadku jakichkolwiek wątpliwości, skonsultowałeś się z nadzorem budowlanym lub zapoznałeś z przepisami
- używasz nienagrzewających się i łatwych do czyszczenia wykończeń ścian wokół płyty (np. płytek ceramicznych).

Po zainstalowaniu kuchenki upewnij się, że

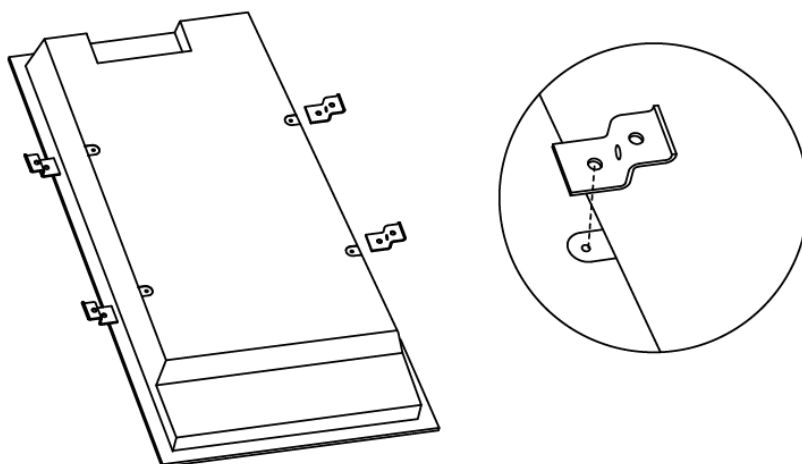
- dostęp do kabla zasilającego nie znajduje się za drzwiczkami szafki lub szufladami
- z zewnątrz zabudowy, do podstawy płyty, dochodzi wystarczająca ilość świeżego powietrza
- jeśli płyta została zainstalowana nad szufladą lub przestrzenią użytkową szafki, pod podstawą płyty należy umieścić barierę termiczną
- odłącznik jest łatwo dostępny dla użytkownika

Przed rozmieszczeniem uchwytów mocujących

Urządzenie należy umieścić na stabilnej, gładkiej powierzchni (użyj opakowania). Nie naciskaj na elementy sterujące wystające z płyty.

Ustalanie położenia uchwytów

Zamocuj płytę na blacie roboczym przy użyciu śrub dokręconych do 4 uchwytów na spodzie płyty (jak na rysunku). Dostosuj położenie uchwytów do grubości blatu roboczego.



Środki ostrożności

1. Płyta indukcyjna musi być zainstalowana przez wykwalifikowany personel lub technika. Do Państwa dyspozycji jest nasz serwis. Prosimy nie robić tego samodzielnie.
2. Płyta indukcyjna nie może być instalowana bezpośrednio nad lodówką, zamrażarką, zmywarką lub suszarką bębnową.
3. Płyta indukcyjna, aby zapewnić jej niezawodność, powinna zostać tak zainstalowana, aby umożliwić jak najlepsze oddawanie ciepła.
4. Ściana oraz strefa indukcji nad powierzchnią płyty powinny być odporne na wysokie temperatury.
5. Aby uniknąć uszkodzeń, wypełnienie blatu i kleje powinny być odporne na wysokie temperatury.

Podłączenie płyty do zasilania



Ta płyta powinna być podłączona do zasilania wyłącznie przez odpowiednio wykwalifikowaną osobę.

Przed podłączeniem płyty do instalacji elektrycznej sprawdź, czy:

1. instalacja elektryczna w mieszkaniu zapewnia moc odpowiednią dla płyty
2. napięcie odpowiada wartości wskazanej na tabliczce znamionowej
3. odcinki kabla zasilającego są w stanie wytrzymać obciążenia podane na tabliczce znamionowej.

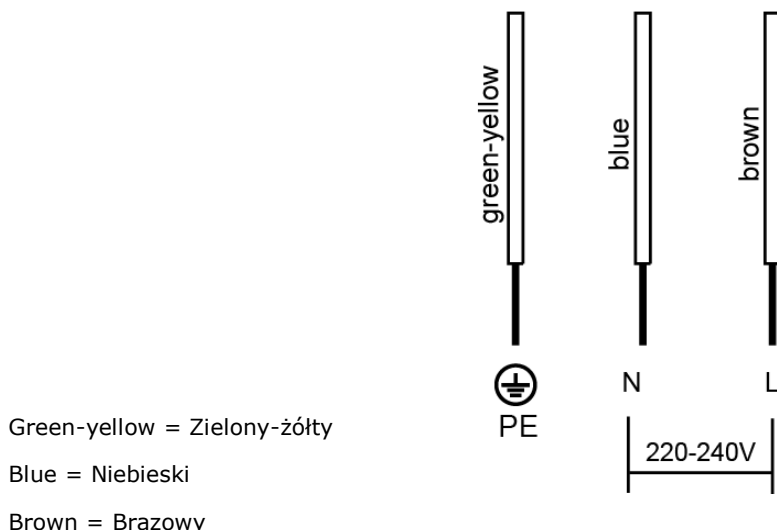
Aby podłączyć płytę do instalacji, nie należy używać adapterów, reduktorów i przedłużaczy, ponieważ mogą ulec przegrzaniu i spowodować pożar.

Kabel zasilający nie może dotykać żadnych gorących części i musi zostać umieszczony tak, aby jego temperatura nie przekraczała w żadnym punkcie 75°C.



Poproś elektryka o sprawdzenie, czy instalacja w domu wymaga jakichś modyfikacji. Wszelkie modyfikacje muszą być przeprowadzane przez wykwalifikowanego elektryka.

Zasilanie powinno być podłączone zgodnie z odpowiednią normą, lub z użyciem jednobiegunowego wyłącznika nadmiarowo-prądowego. Sposób podłączenia pokazano poniżej.



- Jeśli kabel ulegnie uszkodzeniu lub musi zostać wymieniony, operacja ta musi być przeprowadzona przez serwis posprzedażowy za pomocą odpowiednich narzędzi, aby uniknąć wypadku.
- Jeśli urządzenie jest podłączane bezpośrednio do instalacji, wówczas na obwodzie musi być zainstalowany wielobiegunowy wyłącznik z 3mm odstępem między stykami.
- Osoba instalująca musi zapewnić poprawność podłączenia elektrycznego i zgodność z przepisami bezpieczeństwa.
- Kabel nie może być zagięty lub zgnieciony.
- Kabel musi być regularnie sprawdzany i wymieniany wyłącznie przez autoryzowanego technika.
- Zielonożółty przewód kabla zasilającego jest podłączony do uziemienia po stronie zasilania i po stronie urządzenia.
- Producent nie ponosi odpowiedzialności za żadne wypadki, które wystąpią na skutek braku uziemienia urządzenia lub braku ciągłości uziemienia urządzenia.
- Jeżeli urządzenie jest wyposażone w gniazdko przyłączeniowe, należy je zainstalować w taki sposób, aby zapewnić dostępność do gniazdka.



UTYLIZACJA: Nie należy pozbywać się niniejszego urządzenia jak niesegregowanego odpadu komunalnego. Odpady tego rodzaju muszą być zbierane oddzielnie w celu poddania specjalnemu przerobowi.

To urządzenie jest oznaczone zgodnie z Dyrektywą Unii Europejskiej 2012/19/WE dotyczącą zużytego sprzętu elektrycznego i elektronicznego (WEEE). Poprzez zapewnienie, że urządzenie to jest usuwane prawidłowo, możesz zapobiec ewentualnej szkodzie wyrządzonej środowisku i zdrowiu ludzkiemu, która mogłyby ewentualnie powstać gdyby urządzenia pozbyto się w niewłaściwy sposób.

Symbol umieszczony na produkcie wskazuje, że nie można go traktować jak odpadu pochodzącego z gospodarstwa domowego. Należy oddać go do punktu zbiórki urządzeń elektrycznych i elektronicznych w celu recyklingu.

Urządzenie wymaga specjalistycznej utylizacji odpadów. W celu uzyskania dodatkowych informacji na temat utylizacji, złomowania i recyklingu niniejszego produktu należy skontaktować się z lokalnym urzędem miasta, dostawcą usług utylizacji odpadów lub sklepem, w którym został zakupiony.

W celu uzyskania dodatkowych informacji na temat utylizacji, złomowania i recyklingu niniejszego produktu należy skontaktować się z lokalnym urzędem miasta, dostawcą usług utylizacji odpadów lub sklepem, w którym produkt został zakupiony.

Wij verklaren, door het aanbrengen van de EG-markering **CE** op dit product, op onze eigen verantwoordelijkheid, dat dit product in overeenstemming is met alle Europese wettelijke voorschriften met betrekking tot de vereisten inzake veiligheid, gezondheid en milieu.

Veiligheidswaarschuwingen

Uw veiligheid is belangrijk voor ons. Lees deze informatie alstublieft voordat u uw kookplaat in gebruik neemt.

Installatie

Risico van een elektrische schok

- Koppel het apparaat los van het elektriciteitsnet voordat u welke werkzaamheden of onderhoud verricht.
- Aansluiting op een goed aardingssysteem is essentieel en verplicht.
- Wijzigingen die aangebracht worden aan het bedradingssysteem in uw huis mogen uitsluitend gemaakt worden door een gekwalificeerd elektricien.
- Het niet opvolgen van dit advies kan leiden tot een elektrische schok of de dood.

Gevaar van snijwonden

- Let op - de hoeken van de panelen zijn scherp.
- Het niet voorzichtig zijn kan leiden tot letsel of snijwonden.

Belangrijke veiligheidsaanwijzingen

- Lees deze aanwijzingen aandachtig voordat dit apparaat installeert of gebruikt.
- Leg nooit brandbaar materiaal of brandbare producten op dit apparaat.
- Breng de persoon die verantwoordelijk is voor de installatie van het apparaat op de hoogte van deze informatie, dat zou de installatiekosten kunnen beperken.
- Om een gevaarlijke situatie te voorkomen, moet dit apparaat geïnstalleerd worden volgens deze installatie-instructies.
- Dit apparaat mag uitsluitend correct geïnstalleerd en geaard worden door een gekwalificeerd persoon.
- Dit apparaat moet aangesloten worden op een circuit waarin een isolatieschakelaar is ingebouwd die volledige loskoppeling van de elektrische voeding mogelijk maakt.
- Het niet correct installeren van het apparaat maakt de garantie of aansprakelijkheidsclaims ongeldig.

Werking en onderhoud

Risico van een elektrische schok

- Bereid geen gerechten op een gebroken of gebarsten oppervlak van de kookplaat. Als de kookplaat zou breken of barsten, het apparaat onmiddellijk uitschakelen met de hoofdschakelaar en contact opnemen met een gekwalificeerd technicus.

- Schakel het apparaat uit met de hoofdschakelaar voordat u reinigings- of onderhoudswerkzaamheden verricht.
- Het niet opvolgen van dit advies kan leiden tot een elektrische schok of de dood.

Gevaar voor de gezondheid

- Dit apparaat voldoet aan de elektromagnetische veiligheidsnormen.
- Echter, mensen met pacemakers of andere elektrische implantaten (zoals insulinepompen) moeten hun arts of chirurg raadplegen voordat ze dit apparaat in gebruik nemen, om er zeker van te zijn dat het elektromagnetische veld niet van invloed is op hun implantaten.
- Het niet opvolgen van dit advies kan leiden tot de dood.

Gevaar door een heet oppervlak

- Tijdens het gebruik worden toegankelijke delen van dit apparaat voldoende heet om brandwonden te veroorzaken.
- Laat uw lichaam, kleding of welk ander voorwerp dat geen geschikt kookgerei is in contact komen met de glazen inductieplaat tot het oppervlak is afgekoeld.
- Let op: metalen voorwerpen die gemagnetiseerd kunnen worden en op het lichaam worden gedragen worden heet in de buurt van de kookplaat. Dit is niet van toepassing op gouden of zilveren juwelen.
- Houd kinderen uit de buurt.
- Handgrepen van pannen kunnen ook te heet zijn om aan te raken. Controleer of handgrepen van pannen niet over andere ingeschakelde kookzones reiken. Houd handgrepen uit de buurt van kinderen.
- Het niet opvolgen van dit advies kan leiden tot brandwonden en verbrandingen.

Gevaar van snijwonden

- Het messcherpe blad van een schraper voor kookplaatoppervlakken wordt blootgesteld als de afdekking wordt verwijderd. Gebruik de schraper uiterst voorzichtig en berg hem altijd veilig en uit de buurt van kinderen op.
- Het niet voorzichtig zijn kan leiden tot letsel of snijwonden.

Belangrijke veiligheidsaanwijzingen

- Laat het apparaat nooit zonder toezicht achter als het in gebruik is. Het overkoken van voedsel veroorzaakt rokerige en vette vlekken die in brand kunnen vliegen.
- Gebruik uw apparaat nooit als werk- of opbergoppervlak.
- Laat nooit voorwerpen of keukengerei op het apparaat liggen.
- Leg geen objecten die gemagnetiseerd kunnen worden (bijv. credit cards, geheugenkaarten) of elektronische apparaten (bijv. computers, MP3-spelers) in de buurt van het apparaat, deze kunnen beïnvloed worden door het magnetische veld van de kookplaat.
- Gebruik uw apparaat nooit om de kamer te verwarmen.
- Schakel de kookzones en de kookplaat na gebruik altijd uit, zoals beschreven in deze handleiding (bijv. met behulp van de aanraaktoetsen). Vertrouw niet op de pandetectiefunctie om de kookzones uit te schakelen wanneer u de pannen verwijdert.

- Laat kinderen niet met het apparaat spelen of er op zitten, staan of klimmen.
- Bewaar geen voorwerpen die interessant zijn voor kinderen in de kastjes boven het apparaat. Kinderen die op de kookplaat klimmen kunnen ernstig letsel oplopen.
- Laat kinderen niet alleen of zonder toezicht in de zone waar het apparaat in gebruik is.
- Kinderen of personen met een beperking die van invloed is op hun vermogen om het apparaat te gebruiken zouden van een verantwoordelijke en competente persoon moeten leren hoe het apparaat gebruikt moet worden. Deze persoon moet zeker weten dat zij het apparaat kunnen gebruiken zonder gevaar voor henzelf of hun omgeving.
- Repareer of vervang geen enkel onderdeel van het apparaat tenzij dit speciaal wordt aanbevolen in de handleiding. Al het andere onderhoud moet uitgevoerd worden door een gekwalificeerde technicus.
- Gebruik geen stoomreiniger om uw kookplaat te reinigen.
- Leg geen zware voorwerpen op uw kookplaat en laat ze er niet op vallen.
- Ga niet op uw kookplaat staan.
- Gebruik geen pannen met scherpe randen of schuif geen pannen over het glazen inductie-oppervlak, dan kunnen er krassen op het glas komen.
- Gebruik geen schuursponsjes of andere ruwe schurende reinigingsmiddelen, deze kunnen krassen op het glazen inductie-oppervlak veroorzaken.
- Als de stroomkabel is beschadigd, mag deze alleen vervangen worden door een gekwalificeerd technicus.
- Dit apparaat is uitsluitend bedoeld voor huishoudelijk gebruik.
- Dit apparaat mag gebruikt worden door kinderen ouder dan 8 jaar en personen met een lichamelijke, zintuiglijke of verstandelijke beperking of gebrek aan ervaring en kennis als zij in de gaten gehouden worden of aanwijzingen hebben gekregen over hoe zij het apparaat op veilige wijze kunnen gebruiken en als zij de bijbehorende gevaren begrijpen. Kinderen mogen niet met het apparaat spelen. Reiniging en onderhoudswerkzaamheden mogen niet door kinderen uitgevoerd worden als zij niet onder toezicht staan.
- **WAARSCHUWING:** Bereidingen op een kookplaat met vet of olie zonder toezicht kunnen gevaarlijk zijn en brand veroorzaken. Probeer NOOIT een brand te blussen met water, maar schakel het apparaat uit en dek de vlam af bijv. met een deksel of een branddeken.
- Metalen voorwerpen zoals messen, vorken, lepels en deksels mogen niet op de kookplaat gelegd worden want deze kunnen heet worden.
- Schakel, na gebruik, de kookplaat uit met de bedieningstoetsen en vertrouw niet op de pandetector.
- Het apparaat is niet bedoeld om bediend te worden door middel van een externe timer of een apart afstandsbedieningssysteem.

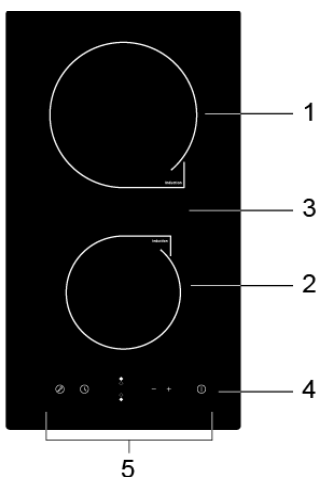
Gefeliciteerd met de aanschaf van uw nieuwe Inductiekookplaat.
Wij adviseren u wat tijd te besteden aan het lezen van deze Handleiding voor Installatie / Gebruik zodat u volledig begrijpt hoe u de kookplaat correct kunt installeren en bedienen.

Lees het installatiegedeelte voor de installatie.

Lees alle veiligheidsaanwijzingen aandachtig door voordat u de kookplaat in gebruik neemt en bewaar deze Handleiding zodat u hem in de toekomst nog eens kunt raadplegen.

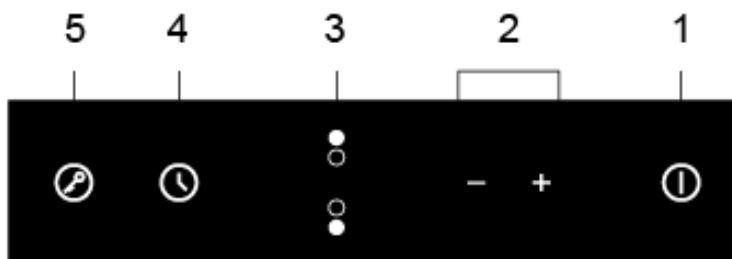
Productoverzicht

Bovenaanzicht



1. Zone max. 2000 W
2. Zone max. 1500 W
3. Glasplaat
4. Bedieningstoets AAN/UIT
5. Bedieningspaneel

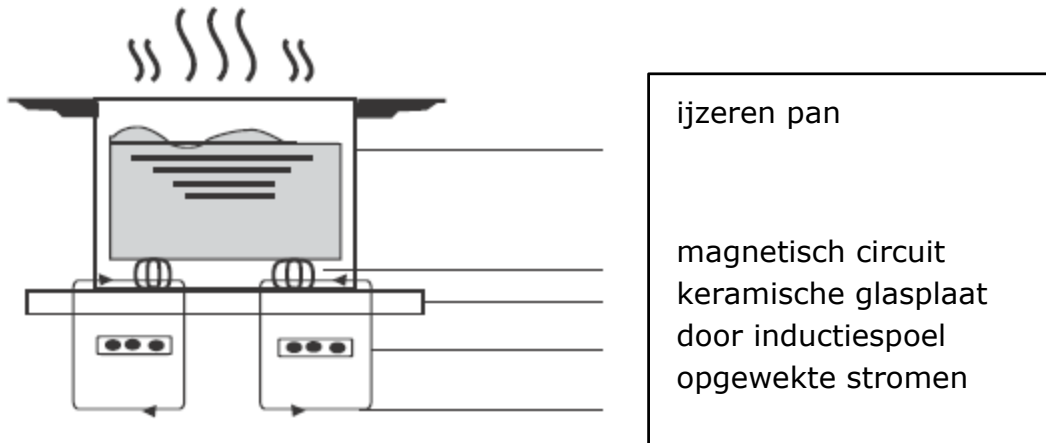
Bedieningspaneel



1. Bedieningstoets AAN/UIT
2. Bedieningstoetsen regeling Vermogen / Timer
3. Bedieningstoetsen selectie kookzone
4. Bedieningstoets Timer
5. Toetsenvergrendeling (Kinderslot)

Informatie over bereiding op Inductie

Bereiding op inductie is een veilige, geavanceerde, efficiënte en economische bereidingstechnologie. Het werkt op elektromagnetische trillingen die rechtstreeks warmte in de pan genereren, in plaats van indirect via het glazen oppervlak. Het glas wordt alleen heet omdat de pan het eventueel opwarmt.

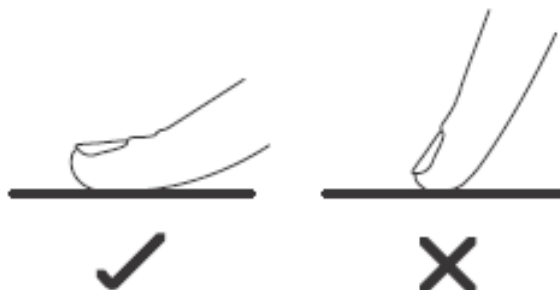


Voordat u uw Nieuwe Inductiekookplaat in gebruik neemt

- Lees deze handleiding, let met name op het deel "Veiligheidswaarschuwingen".
- Verwijder eventuele beschermfolie die nog op uw inductiekookplaat aanwezig is.

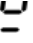
Het gebruik van de aanraaktoetsen

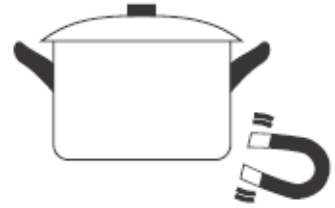
- De bedieningstoetsen reageren op aanraking, u hoeft dus geen enkele druk uit te oefenen.
- Gebruik de bal van uw vinger en niet het topje.
- Elke keer als er een aanraking gedetecteerd wordt, klinkt er een piepje.
- Zorg ervoor dat de bedieningstoetsen altijd schoon en droog zijn, en dat ze niet bedekt worden door een voorwerp (bijv. keukengerei of een doek). Zelfs een dun laagje water kan de bedieningstoetsen moeilijk te bedienen maken.



Keuze van het juiste kookgerei



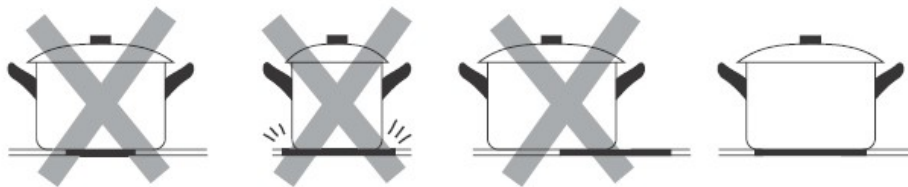
- Gebruik uitsluitend kookgerei met een onderkant die geschikt is voor bereiding met inductie. Zoek naar het inductiesymbool op de verpakking of op de bodem van de pan.
- U kunt controleren of uw kookgerei geschikt is voor inductie door een magnetische test uit te voeren. Beweeg een magneet over de onderkant van de pan. Als de magneet wordt aangetrokken, dan is de pan geschikt voor inductie.
- Als u geen magneet hebt:
 1. Giet wat water in de pan die u wilt controleren.
 2. Als  niet gaat knippen en het water warm wordt, dan is de pan geschikt.
- Kookgerei gemaakt van de volgende materialen is niet geschikt: zuiver roestvrij staal, aluminium of messing zonder magnetische bodem, glas, hout, porselein, keramiek en aardewerk.



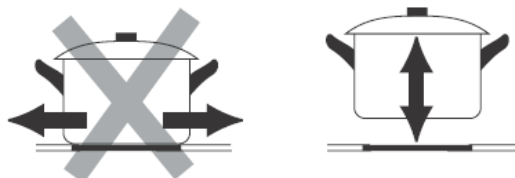
Gebruik geen kookgerei met scherpe randen of een gebogen bodem.



Controleer of de bodem van uw pan glad is en plat tegen het glas, en even groot is als de kookzone. Gebruik pannen waarvan de doorsnede even groot is als de grafiek van de gekozen zone. Bij het gebruik van een pan die iets groter is zal de energie op maximale efficiëntie gebruikt worden. Als u een kleinere pan gebruikt, kan de energie minder zijn dan verwacht. Een pan met een doorsnede van minder dan 140 mm kan mogelijk niet door de kookplaat herkend worden. Zet de pan altijd in het midden van de kookzone.



Til pannen altijd op van de inductiekookplaat – verschuif ze niet want dat kan krassen op het glas veroorzaken.

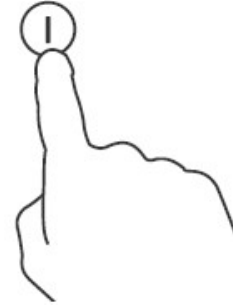


Het gebruik van uw Inductiekookplaat

De bereiding beginnen

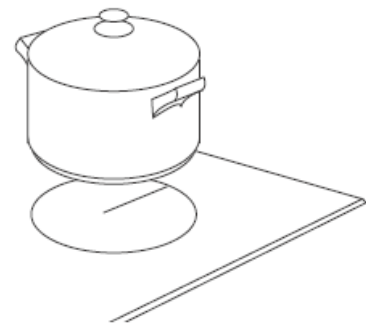
1. Raak de bedieningstoets AAN/UIT aan.

Na inschakeling klinkt de zoemer éénmaal, op het display wordt " - " of " - - " weergegeven, dit betekent dat de inductiekookplaat in stand-by staat.



2. Zet een geschikte pan op de kookzone die u wilt gebruiken.

- Controleer of de bodem van de pan en het oppervlak van de kookzone schoon en droog zijn.



3. Wanneer de selectietoets voor de kookzone wordt aangeraakt, gaat er een lampje op de toets knipperen.



4. Selecteer een warmte-instelling door de bedieningstoets "- " of "+ " aan te raken.

- Als u binnen 1 minuut geen warmte-instelling kiest, wordt de inductiekookplaat automatisch uitgeschakeld. Dan moet u weer vanaf stap 1 beginnen.



- U kunt tijdens de bereiding te allen tijde de warmte-instelling veranderen.

Als op het display afwisselend knippert met de warmte-instelling

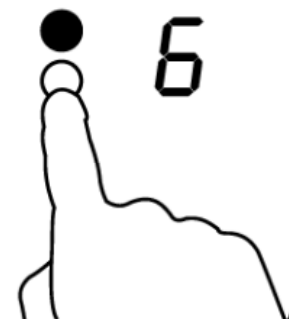
Betekent dit dat:

- u geen pan op de juiste kookzone gezet hebt of,
- dat de pan die u gebruikt niet geschikt is voor bereiding met inductie of,
- dat de pan te klein is of niet goed in het midden van de kookzone is gezet.

Als er geen geschikte pan op de kookzone is gezet, wordt de zone niet warm. Het display zal na 2 minuten automatisch worden uitgeschakeld als er geen geschikt pan op de kookzone is gezet.

Na afloop van de bereiding

1. Raak de selectietoets voor de kookzone die u uit wilt schakelen aan.



2. Schakel de kookzone uit door omlaag te scrollen naar "0" of door "-" en "+" tegelijk aan te raken. Controleer of op het display "0" wordt weergegeven.



3. Schakel de hele kookplaat uit door de bedieningstoets AAN/UIT aan te raken.



4. Let op hete oppervlakken

H geeft aan welke kookzone te heet is om aan te raken. Deze verdwijnt wanneer de kookzone is afgekoeld tot een veilige temperatuur. Deze functie kan ook gebruikt worden om energie te besparen als u een andere pan wilt verwarmen kunt u de kookzone die nog heet is gebruiken.



De bedieningstoetsen vergrendelen

- U kunt de bedieningstoetsen vergrendelen om onbedoeld gebruik te voorkomen (bijvoorbeeld kinderen die per ongeluk de kookzones inschakelen).
- Wanneer de bedieningstoetsen vergrendeld zijn, zijn ze allemaal uitgeschakeld, behalve de toets AAN/UIT.

De bedieningstoetsen vergrendelen

Raak de toets toetsenvergrendeling aan. Op de timer wordt "Lo" weergegeven

De bedieningstoetsen ontgrendelen

1. Raak de toetsenvergrendeling even aan.
2. Nu kunt u uw inductiekookplaat gaan gebruiken.



Wanneer de toetsen van de kookplaat vergrendeld zijn, zijn alle bedieningstoetsen uitgeschakeld behalve de toets AAN/UIT, u kunt in een noodgeval de inductiekookplaat altijd uitschakelen met de toets AAN/UIT, maar om de kookplaat weer in werking te stellen moet u de toetsen eerst ontgrendelen.

Beveiliging tegen te hoge temperatuur

Een ingebouwde temperatuursensor bewaakt de temperatuur binnenin de inductiekookplaat. Wanneer er een te hoge temperatuur gedetecteerd wordt, wordt de inductiekookplaat automatisch uitgeschakeld.

Detectie van kleine voorwerpen

Wanneer er een ongeschikte of niet-magnetische pan (bijv. aluminium) gebruikt wordt, of er ligt een ander klein voorwerp (bijv. mes, vork, sleutel) op de kookplaat, wordt de zone binnen 1 minuut automatisch in stand-by gezet. De ventilator blijft de inductiekookplaat nog een minuut langer afkoelen.

Beveiliging door automatische uitschakeling

Automatische uitschakeling is een beveiligingsfunctie voor uw inductiekookplaat. De kookplaat wordt automatisch uitgeschakeld als u hem vergeet uit te schakelen na de bereiding. De standaard tijdsduren voor de verschillende vermogensniveaus zijn in onderstaande tabel vermeld:

Vermogensniveau	1	2	3	4	5	6	7	8	9
Standaard bedrijfsduur (uur)	8	8	8	4	4	4	2	2	2

Wanneer de pan wordt verwijderd, stopt de inductiekookplaat onmiddellijk te verwarmen en wordt na 2 minuten automatisch uitgeschakeld.



Mensen met een pacemaker moeten hun arts raadplegen alvorens dit apparaat te gebruiken.

Het gebruik van de Timer

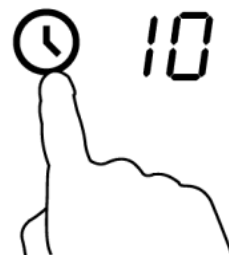
U kunt de timer op twee verschillende manieren gebruiken:

- U kunt hem gebruiken als kookwekker. In dat geval zal de timer geen enkele kookzone uitschakelen nadat de tijdsduur is verlopen.
- U kunt hem ook zodanig instellen dat één kookzone, nadat de tijd is verstreken, uitgeschakeld wordt.
- U kunt een tijdsduur van maximaal 99 minuten instellen.

Het gebruik van de Timer als Kookwekker

Als u geen enkele kookzone selecteert

1. Controleer of de kookplaat is ingeschakeld.
Opmerking: u kunt de kookwekker ook gebruiken als u geen enkele kookzone geselecteerd heeft.
2. Raak de bedieningstoets van de timer aan, de kookwekker begint te knipperen en op het display van de timer wordt "10" weergegeven.



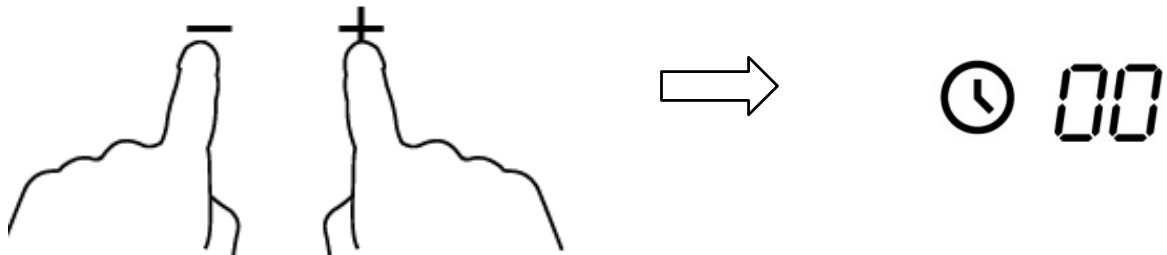
3. Stel de tijdsduur in door de toets "-" of "+" van de timer aan te raken.

Tip: Raak de toets "-" of "+" van de timer eenmaal aan om de tijdsduur met 1 minuut te verlengen of te verkorten.

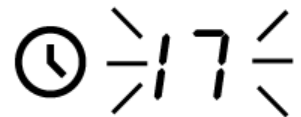
Blijf de toets "-" of "+" van de timer aanraken om de tijdsduur met 10 minuten te verlengen of te verkorten.

Als de ingestelde tijdsduur de 99 minuten overschrijdt, keert de timer automatisch terug naar 00 minuten.

4. Als de toetsen "-" en "+" tegelijk worden aangeraakt, wordt de instelling geannuleerd en wordt "00" op het display van de timer weergegeven.



5. Zodra de tijd is ingesteld, begint deze onmiddellijk af te tellen. Op het display wordt de resterende tijd weergegeven en knippert het lampje van de timer gedurende 5 seconden.

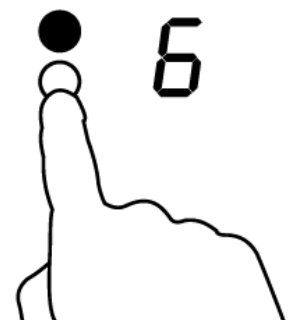


6. De zoemer piept gedurende 30 seconden en op de timer wordt "--" weergegeven wanneer de ingestelde tijd verstreken is.

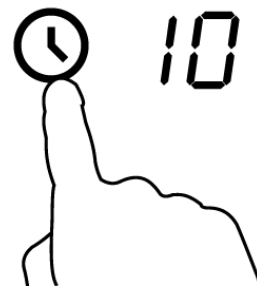


De timer instellen om een kookzone uit te schakelen

1. Raak de selectietoets voor de kookzone aan waarvoor u de timer wilt instellen.



2. Raak de bedieningstoets van de timer aan, de kookwekker begint te knipperen en op het display van de timer wordt "10" weergegeven.



3. Stel de tijdsduur in door de toets "-" of "+" van de timer aan te raken.

Tip: Raak de toets "-" of "+" van de timer eenmaal aan, de tijdsduur wordt met 1 minuut verlengd of verkort. Blijf de toets "-" of "+" van de timer aanraken, de tijdsduur wordt met 10 minuten verlengd of verkort.

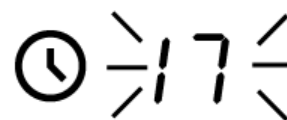


Als de ingestelde tijdsduur de 99 minuten overschrijdt, keert de timer automatisch terug naar 00 minuten.

4. Als de toetsen "-" en "+" tegelijk worden aangeraakt, wordt de instelling geannuleerd en wordt "00" op het display van de timer weergegeven.



5. Zodra de tijd is ingesteld, begint deze onmiddellijk af te tellen. Op het display wordt de resterende tijd weergegeven en het lampje van de timer knippert gedurende 5 seconden.



OPMERKING: De rode stip naast het lampje voor het vermogensniveau gaat branden om aan te geven dat de zone is geselecteerd.



6. Wanneer de ingestelde tijd verstreken is, wordt de bijbehorende kookzone automatisch uitgeschakeld.



Als er eerder andere kookzones zijn ingeschakeld, dan blijven deze werken.

Richtlijnen voor de bereiding



Wees voorzichtig bij het bakken want olie en vet worden heel snel heet, met name als u gebruik maakt van PowerBoost. Op uiterst hoge temperaturen kunnen olie en vet spontaan in brand vliegen en dit vormt een ernstig risico op brand.

Bereidingstips

- Wanneer het voedsel gaat koken, verlaag dan de temperatuurinstelling.
- Het gebruik van een deksel verkort de bereidingstijden en besparen energie door de warmte vast te houden.
- Minimaliseer de hoeveelheid vocht of vet om de bereidingstijden te verkorten.
- Begin de bereiding op een hoge instelling en verlaag de instelling zodra het voedsel is doorverwarmd.

Rijst koken

- Sudderan vindt plaats onder het kookpunt, op ongeveer 85°C, wanneer luchtbelletjes zo nu en dan naar de oppervlakte van de kokende vloeistof komen. Het is de sleutel tot verrukkelijke soepen en malse stoofschotels omdat de smaken zich ontwikkelen zonder dat het voedsel overkookt. Het wordt ook aanbevolen op eieren gebaseerde en met bloem aangedikte sauzen te bereiden onder het kookpunt.
- Sommige bereidingen, met inbegrip van het koken van rijst met de absorptiemethode, kunnen een hogere instelling vereisen om te garanderen dat het voedsel goed bereid wordt binnen de aanbevolen tijd.

Biefstuk aanbraden

Om sappige, smaakvolle biefstukken te bakken:

1. Laat het vlees ongeveer 20 minuten op kamertemperatuur staan alvorens het te bereiden.
2. Verhit een bakpan met een zware bodem.
3. Vet beide kanten van de biefstuk in met wat olie. Giet een kleine hoeveelheid olie in de hete pan en leg het vlees in de hete pan.

4. Draai de biefstuk tijdens de bereiding slechts één keer om. De exacte bereidingstijd hangt af van de dikte van de biefstuk en hoe gaar u hem wilt hebben. De tijdsduur kan variëren van 2 – 8 minuten per kant. Druk op de biefstuk om te meten hoe gaar hij is – hoe steviger hij aanvoelt, des te “gaarder” hij zal zijn.
5. Laat de biefstuk enkele minuten op een warm bord rusten zodat hij mals kan worden voordat hij geserveerd wordt.

Roerbakken

1. Kies een wok met een platte bodem die geschikt is voor inductie of een grote braadpan.
2. Zorg ervoor dat alle ingrediënten en kookgerei klaar staan. Roerbakken moet snel gebeuren. Als u grote hoeveelheden wilt bereiden, bereid het voedsel dan in verschillende kleinere porties.
3. Verhit de pan kort voor en voeg twee eetlepels olie toe.
4. Bereid eerst het vlees, leg het apart en houd het warm.
5. Roerbak de groenten. Wanneer ze warm maar nog knapperig zijn, de kookzone op een lagere instelling zetten, leg het vlees terug in de pan en voeg uw saus toe.
6. Roer de groenten voorzichtig om, om er zeker van te zijn dat ze goed zijn doorgewarmd.
7. Onmiddellijk serveren.

Warmte-instellingen

Onderstaande instellingen zijn uitsluitend bedoeld als richtlijnen. De exacte instelling hangt af van verschillende factoren, met inbegrip van uw kookgerei en de hoeveelheid voedsel die u bereidt. Experimenteer met de inductiekookplaat om de instellingen te vinden die het beste bij u passen.

Warmte-instelling	Geschiktheid
1 - 2	<ul style="list-style-type: none"> • behoedzaam opwarmen van kleine hoeveelheden voedsel • chocolade, boter smelten en voedsel dat snel aanbrandt bereiden • zachtjes sudderen • langzaam verwarmen
3 - 4	<ul style="list-style-type: none"> • opwarmen • snel sudderen • rijst koken
5 - 6	<ul style="list-style-type: none"> • pannenkoeken
7 - 8	<ul style="list-style-type: none"> • sauteren • pasta koken
9	<ul style="list-style-type: none"> • roerbakken • sudderen • soep aan de kook brengen • water koken


Onderhoud en reiniging

Onderstaande instellingen zijn uitsluitend bedoeld als richtlijnen. De exacte instelling hangt af van verschillende factoren, met inbegrip van uw kookgerei en de hoeveelheid voedsel die u bereidt. Experimenteer met de kookplaat om de instellingen te vinden die het beste bij u passen.

Wat?	Hoe?	Belangrijk!
Dagelijks vuil op de glasplaat (vingerafdrukken, sporen, vlekken achtergelaten door levensmiddelen of het overkoken van niet zoete vloeistoffen op de glasplaat)	<ol style="list-style-type: none"> 1. Schakel de elektrische stroom naar de kookplaat uit. 2. Gebruik een reiniger voor kookplaten terwijl het glas nog warm (maar niet heet!) is! 3. Afspoelen en afdrogen met een schone doek of keukenpapier. 4. Schakel de elektrische stroom naar de kookplaat weer in. 	<ul style="list-style-type: none"> • Als de elektrische stroom naar de kookplaat is onderbroken, wordt er geen indicatie "heet oppervlak" weergegeven maar de kookzone kan nog wel heet zijn! Wees uiterst voorzichtig. • Sommige reinigingsartikelen voor zwaar gebruik, bepaalde nylon sponsjes en ruwe/schurende reinigingsmiddelen kunnen krassen op het glas veroorzaken. Lees altijd het etiket om te controleren of uw reinigingsmiddel of sponsje geschikt is. • Laat nooit resten van reinigingsmiddel achter op de kookplaat: dat kan vlekken veroorzaken.
Overgekookt voedsel, gesmolten resten en hete zoethoudende vlekken op de glasplaat	<p>Verwijder deze onmiddellijk met een scherp mes, paletmes of krabber die geschikt is voor inductiekookplaten van glas, maar let op hete oppervlakken van de kookzones:</p> <ol style="list-style-type: none"> 1. Schakel de elektrische stroom naar de kookplaat uit door de stekker uit de wandcontactdoos te trekken. 2. Houd de schraper of het gereedschap in een hoek van 30° en schraap het vuil naar een koude zone van de kookplaat. 3. Verwijder het vuil met een theedoek of keukenpapier. 4. Volg stappen 2 tot 4 voor het hierboven beschreven verwijderen "Dagelijks vuil op de glasplaat". 	<ul style="list-style-type: none"> • Verwijder vlekken van gesmolten en suikerhoudend voedsel zo snel mogelijk. Als u deze laat afkoelen op de glasplaat, kunnen ze moeilijk te verwijderen zijn of zelfs permanente schade toebrengen aan het glazen oppervlak. • Gevaar van snijwonden: als de veiligheidsafdekking verwijderd is, is het blad van een schraper messcherp. Gebruik de schraper uiterst voorzichtig en berg hem altijd veilig en uit de buurt van kinderen op.
Overgekookt voedsel op de aanraaktoetsen	<ol style="list-style-type: none"> 1. Schakel de elektrische stroom naar de kookplaat uit. 2. Laat het vuil weken 3. Veeg de zone van de aanraaktoetsen schoon met een schone vochtige spons of doek. 4. Veeg de zone volledig droog met keukenpapier. 5. Schakel de elektrische stroom naar de kookplaat weer in. 	<ul style="list-style-type: none"> • De kookplaat kan een piep laten horen en uitgeschakeld worden en de aanraaktoetsen kunnen niet werken als er vloeistof op ligt. Verzeker u ervan dat de zone met de aanraaktoetsen goed droog is voordat u de kookplaat weer inschakelt.

Adviezen en tips

Probleem	Mogelijke oorzaken	Oplossingen
De inductiekookplaat kan niet ingeschakeld worden.	Er is geen elektrische stroom.	Controleer of de inductiekookplaat is aangesloten op het elektriciteitsnet en dat hij is ingeschakeld. Controleer of er stroomuitval in uw huis of omgeving is. Als u alles gecontroleerd hebt en het probleem aanhoudt, een gekwalificeerd technicus bellen.
De aanraaktoetsen reageren niet.	De toetsen zijn vergrendeld.	Ontgrendel de toetsen. Zie deel "Het gebruik van uw inductiekookplaat" voor aanwijzingen.
De aanraaktoetsen zijn moeilijk te bedienen.	Misschien ligt er een dun laagje water op de toetsen of misschien gebruikt u het topje van uw vinger om de toetsen aan te raken.	Controleer of de zone van de aanraaktoetsen droog is en gebruik de bal van uw vinger om de toetsen aan te raken.
Er zitten krassen op de glasplaat.	Kookgerei met scherpe randen. Ongeschikt schuursponsje of verkeerde reinigingsproducten gebruikt.	Gebruik kookgerei met vlakke en gladde bodems. Zie "Het kiezen van het juiste kookgerei". Zie "Onderhoud en reiniging".
Sommige pannen maken krakende of klikkende geluiden.	Dit kan veroorzaakt worden door de constructie van uw kookgerei (lagen van verschillende materialen met verschillende trillingen).	Dit is normaal voor kookgerei en duidt niet op een storing.
De inductiekookplaat maakt een laag brommend geluid wanneer hij gebruikt wordt met een hoge warmte-instelling.	Dit wordt veroorzaakt door de technologie van bereiden met inductie.	Dit is normaal, maar het geluid zou minder moeten worden of volledig verdwijnen als u een lagere warmte instelt.
Lawaai van een ventilator afkomstig van de inductiekookplaat.	Een in uw inductiekookplaat ingebouwde ventilator is in werking getreden om te voorkomen dat de elektronica oververhit raakt. De ventilator kan zelfs door blijven werken nadat u de inductiekookplaat hebt uitgeschakeld.	Dit is normaal en er is geen actie noodzakelijk. Trek de stekker van de inductiekookplaat niet uit de wandcontactdoos terwijl de ventilator werkt.

Pannen worden niet heet en  verschijnt op het display.	De inductiekookplaat detecteert de pan niet omdat hij niet geschikt is voor bereidingen met inductie. De inductiekookplaat detecteert de pan niet omdat hij te klein is voor de kookzone of niet goed in het midden van de kookzone is geplaatst.	Gebruik kookgerei dat geschikt is voor bereidingen met inductie. Zie deel "Het kiezen van het juiste kookgerei". Zet de pan goed in het midden en controleer of de bodem overeenkomt met de afmetingen van de kookzone.
De inductiekookplaat of een kookzone is onverwacht uitgeschakeld, er klinkt een geluidssignaal en er wordt een storingscode weergegeven (normaal afgewisseld met twee letters op het display van de timer).	Technische storing.	Noteer de letters en cijfers van de storingscode, trek de stekker van de inductiekookplaat uit de wandcontactdoos en neem contact op met een gekwalificeerd technicus.

Probeer nooit de kookplaat zelf uit elkaar te halen.

Weergave storingen en inspectie

Als zich een storing voordoet, wordt de inductiekookplaat automatisch in de beveiligde status gezet en worden de bijbehorende codes weergegeven:

Probleem	Mogelijke oorzaken	Oplossingen
F3-F8	Storing temperatuursensor	Neem contact op met de leverancier.
F9-FE	Storing temperatuursensor van de IGBT.	Neem contact op met de leverancier.
E1/E2	Abnormale voedingsspanning	Controleer of de elektrische voeding normaal is. Schakel weer in als de elektrische voeding weer normaal is.
E3/E4	Abnormale temperatuur	Inspecteer de pan.
E5/E6	Slechte hittestraaling van de inductiekookplaat	Schakel de inductiekookplaat weer in nadat hij is afgekoeld.

Hierboven is de beoordeling en inspectie van veel voorkomende storingen weergegeven.

Haal het apparaat niet zelf uit elkaar en vermijd elk gevaar en schade aan de inductiekookplaat.

Technische specificatie

Kookplaat		CDI 30
Bereidingszones		2 zones
Voedingsspanning		220-240V~ 50/60Hz
Geïnstalleerd elektrisch vermogen		3500 W
Productafmeting	L×B×H(mm)	288X520X56
Inbouwafmetingen	A×B (mm)	268X500

Gewicht en afmetingen zijn bij benadering. Omdat wij er voortdurend naar streven onze producten te verbeteren kunnen wij specificaties en tekeningen wijzigen zonder voorafgaande aankondiging.

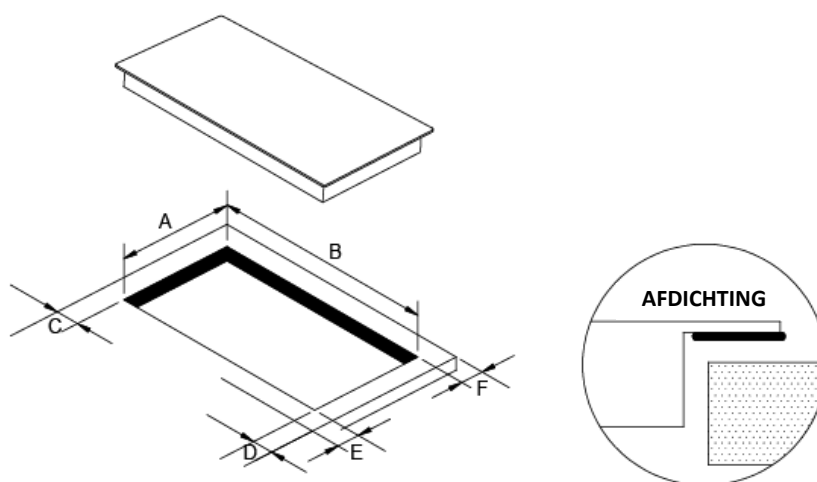
Installatie

Selectie van installatiegereedschappen

Snijd een opening in het werkblad in overeenstemming met de afmetingen aangegeven op de tekening.

Voor de installatie en het gebruik moet er minstens 5 cm ruimte vrij gelaten worden rond de opening.

Controleer of de dikte van het werkblad minstens 30 mm is. Selecteer een werkblad van hittebestendig materiaal om vervorming veroorzaakt door de hittestraling van de kookplaat te voorkomen. Zoals hieronder is aangegeven:

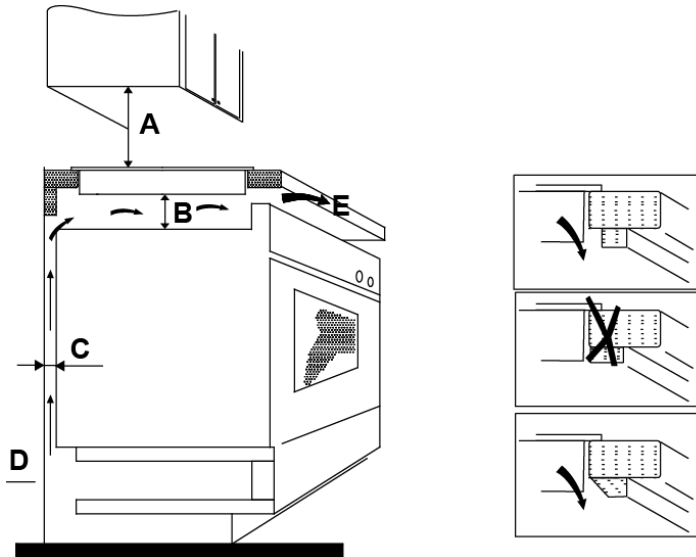


A (mm)	B (mm)	C (mm)	D (mm)	E (mm)	F (mm)
268+4 -0	500+4 -0	50 min	50 min	50 min	50 min

Zorg er onder alle omstandigheden voor dat de inductiekookplaat goed geventileerd wordt en dat de luchtinlaat- en uitlaatopeningen niet geblokkeerd zijn. Controleer of de inductiekookplaat goed werkt. Zoals hieronder is aangegeven



Opmerking: De veiligheidsafstand tussen de kookplaat en het kastje erboven dient minstens 760 mm te zijn.



A (mm)	B (mm)	C (mm)	D	E
760	50 min	30 min	Luchtinlaat	Luchtuitlaat 10 mm

Controleer, voordat u de kookplaat installeert, dat

- het werkoppervlak vierkant en waterpas is, en dat er geen structurele onderdelen interfereren met de ruimtevereisten
- het werkoppervlak gemaakt is van hittebestendig materiaal
- als de kookplaat boven een oven geïnstalleerd wordt, dat de oven een ingebouwde koelventilator heeft
- de installatie moet voldoen aan alle ruimtevereisten en alle voorschriften en normen die van toepassing zijn
- er een geschikte isolatieschakelaar in de permanente bedrading is ingebouwd die volledige loskoppeling van de netvoeding mogelijk maakt, gemonteerd en geplaatst in overeenstemming met de plaatselijke bedradingsvoorschriften en regels

De isolatieschakelaar moet van een goedgekeurd type zijn en voorzien zijn van een opening tussen de contacten van 3 mm in alle polen (of in alle actieve [fase-] geleiders als de plaatselijke bedradingsvoorschriften deze variatie op de vereisten toestaan).

- de isolatieschakelaar moet gemakkelijk toegankelijk zijn voor de klant bij wie de kookplaat geïnstalleerd wordt
- raadpleeg plaatselijke bouwinstanties en wettelijke voorschriften als u twijfels heeft over de installatie
- gebruik hittebestendige en gemakkelijk te reinigen afwerkingen (zoals keramische tegels) voor de wandoppervlakken rond de kookplaat.

Controleer, nadat u de kookplaat geïnstalleerd hebt, dat

- de voedingskabel niet toegankelijk is via deurtjes of laden van kasten
- er voldoende frisse lucht van buiten de kasten naar de onderkant van de kookplaat kan stromen
- als de kookplaat boven en lade of een kastje gemonteerd is, er een thermische beveiligingsplaat geïnstalleerd is aan de onderkant van de kookplaat
- de isolatieschakelaar gemakkelijk te bereiken is door de klant.

Voordat de bevestigingsbeugels geplaatst worden

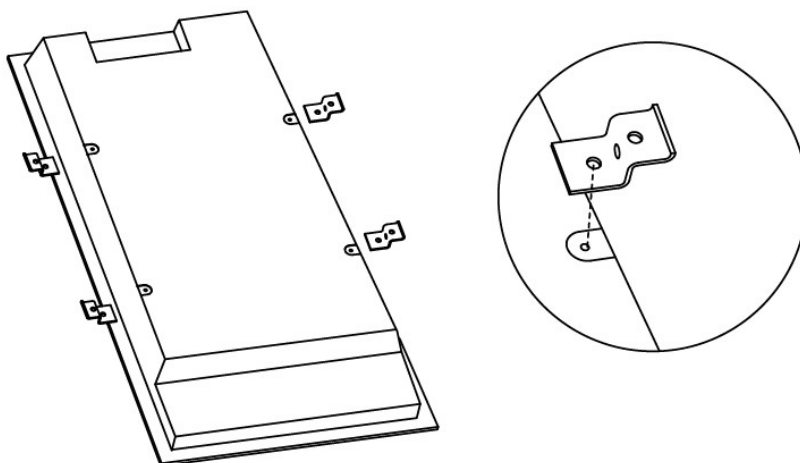
Het apparaat moet op een stabiel, vlak oppervlak gezet worden (gebruik de verpakking).

Oefen geen kracht uit op de bedieningselementen die uit de kookplaat steken.

De stand van de beugel afstellen

Bevestig de kookplaat op het werkblad door 4 beugels vast te schroeven op de onderkant van de kookplaat (zie afbeelding) na de installatie.

Pas de stand van de beugels aan de verschillende diktes van het werkblad aan.



Voorzichtig

1. De inductiekookplaat moet geïnstalleerd worden door gekwalificeerd personeel of technici. Wij hebben deskundigen voor u ter beschikking. Voer deze handeling nooit zelf uit.

2. De kookplaat mag niet geïnstalleerd worden rechtstreeks boven een afwasmachine, koelkast, vriezer, wasmachine of wasdroger, aangezien vocht de elektronica van de kookplaat kan beschadigen.
3. De inductiekookplaat moet zodanig geïnstalleerd worden dat er een betere hittestraling gegarandeerd kan worden om de betrouwbaarheid van de kookplaat te vergroten.
4. De wand en het gebied boven het werkblad waar hitte opgewekt wordt, moet hittebestendig zijn.
5. Om beschadiging te voorkomen, moeten de lagen van het werkblad en het kleefmiddel hittebestendig zijn.

De kookplaat aansluiten op het elektriciteitsnet



Deze kookplaat mag uitsluitend op het elektriciteitsnet worden aangesloten door een gekwalificeerd persoon.

Alvorens de kookplaat aan te sluiten op het elektriciteitsnet, controleren of:

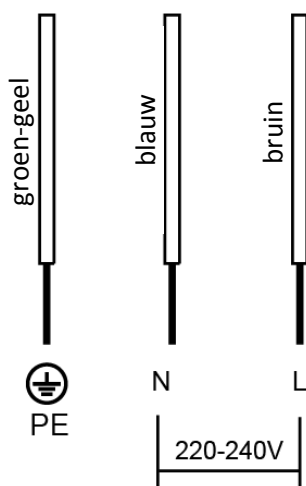
1. het bedradingsstelsel in uw woning geschikt is voor het vermogen dat de kookplaat nodig heeft
2. de spanning overeenkomt met de waarde die op het typeplaatje is vermeld
3. de doorsnede van de voedingskabel bestand is tegen de op het typeplaatje vermelde belasting. Gebruik bij de aansluiting op het elektriciteitsnet geen adapters, reductoren of aftakvoorzieningen, aangezien deze kunnen leiden tot oververhitting en brand.

De voedingskabel mag nergens hete delen raken en moet zodanig geplaatst worden dat de temperatuur ervan nooit de 75°C kan overschrijden.



Controleer met een elektricien of het bedradingsstelsel van uw woning geschikt is zonder wijzigingen aan te brengen. Eventuele wijzigingen mogen uitsluitend aangebracht worden door een erkend elektricien.

De voeding moet aangesloten worden in overeenstemming met de betreffende norm of een enkelpolige stroomonderbreker. De aansluitmethode is hieronder weergegeven.



- Als de kabel beschadigd is of vervangen moet worden, moeten deze werkzaamheden uitgevoerd worden door een vertegenwoordiger van de klantenservice met speciale gereedschappen om ongelukken te voorkomen.
- Als het apparaat rechtstreeks wordt aangesloten op het elektriciteitsnet, moet er een omnipolaire stroomonderbreker geïnstalleerd worden met een minimumopening tussen de contacten van 3 mm.
- De installateur moet garanderen dat de correcte elektrische aansluiting gemaakt is en dat deze voldoet aan de veiligheidsvoorschriften.
- De kabel mag niet verbogen of platgedrukt worden.
- De kabel moet regelmatig gecontroleerd worden en mag alleen vervangen worden door erkende technici.
- De geel/groene draad van de voedingskabel moet aangesloten worden op aarde van zowel de stroomtoevoer als de klemmen van het apparaat.
- De fabrikant kan niet aansprakelijk gesteld worden voor ongelukken voortvloeiend uit het gebruik van het apparaat als dit niet geaard is, of met onjuiste continuïteit van de aardeverbinding.
- Als het apparaat voorzien is van een contactdoos, dan moet het zodanig geïnstalleerd worden dat de contactdoos toegankelijk is.



AFDANKEN: Gooi dit product niet weg als niet-gescheiden gemeentelijk afval. Gescheiden inzameling van dergelijk afval is noodzakelijk.

Dit apparaat is van een merkteken voorzien in overeenstemming met de Europese richtlijn 2012/19/EG inzake Afdankte Elektrische en Elektronische Apparatuur (AEEA). Door ervoor te zorgen dat dit apparaat correct als afval wordt verwerkt, helpt u schade aan het milieu en de menselijke gezondheid te voorkomen, die anders veroorzaakt kan worden als het op de verkeerde manier als afval verwerkt wordt.

Het symbool op het product geeft aan dat het niet behandeld mag worden als normaal huishoudelijk afval. Het moet afgegeven worden bij een speciaal inzamelingspunt voor het recyclen van elektrische en elektronische producten.

Dit apparaat vereist gespecialiseerde afvalverwerking. Neem voor meer informatie over de behandeling, terugwinning en recycling van dit product contact op met uw plaatselijke gemeenteraad, uw vuilnisophaaldienst, of de winkel waar u het gekocht hebt.

Neem voor meer gedetailleerde informatie over de behandeling, terugwinning en recycling van dit product contact op met uw plaatselijke gemeentehuis, uw vuilnisophaaldienst, of de winkel waar u het gekocht hebt.

Предупреждения за безопасност

Вашата безопасност е важна за нас.

Моля, прочетете информацията в тези инструкции преди да използвате вашия плот за готвене.

Монтаж

Опасност от токов удар

- Преди да извършвате някаква работа или поддръжка по уреда, го изключете от електрическата мрежа.
- Съвръзването към изправна заземяваща система е важно и задължително.
- Промени в домашната електрическа мрежа, трябва да се извършват само от квалифициран електротехник.
- Неспазване на тези указания може да доведе до токов удар или смърт.

Опасност от порязване

- Внимавайте-ръбовете на панела са остри.
- Невнимателна работа може да доведе до нараняване или порязване.

Важни инструкции за безопасност

- Преди да монтирате или използвате този уред прочетете тези инструкции внимателно.
- По всяко време върху котлона могат да се поставят само негорими материали или продукти.
- Моля, предоставете тази информация на разположение на лицето, отговорно за инсталиране на уреда, тъй като това може да намали вашите разходи за монтаж.
- С цел избягване на опасност, този уред трябва да бъде монтиран в съответствие с тези инструкции за монтаж.
- Този уред трябва да бъде правилно монтиран и заземен само от лице с подходяща квалификация.
- Този уред трябва да бъде свързан по схема включваща прекъсвач, който позволява напълно отделяне на уреда от ел. Захранване.
- Неправилно монтиране на уреда водят до анулиране на гаранцията на уреда и искове за отговорност.

Експлоатация и поддръжка

Опасност от токов удар

- Не говете на счупен или повреден готварски плот. Ако повърхността на плота се счупи или напука, веднага изключете уреда от ел. Захранване (от контакта) и се свържете с квалифициран техник.
- Изключете уреда от контакта при почистване или поддръжка.
- Неспазване на тези указания може да доведе до токов удар или смърт.

Опасност за здравето

- Този уред отговаря на стандартите за електромагнетична безопасност.
- Въпреки това, хора с кардиологични пейс мейкъри или електрически импланти (като инсулинови помпи) трябва да се консултират с техния личен лекар или с производителя на съответния имплант, преди да използват този уред. За да са сигурни, че имплантите им няма да бъдат повлияни от електромагнитното поле на уреда.
- Не спазване на тези съвети може да доведе до смърт.

Опасност от греща повърхност

- По време на използване открити части от уреда се нагряват достатъчно, че да предизвикат изгаряне.
- Не позволявайте части от вашето тяло, облекло или други предмети, освен подходящи съдове за готвене, да се допират до индукционното стъкло, доато не се е охладило.
- Внимание: намагнитваеми метални предмети по вас, оже да се нагряят, ако са в близост до плота за готвене. Златни или сребърни бижута не се повлияват.
- Пазете децата на далеч от уреда.
- Дръжки на тенджери може да се нагряят прекалено за да могат да бъдат докосвани. Проверете, дали дръжките не са над други включени зони за готвене. Не позволявайте на деца да пипат дръжките.
- Неспазване на тези указания може да доведе до изгаряния и опарвания.

Опасност от порязване

- Когато е свален предпазния капак на стъргалка за плот, острието и е открито. Използвайте я изключително внимателно и след това я съхранявайте на недостъпно и безопасно за деца.
- Невнимателно използване може да доведе до нараняване и порязвания.

Важни инструкции за безопасност

- При работа на плота, никога не го оставяйте без надзор. Извирания на течност водят до образуване на дим и мазни петна, които могат да се запалят.
- Никога не използвайте уреда за работна повърхност или място за съхранение.
- Никога не оставяйте предмети или посуда върху плота.
- Не поставяйте или оставяйте намагнитваеми предмети (напр. кредитни карти, карти памет) или електронни устройства (напр. компютри, MP3 устройства) в близост до уреда, тъй като те могат да бъдат повлияни от неговото електромагнитно поле.
- Никога не използвайте уреда за затопляне или загряване на помещението.
- След експлоатация винаги изключвайте плота, както е описано в тези инструкции (напр. чрез използване на сензорните бутони). Не разчитайте на сензора за наличие на съд върху зоните за готвене да изключи зоните след като отстраните съда от плота.
- Не позволявайте на деца да си играят с уреда или да сядат, стоят или качват върху него.
- Не съхранявайте предмети представляващи интерес за деца, в шкафове над готварския плот. Деца покатервайки се върху плота може да сериозно да се наранят.
- Не оставяйте децата сами или без надзор в района на работещ плот.
- Деца или хора с увреждания които ограничават техните способности да използват плота трябва да бъдат инструктирани от отговорен и компетентен човек, който да ги напъства и обучава в използването на уреда. Инструкторът трябва да се увери, че те могат да използват уреда без опасност за себе си или околните.
- Не ремонтирайте или подменяйте части от уреда освен ако изрично не е описано в инструкциите. Всички сервизни дейности трябва да се извършват от квалифициран специалист.
- Не използвайте пароструйка за почистване на уреда.
- Не поставяйте или изпускайте тежки предмети върху плота.
- Не стойте върху вашия плот за готвене.
- Не използвайте съдове с остри, назъбени ръбове или не плъзгайте съдове по индукционната стъклена повърхност, тъй като това може да надраска стъклото.
- Ако захравация кабел на уреда е повреден, той трябва да бъде заменен само от подходящо квалифициран специалист.
- Уредът е предназначен за използване в битови условия и подобни приложения, като: -райони за кухненски персонал в

магазини, офиси и други работни среди; -ферми; -от клиенти на хотели, мотели и други видове жилищни среди ; -помещения за спане и закуска.

- Този уред може да се използва от деца на и по-големи от 8 години и от хора с психични, сензитивни и умствени увреждания или с липса на опит и знания за използване на уреда, ако са под наблюдение или са инструктирани за работа с уреда и са в състояние да разберат възможните опасности при ползването му. Децата не трябва да си играят с уреда. Почистване и поддръжка на уреда не трябва да се извършва от деца, без да бъдат наблюдавани.
- **ПРЕДУПРЕЖДЕНИЕ:** Готвене на кухненския плот с олио или мазнина, без надзор може да бъде опасно и да доведе до възникване на пожар. НИКОГА не се опитвайте да изгасите пожар с вода, а изключете уреда и покрийте пламъците напр. с капак или одеало против пожар.
- Метални предмети, като ножове, вилници, лъжици и капаци, не трябва да се поставят върху плота, тъй като може да се нагряят.
- След експлоатация, изключвайте плота от бутона, не разчитайте на сензора за наличие на съд.
- Уредът не е предназначен за ползване с външен таймер или отделна система за дистанционно управление.

Поздравления за закупуването на вашия нов Индукционен плот.

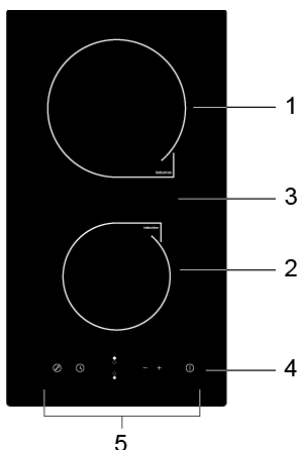
Препоръчваме ви да отделите малко време, за да прочетете тези Инструкции за експлоатация/ Монтаж с цел напълно да научите, как правилно да го монтирате и използвате.

За монтажа, моля обърнете се към частта описваща монтаж.

Прочетете внимателно всички инструкции за безопасност, преди експлоатация на уреда и запазете тези Инструкции за експлоатация/Монтаж за справки в бъдеще.

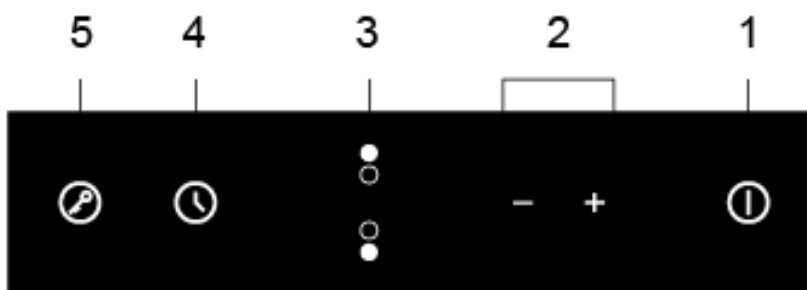
Общ преглед на продукта

Изглед отгоре



1. макс. 2000 W зона
2. макс. 1500 W зона
3. Стъклен плот
4. Бутон ON/OFF/Вкл/Изкл
5. Контролен панел

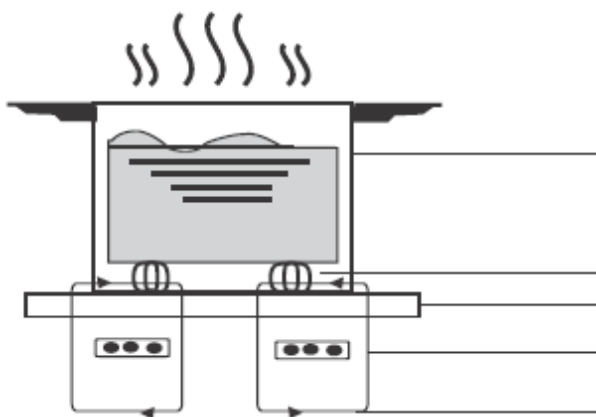
Контролен панел



1. Бутон ON/OFF/Вкл/Изкл.
2. Бутони за регулиране на Мощност / Време.
3. Бутони за избор на зона за нагриване.
4. Управление на таймера.
5. Заключване на таймера.

Информация относно индукционно готвене

Индукционното готвене се характеризира с това, че е безопасн, иновативна, ефективна и икономична технология за готвене. То се осъществява чрез електромагнитни вибрации, които образуват топлина директно върху съда, а не чрез индиректно нагриване на стъклената повърхност. Стъклото на плота се нагрива единствено, защото самия съд е нагрят.



Метален съд

Магнитен поток

Стъклокерамичен плот

Индукционна бобина

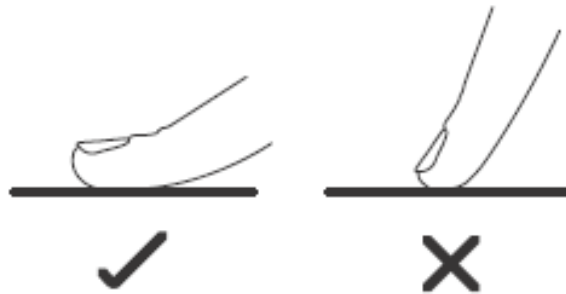
Индукционен ток

Преди да използвате вашия Нов Индукционен плот

- Прочетете тези инструкции, обърнете специално внимание на частта 'Предупреждения за безопасност'.
- Премахнете всяко защитно фолио, евентуално все още останало по вашия Индукционен плот.

Използване на сензорните бутони

- Бутоните реагират на докосване, така че не е необходимо да ги натискате.
- Използвайте възглавничката, не върха на пръста си.
- Всеки път, щом е регистриран допир ще чувате звуков сигнал.
- Уверете се, че бутоните са винаги чисти, сухи, и върху тях не са поставени предмети (напр. прибор или парцал). Дори тънък слой вода може да попречи на добрата работа с бутоните.



Избор на правилни съдове за готвене




- Използвайте само съдове с основа подходяща за индукционно готвене. Потърсете символът за индукция на опаковката или на основата на съда.

- Можете да проверите, дали даден съд е подходящ, като извършите тест с магнит. Доближете магнит до основата на съда. Ако го привлича, значи съдът е подходящ за индукция.



- Ако нямате наличен магнит:

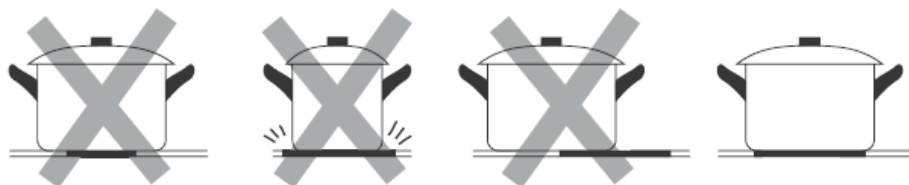
1. Поставете мало количество вода в съда, който исате да пробвате.
2. Ако  не мига на дисплея и водата се затопля, това означава, че съдът е подходящ.

- Не са подходящи съдове изработени от следните материали: чиста неръждаема стомана, алуминий или мед без магнитна основа, стъкло, дърво, порцелан, керамика и керамични изделия.

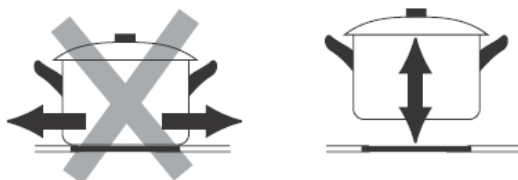
Не използвайте съдове с наръбени ръбове или извито дъно.



Уверете се, че основата на вашия съд е гладка, стои равномерно върху стъклото и е със същия размер, като зоната за готвене. Използвайте съдове чийто диаметър на основата е голям колкото графичния кръг на зоната за готвене. Използване на малко по-широк съд ще се използва максималната ефективност на енергията. Ако използвате по-малък съд ефективността може да бъде по-малка от очакваната. Съд с диаметър по-малък 140 mm може да не бъде засечен от плота. Винаги центрирайте вашия съд върху зоната за готвене.



Винаги вдигайте съдовете от плота – не ги плъзгайте, така ще надраскате повърхността на уреда.



Експлоатация на вашия индукционен плот

За да започнете готвене

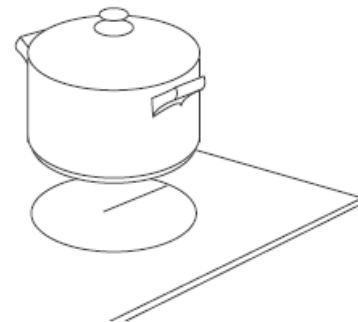
1. Докоснете бутон ON/OFF/Вкл/Изкл.

След включване, чува се единичен звуков сигнал, Всички дисплеи показват " – " или " – – ", показвайки, че индукционния плот е в режим „в готовност“.



2. Поставете подходящ съд за готвене върху зоната, която желаете да използвате.

- Уверете се, че основаа на съда и повърхността на зоната за готвене са чисти и сухи.

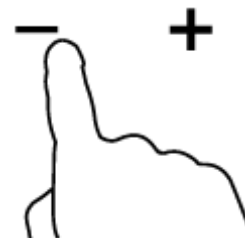


3. Докосвайки бутона за управление на зоната за готвене и индикаторът до бутона започва да мига.



4. Изберете настройки за нагряване чрез бутони "-" или "+" .

- Ако до 1 минута не изберете степен на нагряване, индукционния плот автоматично се изключва. Ще трябва да започнете отново от стъпка 1.



- По всяко време на готвенето можете да промените степента на нагряване.

Ако на дисплея мига редувайки се с настройката за нагряване

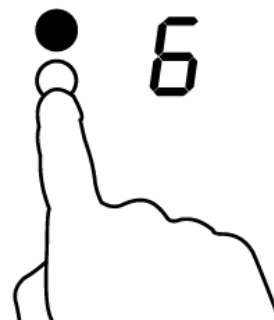
Това означава, че:

- не сте поставили съд върху зоната за готвене или,
- съдът, които използвате не е подходящ за индукционно готвене или,
- съдът е твърде малък или не е центриран правилно на зоната за готвене.

Не започва нагряване, докато не поставите подходящ съд върху зоната за готвене. Ако не сте поставили подходящ съд, след 2 минути дисплеят автоматично се изключва.

Когато завършите готвене

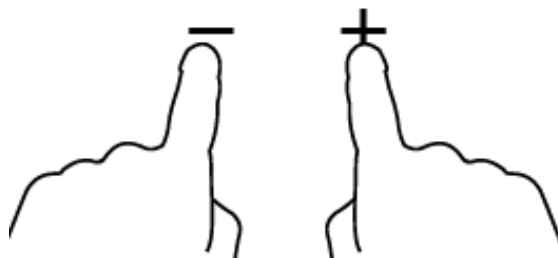
1. Докоснете зоната на нагряване, която искате да изключите.



2. Изключете зоната за готвене, като намалите степените до "0" или като докоснете едновременно бутони "-" и "+". Уверете се, че дисплея показва "0".



OR



3. Изключете целия плот за готвене, като докоснете бутон ON/OFF/Вкл/Изкл .



4. Внимавайте с горещите повърхности

Символът "H" ще ви показва коя зона е твърде гореща за докосване. Той ще изчезне, когато зоната се охлади до безопасна температура. Това може и да се използва, като функция за пестене на енергия, ако искате да загревате съдове за следващо ползване, използвайте все още горещата повърхност.



Заклучване на бутоните за управление

- За да предотвратите непреднамерено използване можете да заключите бутоните (например да предотвратите, случайно включване на зоните за нагряване от деца).
- Когато бутоните са заключени, всички бутони с изключение на ON/OFF/Вкл/Изкл са деактивирани.

За да заключите бутоните

Докоснете бутона за заключване. Индикаторът за време ще покаже " Lo ".

За да отключите бутоните

1. Уверете се, че Индукционния плот е включен.
2. Натиснете и задръжте за известно време бутона за заключване.
3. Сега можете да започнете експлоатация на вашия Индукционен плот.



Когато плота е в заключен режим, всички бутони с изключение на ON/OFF/Вкл/Изкл са деактивирани, в случай на аварийна ситуация винаги можете да изключите вашия плот чрез бутон ON/OFF/Вкл/Изкл, но при следващо използване първо трябва да отключите котлона.

Защита срещу превишаване на температурата

Монтиран температурен сензор може да следи температурата в Индукционния плот. При засичане на превишена температура, плота спира да работи автоматично.

Разпознаване на малки предмети

При поставяне на съд с неподходящ размер или такъв който не се привлича от магнит (напр. от алуминий), или на други малки предмети (напр. нож, вилица, ключ), след 1 минута плота автоматично преминава в режим на готовност. Вентилаторът ще продължи да охлажда котлона за още 1 минута.

Защита – автоматично изключване

Автоматично изключване е функция за безопасност на вашия Индукционен плот. Ако забравите да изключите плота след готвене, тй се изключва автоматично. Фабрично зададените времена за изключване в зависимост от настройката на загреване са дадени в таблицата:

Ниво на мощност	1	2	3	4	5	6	7	8	9
Фабричен таймер за работа(час)	8	8	8	4	4	4	2	2	2

Когато отстраните съда от котлона, индукционния плот може да спре веднага да се нагрива и се изключва автоматично след 2 минути.



Хора със сърдечен пейс мейкър трябва да се консултират с техния доктор преди да използват този уред.

Използване на таймера

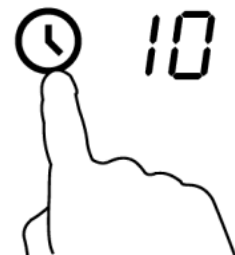
Можете да използвате таймера по два различни начина:

- Можете да го използвате, като брояч на минути/напомняне за изтичане на определени минути. В този случай, таймерът няма да изключи определената зона за готвене, след изтичане на зададеното време.
- Можете да го настроите след изтичане на зададеното време да изключи определена зона за готвене.
- Можете да настроите таймера до 99 минути.

Използване на таймера, като брояч на минути/напомняне за изтичане на определени минути

Ако не изберете зона за готвене

1. Уверете се, че плота за готвене е включен.
Забележка: можете да използвате брояча, дри и да не сте избрали зона за готвене.
2. Докоснете бутона за управление на таймера, Индикаторът за време започва да мига и "10" се показва на дисплея за време.
3. Настройте таймера чрез докосване на бутони "-" или "+" .



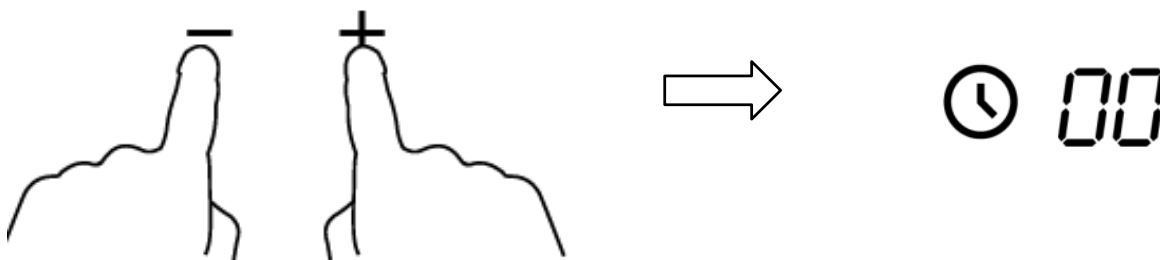
Съвет: Докоснете бутон "-" или "+" на таймера

веднъж, за да намалите или увеличите с 1 минута.

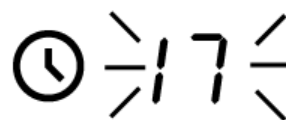
Задръжте бутон "-" или "+" на таймера, за да намалите или увеличите с 10 минути.

Ако настроеното време превиши 99 минути, таймерът автоматично се връща на 00 минути.

4. Докосвайки едновременно "-" и "+" , води до отмяна на таймера и на дисплея се показва "00".



4. Когато времето е зададено, то започва да отброява веднага. Дисплея показва оставащото време и индикаторът на таймера мига за 5 секунди.



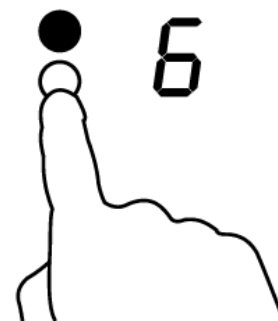
5. Зумерът работи за 30 секунди и индикатора на таймера показва "- - ", когато зададеното време изтече.



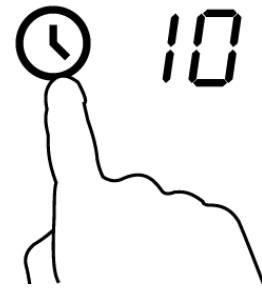
Настройване на таймера да изключи зона за готвене

Зони за готвене настроени за тази функция:

1. Докосване на бутон за избор на зоната за нагряване.



2. Докоснете бутона за таймер, индикаторът започва да мига и на дисплея се появява "10".



3. Настройте таймера, като докосвате бутон "-" или "+".



Съвет: Докоснете бутон "-" или "+" на таймера веднъж, за да намалите или увеличите с 1 минута.

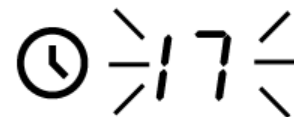
Задръжте бутон "-" или "+" на таймера, за да намалите или увеличите с 10 минути.

Ако настроеното време превиши 99 минути, таймерът автоматично се връща на 00 минути.

4. Докосвайки едновременно "-" и "+" , води до отмяна на таймера и на дисплея се показва "00".



6. Когато времето е зададено, то започва да отброява веднага. Дисплея показва оставащото време и индикаторът на таймера мига за 5 секунди.



Забележка: Червената точка до индикатора светва за да покаже, че зоната е избрана.



7. Кгато изтече зададеното време за готвене съответната зона за готвене се изключва автоматично.



Другите зони за готвене, ако са включени продължават да работят.

Насоки за готвене



Внимавайте при пържене, тъй като олиото и мазнината се нагряват много бързо, особено ако използвате функция PowerBoost. При изключително високи температури олиото и мазнината се възпламеняват спонтанно и това представлява много голяма опасност.

Съвети за готвене

- Когато храната заври, намалете зададената температурна настройка.
- Използването на капак ще намали времето за готвене и ще спести енергия чрез запазване на топлината.
- Намалете количеството течност или мазнина, за да намалите времето за готвене.
- Започнете готвенето на висока настройка и след това я намалете, когато храната се е затоплила изцяло.

Варене на тих огън/къкрене, готвене на ориз

- Варене на тих огън/къкрене, се осъществява преди точката на завиране, на около 85°C, когато тъкмо започват да се появяват мехурчета в течността, която готвите. Това е ключа към приготвяне на вкусни супи и яхнии, тъй като вкуса се образува без да пресготвяте храната. Също трябва да приготвяте сосове с яйца или сгъстявани с брашно под точката на завиране.
- Някой дейности, включително готвене на ориз чрез метода на абсорбиране, може да изисква настройка по-висока от най-ниската, за да се осигури правилно сготвяне в препоръчаното време.

Запечатване на пържола

За приготвяне на сочни вкусни пържоли:

1. Преди готвене оставете месото да престои на стайна температура за около 20 минути.
2. Загрейте тиган за пържене с дебела основа.
3. Намажете двете страни на пържолата с олио. Напръскайте леко с олио дъното на нагорещения тиган, след което поставете месото в горещия тиган.
4. По време на готвене обърнете пържолата само веднъж. Времето за готвене зависи от това, колко е дебела пържолата и колко добре искате да е сготвена. Времето варира от 2 – 8 минути на страна. Натсинете пържолата, за да определите, колко е сготвена – колкото е по-твърда, толкова по-добре е изпечена/ 'well done'.
5. Оставете пържолата да отпочине на топло място за няколко минути, за да позволите на месото да се отпусне и да стане пържолата по-мека преди да я сервирате.

При пържене с бъркане

1. Изберете подходящ за ползване върху керамичен плот тиган тип Уок с плоско дъно или голям тиган за пържене.
2. Подгответе всички съставки и необходимо оборудване. Пърженето с бъркане трябва да бъде бързо. Ако приготвяте големи количества, разделете храната на по-малки порции.
3. Загривайте тигана за кратко и добавете две супени лъжици олио.
4. Първо пригответе месото, след това го оставете настрана и го поддържайте топло.
5. Изпържете зеленчуците. Когато са горещи, но все още хрупкави, намалете настройката на зоната за готвене, върнете обратно месото в тигана и добавете сос.
6. Внимателно разбъркайте съставките, за да сте сигурни че всички са загряти равномерно.
7. Сервирайте веднага след готвене.

Настройки на топлината

Показаните по-долу настройки са само насочващи. Точната настройка ще зависи от няколко фактора, включително от вашите съдове за готвене и количеството храна, която ще приготвяте. Експериментирайте с индукционния котлон, за да определите кои настройки са най-подходящи за вас.

Настройки на топлина	Подходящи за
1 - 2	<ul style="list-style-type: none"> • деликатно затопляне на малки количества храна; • разтопяване на шоколад, масло и храни които бързо прегарят; • леко къкрене/варене; • бавно затопляне.
3 - 4	<ul style="list-style-type: none"> • претопляне; • бързо завиране; • готвене на ориз.
5 - 6	<ul style="list-style-type: none"> • палачинки.
7 - 8	<ul style="list-style-type: none"> • сотиране; • готвене на паста.
9	<ul style="list-style-type: none"> • пържене с бъркане; • запечатване на месо; • завиране на супа; • варене на вода

Поддръжка и почистване

Какво?	Как?	Важно!
Ежедневно замърсяване на стъклото (отпечатаци от пръсти, петна, останки от храна или разливане на не-сладки смеси върху плота)	<ol style="list-style-type: none"> 1. Изключете ел. захранването към плота за готвене. 2. Нанесете препарат за почистване на плотове за готвене, докато е все още топъл (но не горещ!) 3. Измийте и подсушете след това с чист парцал или кухненска хартия. 4. Включете отново ел. захранването към плота за готвене. 	<ul style="list-style-type: none"> • Когато ел. захранването на плота е изключено, няма да има индикация за 'гореща повърхност', но зоната за готвене може все още да бъде гореща! Действайте изключително внимателно. • Стъргалки, пластмасови и остри абразивни препарати за почистване може да надраскат повърхността. Винаги четете етикета, за да определите, дали вашата стъргалка е подходяща за почистване на плота. • Никога не оставяйте остатъци от почистването върху плота: стъклото може да се оцвети за постоянно.
Изливане от варене, разтопяване, и горещи разливания от смеси със захар върху стъклото	Такива замърсявания отстранявайте веднага с парче риба, мастихин или острието на стъргалка подходяща за почистване на индукционни плотове, но	<ul style="list-style-type: none"> • Отстранявайте замърсявания от разливане, разтопяване или от слдаки смеси възможно най-скоро. Ако се остави да засъхне върху стъклото може да бъде много трудно за почистване или дори да

	<p>вимавайте за горещите повърхности на зоните за готвене:</p> <ol style="list-style-type: none"> 1. Изключете ел. захранването на плота за готвене. 2. Дръжте острието или прибора за почистване под ъгъл 30° и изтържете разливането или го избутайте до студена част на плота за готвене. 3. Подсушете или забършете замърсяването с кухненска хартия или гъбичка. 4. Следвайте стъпки 2 до 4 от горното 'Ежедневно замърсяване на стъклото'. 	<p>увреди необратимо повърхността на стъклото.</p> <ul style="list-style-type: none"> • Опасност от порязване: когато е свален предпазния капак на стъргалката, острието и е много остро. Използвайте я изключително внимателно и след това я съхранявайте на недостъпно и безопасно за деца място.
Разливане върху сензорните бутони	<ol style="list-style-type: none"> 1. Изключете ел. захранването на плота за готвене. 2. Подсушете разливането. 3. Забършете зоната на сензорните буони с чиста, влажна гъбичка или парцал. 4. Забършете напълно до подсушаване на зоната с кухненска хартия. 5. Включете отново ел. захранването към плота за готвене. 	<ul style="list-style-type: none"> • Плътът може да издаде звуков сигнал и да се изключи сам и сензорните бутони може да не работят коректно, ако има разливане върху тях. Уверете се, че сте забърсали и подсушили добре зоната на сензорните бутони преди да включите отново плота за готвене.

Съвети и препоръки

Проблем	Възможни причини	Какво да правите
Не можете да включите Индукционния плот.	Няма ел. захранване.	Уверете се, че вашия плот е свързан към ел. мрежа и е включен. Проверете дали имате захранване на вашата домашна ел. мрежа. Ако сте проверили всичко и все още имате проблем, свържете се със квалифициран техник.
Сензорните бутони не реагират.	Бутоните са заключени.	Отключете бутоните за управление. Виж Част 'Експлоатация на вашия индукционен плот' за инструкции.

Трудно се работи със сензорните бутони.	Може да има тънък слой вода върху бутоните или може би натискате бутоните с върха на пръстите си.	Уверете се, че зоната на бутоните за управление е чиста и при натискане на бутоните използвате възглавничките на вашите пръсти.
Стъклото е надраскано.	Съдове с остри, назъбени ръбове. Използвани са неподходящи прибори или препарати за почистване.	Използвайте съдове с плоски и гладки основи. Виж 'Избор на правилни съдове за готвене'. Виж 'Почистване и грижи'.
Някой съдове издават пукащи или щракащи звукове.	Това може да е от материала, от който е изработен съда (слоевите на различните метали вибрират по различен начин).	Това е нормално за съдовете и не е повреда.
Индукционния плот издава леко бръмчене, при високи температурни настройки.	Това е предизвикано от технологията на индукционно готвене.	Това е нормално, но шумът трябва да намалява или да изчезне напълно, когато намалите температурната настройка.
Звук от въртящ се вентилатор.	Вграденият във вашия индукционен плот вентилатор се е включил, за да предпази електрониката на уреда от прегряване. Той може да продължи да работи, дори след като сте изключили индукционния плот.	Това е нормално и не е необходимо да предприемате никакви действия. Не изключвайте захранването към индукционния плот, докато вентилаторът работи.
Съдовете не се нагряват и на дисплея се появява символът  .	Индукционния плот не открива съда, защото той не е подходящ за индукционно готвене. Индукционния плот не открива съда, защото той е твърде малък за съответната зона за готвене или не е центриран правилно.	Използвайте съдове подходящи за индукционно готвене. Виж част 'Избор на правилни съдове за готвене'. Центрирайте съда и се уверете, че основата му съвпада с размера на зоната за готвене.

Индукционния плот или зона за готвене са се изключили сами неочаквано, чува се звуков сигнал и се изписва код за грешка на дисплея (обикновено редуване на една или две цифри на дисплея за време).	Техническа неизправност.	Моля, запишете си цифрите и буквите на грешката, изключете индукционния плот от ел. захранването и се свържете с квалифициран техник.
---	--------------------------	---

Никога не се опитвайте да разглобявате уреда сами.

Изобразяване на повреди и инспекция

Ако се появи аномалия в работата, индукционния плот автоматично преминава в защитен режим и изобразява съответните кодове:

Проблем	Възможни причини	Какво да правите
F3-F8	Повреда на температурния сензор.	Моля, свържете се със вашия доставчик.
F9-FE	Повреда на температурния сензор на IGBT.	Моля, свържете се със вашия доставчик.
E1/E2	Аномалия в захранващото напрежение.	Моля, проверете захранващото напрежение. Ако напрежението е нормално, свържете отново плота към него.
E3/E4	Аномалия на температурата.	Моля, проверете съда.
E5/E6	Лошо разпределение на температурата на индукционния плот.	Моля, рестартирайте след охлаждане на индукционния плот.

Дадените горе са преценки и инспекции за познати повреди.

Моля, не разглобявайте уреда сами, за да избегнете опасности и повреди на индукционния плот.

Технически спецификации

Плот за готвене	CDI 30
Зони за готвене	2 Зони
Захранващо напрежение	220-240V~ 50/60Hz
Инсалирана електрическа мощност	3500 W
Размери на продукта Д×Ш×В(mm)	288X520X56
Размери за вграждане А×В (mm)	268X500

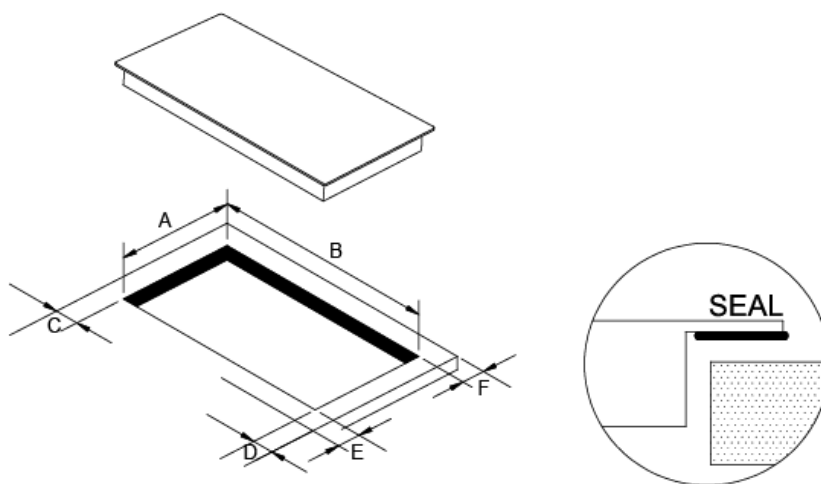
Теглото и размерите са ориентировъчни. Тъй като ние постоянно се стремим да подобряваме нашите продукти, може да променим някои от спецификациите и дизайна на уреда без предварително уведомление.

Монтаж

Избор на монтажното оборудване

Изрежете работната повърхност спрямо дадените размери на фигурата. За целите на монтажа и експлоатацията, трябва да се остави пространство от минимум 5 cm около отвора.

Уверете се, че дебелината на работната плоскост е поне **30mm**. Моля, изберете топлоустойчива работна повърхност, за да избегнете големи деформации предизвикани от разпространението на топлина от горещия плот. Както е показано по-долу:

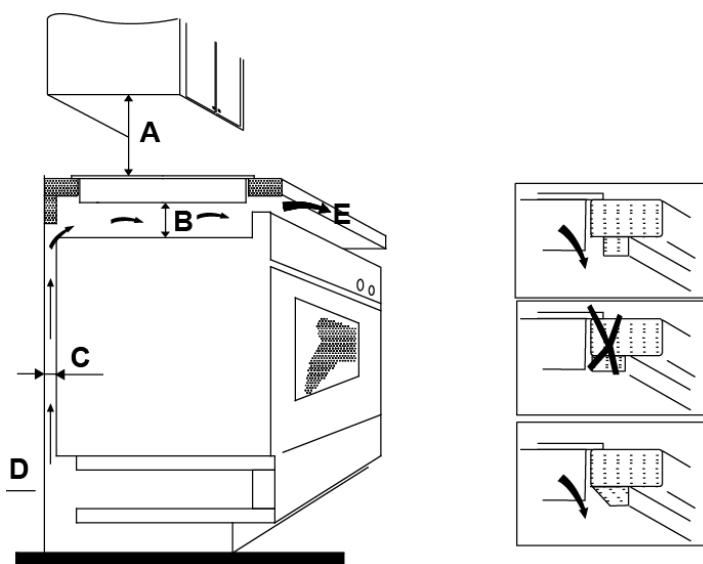


A(mm)	B(mm)	C(mm)	D(mm)	E(mm)	F(mm)
268 ⁺⁴ ₋₀	500 ⁺⁴ ₋₀	50 мин .	50 мин .	50 мин .	50 мин .

При всички обстоятелства се уверете, че индукционен плот за готвене е добре вентилиран и отворите за влизане и излизане на въздух не са блокирани. Уверете се, че индукционен плот за готвене е в добро състояние. Както е показано по-долу



Забележка: Безопасното разстояние между горещия плот и шкаф над него трябва да бъде поне **760 mm**.



A(mm)	B(mm)	C(mm)	D	E
760	50 мин .	30 мин .	В х о д я щ в ъ з д у х	И з х о д я щ в ъ з д у х 10 mm

Преди да монтирате плота се уверете, че

- работната повърхност е правоъгълна и равна и няма структурни елементи, които да пречат на изискванията за пространство;
- работната повърхност е изработена от топлоустойчив материал;
- ако плотът е монтиран над фурна, тя е с вграден охлаждащ вентилатор;
- монтажът е в съответствие с всички изисквания за отстояние и приложимите стандарти и норми;
- монтиран е подходящ изолиращ превключвател осигуряващ пълно отделяне от ел. захранване, монтиран и позициониран в съответствие с местните норми и правила.

Изолиращия превключвател трябва да бъде от одобрен тип и да осигурява

3 mm разстояние между контактите на всички полюси (или на всички активни [фаза] проводници ако местните правила позволяват този вариант на изискване)

- изолиращия превключвател ще бъде лесно достъпен за потребителя при монтиран плот;
- се консултирате с местните власти и нормативи, ако се съмнявате относно монтажа;
- използвайте топлоустойчиви и лесни за почистване облицовки (като керамични плочки) за стенните повърхности и околностите на плота.

Когато плота е вече монтиран се уверете, че

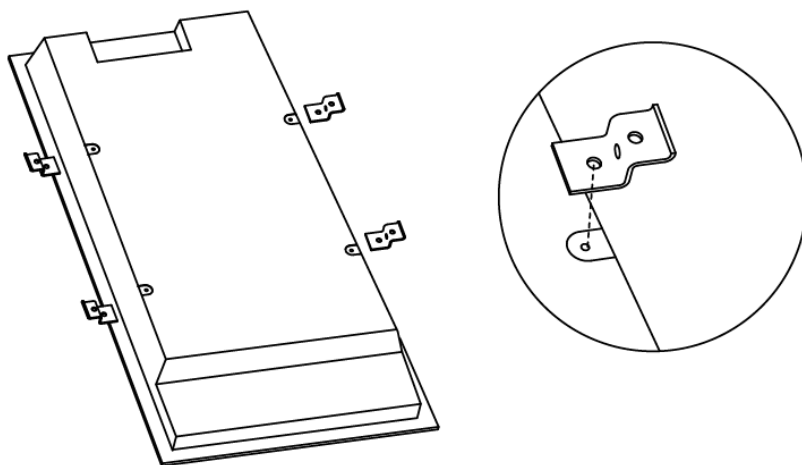
- Захранващия кабел не е достъпен през вратички на шкафове или чекмеджета;
- Има достатъчен приток на свеж въздух през шкафа до основата на плота;
- Ако плота е монтиран над чекмедже или шкафово пространство, е монтирана топлинна преграда под основата на уреда;
- Изолиращия превключвател е лесно достъпен за потребителя.

Преди поставяне на фиксиращите планки

Уредът трябва да бъде поставен върху стабилна, гладка повърхност (използвайте опаковката). Не прилагайте сила върху изпъкнали от плота бутони.

Регулиране позицията на планките

След монтажа, фиксирайте плота към работния плот, като завиете четирите планки на основата на плота (виж фигурта). Регулирайте позицията на планките спрямо дебелината на плота.



Предупреждения

1. Индукционния плот за готвене трябва да бъде монтиран от квалифициран персонал или специалисти. Ние разполагаме с професионалисти, които са на ваше разположение. Моля, никога не извършвайте тази дейност сами.
2. Този плот не трябва да бъде монтиран директно над съдомиялна, хладилник, фризер, перална машина или сушилна за дрехи, тъй като влагата може да повреди електрониката на плота.
3. Индукционния плот трябва да бъде монтиран, така че да бъде осигурено разсейване на образуващата се топлина, за да се осигури по-надеждната му работа.
4. Стената и нгриващата се зона над работната повърхност трябва да са топлоустойчиви.
5. За да избегнете повреди, облицовката и лепилото трябва да бъдат устойчиви на топлина.

Свързване на плота към електрическо захранване



Този плот трябва да бъде свързан към електрическото захранване само от подходящо квалифициран специалист.

Преди да свържете плота към електрическото захранване, проверете:

1. домашната електрическа мрежа е подходяща за напрежението, което е необходимо на плота.
2. силата на тока съответства на този даден на табелката с данни.
3. захранващия кабел може да издържи на напрежението описано на табелката с данни.

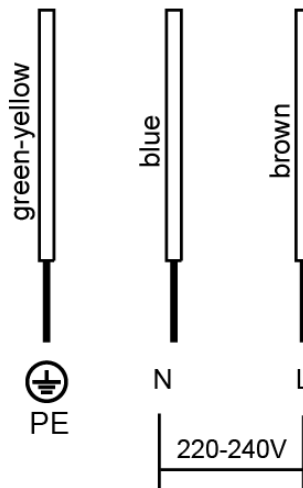
За свързване на плота към ел. мрежа не използвайте адаптери или разклонители, тъй като те могат да предизвикат прегряване и пожар.

Захранващия кабел не трябва да се допира до горещи части и трябва да бъде позициониран, така че температурата му във всяка точка да не превишава повече от 75°C.



Проверете с помощта на електротехник, дали ел. ви мрежа е подходяща без да са необходими никакви промени. Всякакви необходими промени трябва да бъдат извършвани от квалифициран електротехник.

Свързването към ел. захранване трябва да се извърши спрямо съответните стандарти или с еднополюсен прекъсвач. Методът на свързване е показан по-долу.



- Ако захранващия кабел е повреден или се нуждае от замяна, това трябва да бъде извършено от техник за поддръжка с помощта на подходящите инструменти, за да се избегнат инциденти.
- Ако уредът се свързва директно към ел. захранване, трябва да бъде монтиран прекъсвач на всички полюси с минимално разстояние от 3mm между контактите.
- Специалистът извършващ монтажа трябва да осигури правилно електрическо свързване в съответствие с нормите за безопасност.
- Захранващия кабел не трябва да бъде прегъван или притискан.
- Захранващия кабел трябва да бъде проверяван периодично и да бъде подменян единствено от подходящо квалифициран специалист.
- Жълто/зеления проводник на захранващия кабел трябва да бъде свързан към заземяване към двете захранването и терминалите на уреда.
- Производителя не може да бъде отговорен за инциденти причинени от използване на уред, които не е свързан към заземяване или заземителната система е неизправна.
- Ако уредът е свързан към контакт в стената, то той трябва да бъде монтиран, така че да бъде достъпен по всяко време.



ИЗХВЪРЛЯНЕ: Не изхвърляйте този продукт, като не сортиран обществен отпадък. Необходимо е отделяне на този отпадък за специално третиране.

Този продукт определен спрямо Европейска директива 2012/19/ЕС за Waste Electrical and Electronic Equipment (WEEE). Чрез правилното изхвърляне на този уред се гарантира, че допринасяте към предотвратяване на евентуални щети на околната среда и човешкото здраве, което би могло да бъде причинено, ако уреда не се изхвърли по правилен начин.

Символът на този продукт показва, че той не може да бъде третиран, като обикновен битов отпадък. Той трябва да бъде занесен в пункт за събиране и рециклиране на електрически и електронни стоки.

Уредът изисква изхвърляне на специализирано място. За повече информация касаеща третиране, възстановяване и рециклиране на този продукт, моля свържете се с местната община, службата за изхвърляне на битови отпадъци или магазина, от който сте купили уреда.

За повече детайлна информация касаеща третиране, възстановяване и рециклиране на този продукт, моля свържете се с местната община, службата за изхвърляне на битови отпадъци или магазина, от който сте купили уреда.

Указания по технике безопасности

Мы заботимся о вашей безопасности. Перед началом эксплуатации вашей варочной поверхности внимательно прочтите представленную ниже информацию.

Установка

Опасность поражения электрическим током

- Перед выполнением любых операций, связанных с обслуживанием или ремонтом электроприбора отсоедините электроприбор от электросети.
- Электроприбор должен подключаться к электросети, снабженной защитным заземлением.
- Работы, связанные с изменением электропроводки в вашем доме, должны выполняться только квалифицированным электриком.
- Невыполнение этого требования может привести к поражению электрическим током или к летальному исходу.

Опасность, связанная с порезом

- Соблюдайте осторожность - края панели являются очень острыми.
- Несоблюдение соответствующих мер предосторожности может привести к порезам или к другим травмам.

Важные инструкции по технике безопасности

- Перед выполнением установки и эксплуатации данного электроприбора внимательно прочтите приведенные ниже инструкции.
- Не кладите на данный электроприбор никакие горючие материалы или изделия, изготовленные из горючих материалов.
- Пожалуйста передайте эту информацию лицу, выполняющему установку электроприбора, так как это может способствовать снижению ваших затрат на его установку.
- Для предотвращения возникновения опасных ситуаций данный электроприбор должен устанавливаться в соответствии с инструкциями по его установке.
- Установка и заземление данного электроприбора должны выполняться только лицом, имеющим соответствующую квалификацию.
- Данный электроприбор должен подключаться к электросети,

снабженной разъединителем, который обеспечивает полное отсоединение электроприбора от питающей электросети.

- Неправильная установка электроприбора может привести к отмене гарантии.

Эксплуатация и обслуживание

Опасность поражения электрическим током

- **ВНИМАНИЕ!** Если поверхность треснула, отключите прибор для предотвращения поражения электрическим током
- Не готовьте пищу на поврежденной или растрескавшейся варочной поверхности. В случае повреждения варочной поверхности или образования на ней трещин немедленно отключите варочную поверхность от электросети и свяжитесь с квалифицированным специалистом.
- Перед выполнением чистки или обслуживания варочной поверхности отключите ее от электросети.
- Невыполнение этого требования может привести к поражению электрическим током или к летальному исходу.

Опасность для здоровья

- Данный электроприбор соответствует требованиям стандартов по обеспечению электромагнитной безопасности.
- Однако лица, использующие имплантированные электронные стимуляторы сердца или другие имплантированные медицинские устройства (например, дозаторы инсулина) перед тем как начать пользоваться данным электроприбором должны проконсультироваться у доктора или у производителя импланта, чтобы убедиться в том, что на работу имплантов не будет негативно влиять электромагнитное поле.
- Невыполнение этого требования может привести к летальному исходу.

Опасность, связанная с горячей поверхностью

- Во время эксплуатации доступные части данного электроприбора нагреваются до высокой температуры, что может привести к ожогам.
- Не допускайте контакта частей своего тела, одежды, и других предметов, отличных от подходящей кухонной посуды, с индукционной варочной поверхностью до того, как индукционная варочная поверхность не остынет.
- Металлические предметы, такие как ножи, вилки, ложки и крышки не следует класть на поверхность конфорочной панели, так как они могут нагреться.

- Соблюдайте осторожность: предметы из ферромагнитных материалов (материалов, обладающих остаточным намагничиванием), которые вы носите на себе, могут вблизи варочной поверхности нагреваться до высокой температуры. Украшения из золота и серебра нагреваться не будут.
- Не разрешайте детям подходить близко к варочной поверхности.
- Ручки кастрюль и сковород могут нагреваться до высокой температуры. Проверьте, что ручки кастрюль и сковород не нависают над другими включенными зонами нагрева. Ручки кастрюль и сковород должны быть недоступны детям.
- Невыполнение этого требования может привести к ожогам.

Опасность, связанная с порезом

- После снятия со скребка для чистки варочной поверхности защитного колпачка обнажается очень острое лезвие. Пользуйтесь скребком для чистки варочной поверхности очень осторожно и храните его в недоступном для детей месте.
- Несоблюдение соответствующих мер предосторожности может привести к порезам или к другим травмам.

Важные инструкции по технике безопасности

- Никогда не оставляйте без присмотра включенную варочную поверхность. Проливание на варочную поверхность кипящей жидкости может привести к образованию дыма, а разбрызгивание на варочную поверхность жира может привести к возгоранию жира на варочной поверхности.
- Никогда не используйте варочную поверхность в качестве рабочей поверхности или поверхности для хранения предметов.
- Никогда не оставляйте на варочной поверхности кухонную посуду или другие предметы.
- Не подносите предметы, содержащие материалы, обладающие остаточным намагничиванием (например, кредитные карты и карты памяти) и электронные устройства (например, компьютеры, MP3 плееры) близко к данному электроприбору, так как электромагнитное поле может оказать негативное влияние на работу этих устройств.
- Никогда не используйте варочную поверхность для обогрева помещения.
- После использования варочной поверхности обязательно выключите зоны нагрева и всю варочную поверхность, как описано в данном руководстве (с помощью сенсорных кнопок управления). Не полагайтесь на функцию определения

наличия на варочной поверхности кухонной посуды, когда вы снимаете посуду с варочной поверхности.

- Не разрешайте детям играть с электроприбором, а также садиться, вставать или забираться на него.
- Не храните предметы, которые могут быть интересны детям, в шкафах, расположенных над электроприбором. Ребенок, пытающийся забраться на варочную поверхность, может быть серьезно травмирован.
- Не оставляйте без присмотра детей, находящихся поблизости от работающей варочной поверхности.
- Данный прибор не предназначен для использования лицами (включая детей) с пониженными физическими, психическими или умственными способностями или при отсутствии у них опыта или знаний, если они не находятся под контролем или не проинструктированы об использовании прибора лицом, отвечающим за их безопасность.
- Дети должны находиться под присмотром для недопущения игры с прибором
- Не выполняйте ремонт или замену деталей электроприбора самостоятельно за исключением тех случаев, когда это рекомендуется в данном руководстве. Все прочие операции, связанные с обслуживанием электроприбора, должны выполняться квалифицированным специалистом.
- Не пользуйтесь для чистки варочной поверхности пароочистителем.
- Не кладите и не роняйте тяжелые предметы на варочную поверхность.
- Не вставляйте на варочную поверхность.
- Не пользуйтесь кастрюлями и сковородами с неровным дном, и не передвигайте кастрюли и сковороды по индукционной варочной поверхности, так как это может вызвать образование на индукционной варочной поверхности царапин.
- Не пользуйтесь для чистки варочной поверхности металлическими мочалками и абразивными чистящими средствами, так как это может вызвать образование на индукционной варочной поверхности царапин.
- Замена поврежденного шнура питания электроприбора должна выполняться специалистом, обладающим достаточной квалификацией.

Данный электроприбор предназначен для бытовых и подобных применений, например: - кухонные помещения

для персонала в магазинах, офисах, и в других местах; - загородные дома; - использование клиентами в отелях, мотелях, и других жилых помещениях; - в гостиницах типа "постель и завтрак".

- **ПРЕДУПРЕЖДЕНИЕ:** Приготовление пищи на варочной поверхности с использованием жира или масла без наблюдения за процессом приготовления пищи может привести к возгоранию. НИКОГДА не пытайтесь погасить пламя водой. Выключите электроприбор, а затем накройте пламя, например, крышкой или пожарным одеялом.
- Не кладите на варочную поверхность металлические предметы, такие как: ножи, вилки, ложки, и крышки, так как такие предметы могут нагреваться до высокой температуры.
- После использования варочной поверхности выключите ее с помощью клавиши управления (не полагайтесь на устройство регистрации наличия на варочной поверхности кухонной посуды).
- Данный электроприбор не предназначен для управления с помощью внешнего таймера или внешней системы дистанционного управления.

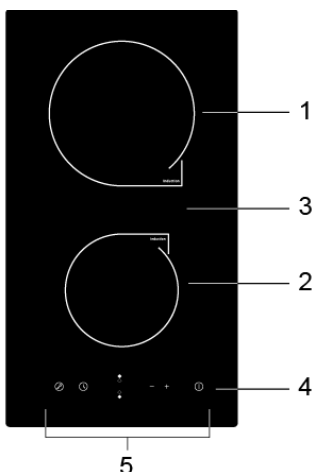
Поздравляем вас с покупкой вашей новой индукционной варочной поверхности.

Мы настоятельно рекомендуем вам потратить некоторое время на то, чтобы прочитать данное руководство по установке и эксплуатации данного электроприбора для того, чтобы понять, как его правильно установить и правильно использовать. Для правильного выполнения установки прочтите раздел, в котором описана установка электроприбора.

Перед началом эксплуатации электроприбора внимательно прочтите все инструкции по технике безопасности и сохраните это руководство для его будущего использования.

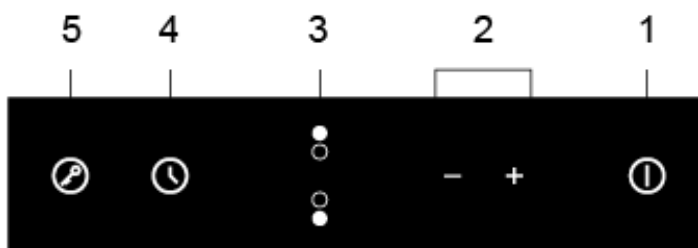
Общее описание изделия

Вид сверху



1. Зона нагрева с максимальной мощностью 2000 Вт
2. Зона нагрева с максимальной мощностью 1500 Вт
3. Стеклопанель
4. Клавиша Вкл. / Выкл.
5. Панель управления

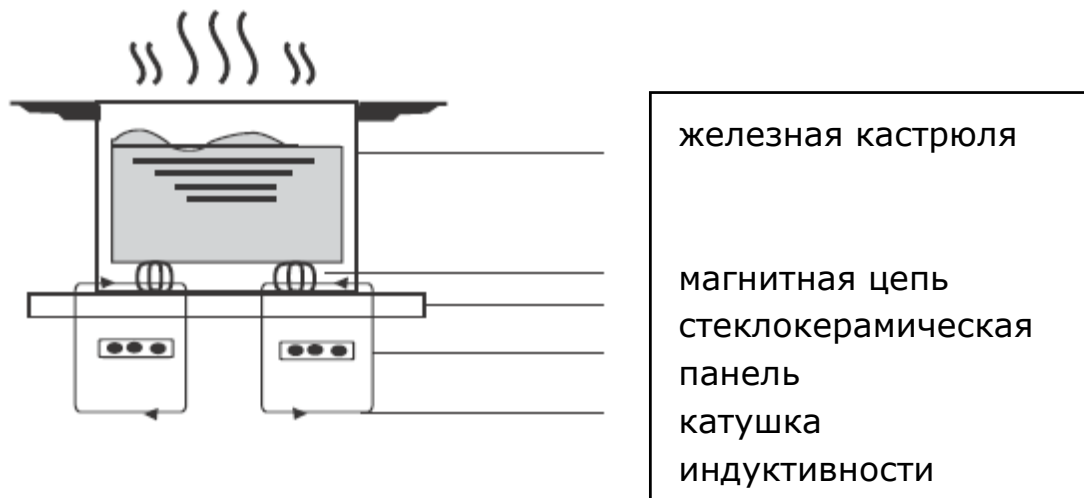
Панель управления



1. Клавиша Вкл. / Выкл.
2. Регулировки мощности нагрева / таймера
3. Клавиши выбора зоны нагрева
4. Регулировка таймера
5. Блокировка клавиш управления

Приготовление пищи на индукционной варочной поверхности

Приготовление пищи на индукционной варочной поверхности является современной, эффективной, и экономичной технологией приготовления пищи. Эта технология приготовления пищи базируется на генерации тепла непосредственно в посуде, которая используется для приготовления пищи, а не на тепле, которое проходит через стекло варочной поверхности. Стекло нагревается только вследствие перехода тепла от посуды.

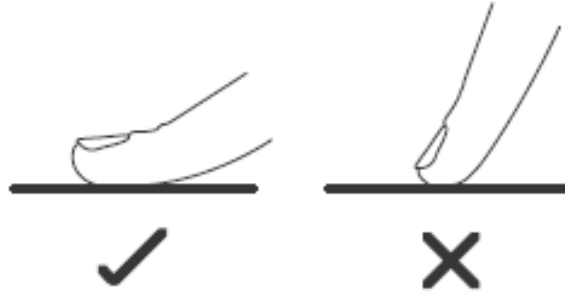


Перед использованием вашей новой индукционной варочной поверхности

- Прочтите данное руководство, обратив особое внимание на раздел 'Указания по технике безопасности'.
- Удалите с индукционной варочной поверхности всю оставшуюся на ней защитную пленку.

Использование клавиш сенсорного управления

- Клавиши сенсорного управления реагируют на легкое прикосновение. Поэтому вы не должны прикладывать к ним никакого давления.
- Прикасайтесь к клавише подушечкой пальца, а не концом пальца.
- После того, как прикосновение будет зарегистрировано, вы услышите звуковой сигнал.
- Следите за тем, чтобы клавиши управления были всегда чистыми, сухими, и чтобы они не загромождались какими-либо предметами (например, кухонная посуда или предметы одежды). Наличие даже очень тонкого слоя воды на клавише управления может привести к нарушению работы клавиши управления.

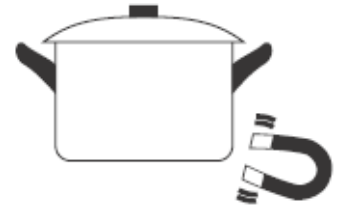


Выбор подходящей кухонной посуды



• Пользуйтесь только кухонной посудой, которая является пригодной для приготовления пищи на индукционной варочной поверхности. На дне кастрюли или на ее упаковке должен быть символ индукционного нагрева.

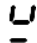
• Вы можете проверить пригодность посуды с помощью магнита.



Поднесите магнит ко дну кастрюли или сковороды. Если магнит притягивается, то посуда пригодна для использования на индукционной варочной поверхности.

• Если у вас нет магнита:

1. Налейте в кастрюлю или сковороду, которую вы хотите проверить, небольшое количество воды.

2. Если индикатор  не мигает, а вода нагревается, то посуда является пригодной для использования на индукционной варочной поверхности.

• Кухонная посуда, изготовленная из перечисленных ниже материалов, является непригодной для использования на индукционной варочной поверхности.

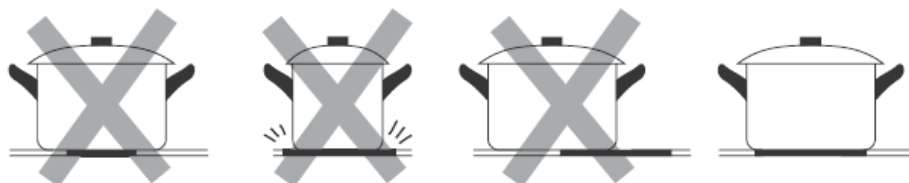
Нержавеющая сталь или медь без основания, изготовленного из ферромагнитного материала, стекло, дерево, фарфор, керамика, или фаянс.

Не пользуйтесь кухонной посудой с неровным или изогнутым дном.

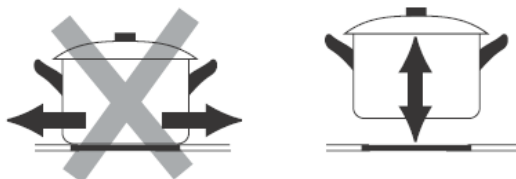


Проверьте, что основание кастрюли или сковороды является гладким, хорошо прилегает к индукционной варочной поверхности, и что диаметр посуды соответствует зоне нагрева. Используйте кухонную посуду, диаметр которой равен

диаметру выбранной зоны нагрева. При использовании посуды, диаметр которой немного превышает диаметр выбранной зоны нагрева, обеспечивается максимальная эффективность использования электроэнергии. При использовании посуды с меньшим диаметром эффективность использования электроэнергии будет снижаться. Кастрюля диаметром меньше 140 мм может не обнаруживаться варочной поверхностью. Обязательно установите кастрюлю по центру зоны нагрева.



Когда вы снимаете кастрюлю с индукционной варочной поверхности, всегда поднимайте ее, а не передвигайте по варочной поверхности, иначе вы можете поцарапать варочную поверхность.



Эксплуатация индукционной варочной поверхности

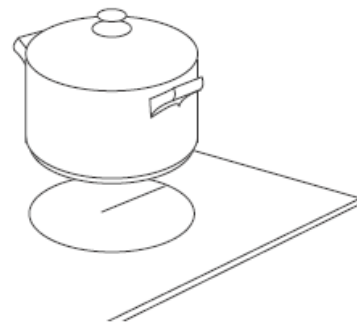
Чтобы начать приготовление пищи

1. Прикоснитесь к сенсорной клавише управления Вкл./Выкл. После включения варочной поверхности подается один звуковой сигнал, и на всех индикаторах отображается " – " или " – – ". Это указывает на то, что индукционная варочная поверхность перешла в режим ожидания.



2. Установите подходящую кастрюлю или сковороду на зону нагрева, которую вы хотите использовать.

- Проверьте, что дно кастрюли и поверхность зоны нагрева являются чистыми и сухими.



3. После прикосновения к клавише выбора зоны нагрева начинает мигать световой индикатор, расположенный рядом с клавишей выбора зоны нагрева.



4. Установите уровень нагрева с помощью клавиши "-" или "+".

- Если вы не установите уровень нагрева в течение 1 минуты, то индукционная варочная поверхность автоматически выключается. Вам потребуется повторно выполнить операции, начиная с шага 1.



- Вы можете в любое время изменить установку уровня нагрева во время выполнения процесса приготовления пищи.

Если при установке уровня нагрева мигает индикатор



Это означает, что:

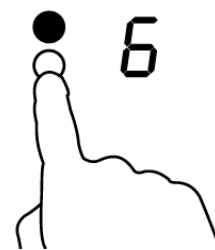
- вы не установили кастрюлю или сковороду на зону нагрева или используемая вами кухонная посуда не подходит для использования на индукционной варочной поверхности или,
- что посуда слишком мала или не установлена в центре зоны нагрева.

Если на зону нагрева не установлена подходящая посуда, то нагрев выполняться не будет.

Если на зону нагрева не установлена подходящая посуда, то через 2 минуты индикатор автоматически погаснет.

После того, как вы завершили процесс приготовления пищи

1. Прикосновение к клавише выбора зоны нагрева обеспечивает выключение зоны нагрева.



2. **Выключите зону нагрева** с помощью прокрутки вниз на "0", или с помощью одновременного нажатия клавиш "-" и "+".

Проверьте, что на индикаторе отображается "0".



3. **Выключите варочную поверхность** с помощью нажатия клавиши Вкл./Выкл.



4. Предупреждение о наличии горячих поверхностей

Загорание индикатора **H** указывает на то, что зона нагрева является слишком горячей, чтобы к ней можно было прикоснуться. Этот индикатор погаснет, когда поверхность охладится до безопасной температуры. Это можно использовать для экономии электроэнергии, если вы хотите нагреть другие кастрюли с использованием зон нагрева, которые еще остаются горячими.



Блокировка клавиш управления

- Вы можете заблокировать действие клавиш управления, чтобы предотвратить их случайное использование (например, включение зоны нагрева ребенком).
- Если клавиши управления заблокированы, то все клавиши управления варочной поверхности кроме клавиши Выкл./Выкл. не действуют.

Чтобы заблокировать клавиши управления

Прикоснитесь к клавише блокировки клавиш управления варочной поверхности. На индикаторе таймера будет отображаться " Lo "

Чтобы разблокировать клавиши управления

1. Проверьте, что индукционная варочная поверхность включена.
2. Прикоснитесь к клавише блокировки клавиш управления варочной поверхности на некоторое время (примерно около 5 секунд).
3. Теперь вы снова можете пользоваться своей индукционной варочной поверхностью.



Если варочная поверхность находится в режиме блокировки клавиш управления, то действие всех клавиш управления за исключением клавиши Вкл./Выкл. подавляется. При этом в случае необходимости вы можете выключить варочную поверхность с помощью клавиши Вкл./Выкл., но для выполнения последующих операций вы сначала должны разблокировать клавиши управления.

Защита от превышения предельной температуры

В индукционной варочной поверхности имеется датчик температуры, с помощью которого может контролироваться температура варочной поверхности. Если регистрируется слишком высокая температура, то индукционная варочная поверхность автоматически выключается.

Обнаружение маленьких предметов

Если на варочной поверхности находится кухонная посуда неподходящего размера или кухонная посуда, изготовленная из неподходящего материала (например, из алюминия), или небольшой предмет (например, нож, вилка, ключ), то через 1 минуту варочная поверхность автоматически выключается. Вентилятор будет продолжать охлаждать индукционную варочную поверхность еще одну минуту.

Автоматическое защитное отключение

Автоматическое защитное отключение является функцией защиты вашей индукционной варочной поверхности. Если вы забыли выключить варочную поверхность, то она будет выключаться автоматически. В представленной ниже таблице представлены значения времени, по истечении которого будет выполняться автоматическое отключение варочной поверхности (для различных уровней нагрева).

Уровень нагрева	1	2	3	4	5	6	7	8	9
Установка таймера по умолчанию (часы)	8	8	8	4	4	4	2	2	2

После снятия с индукционной варочной поверхности посуды варочная поверхность будет немедленно прекращать выполнение нагрева, и будет автоматически выключаться через 2 минуты.



Люди, пользующиеся кардиостимуляторами, перед тем как начать пользоваться индукционной варочной поверхностью должны проконсультироваться у доктора.

Использование таймера

Вы можете использовать таймер варочной поверхности двумя различными способами:

- Вы можете использовать его как таймер обратного отсчета. В этом случае таймер не будет отключать зону нагрева по истечении заданного времени.
- Вы можете установить его для выполнения отключения зоны нагрева по истечении заданного времени.
- Вы можете установить время срабатывания таймера до 99 минут.

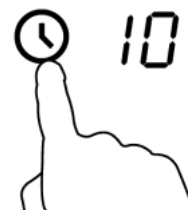
Использование таймера как таймера обратного отсчета

Если вы не выбрали определенную зону нагрева

1. Проверьте, что варочная поверхность включена.

Примечание: вы можете использовать таймер обратного отсчета, не выбирая никакой зоны нагрева.

2. Прикоснитесь к клавише управления таймера. Начинает мигать индикатор таймера обратного отсчета, и на дисплее таймера



появляется цифра "10".

3. Установите время с помощью прикосновения к клавишам управления таймера "-" или "+".

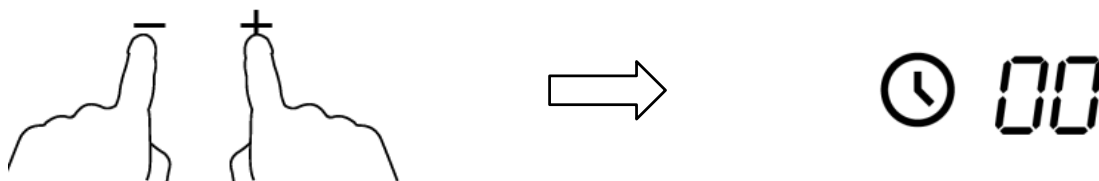


Совет: Чтобы увеличить или уменьшить установку таймера на 1 минуту, прикоснитесь к клавише управления "-" или "+" на одно мгновение.

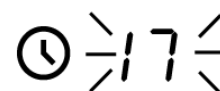
Чтобы увеличить или уменьшить установку таймера на 10 минут, прикоснитесь к клавише управления "-" или "+" на более длительное время.

Если установленное время превышает 99 минут, таймер автоматически возвращается на 00 минут.

4. Одновременное прикосновение к клавишам "-" и "+" приводит к отмене функции таймера, и на индикаторе таймера обратного отсчета отображается знак "00".



5. После установки времени таймер немедленно начинает обратный отсчет. На индикаторе таймера будет отображаться оставшееся время, и индикатор таймера будет мигать в течение 5 с.



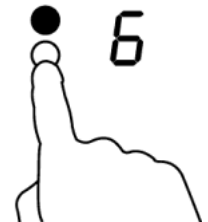
6. После окончания отсчета установленного времени на 30 с. включается звуковой сигнал, и на индикаторе таймера появляется "--".



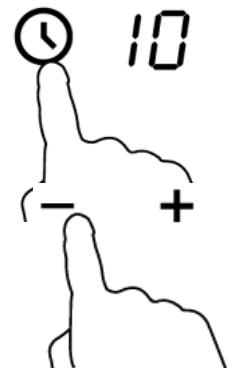
Установка таймера для выключения одной зоны нагрева

Установки зоны нагрева для выполнения этой функции:

1. Прикоснитесь к клавише выбора зоны нагрева, для которой вы хотите использовать функцию таймера.



2. Прикоснитесь к клавише управления таймера. Начинает мигать индикатор таймера обратного отсчета, и на дисплее таймера появляется цифра "10".



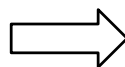
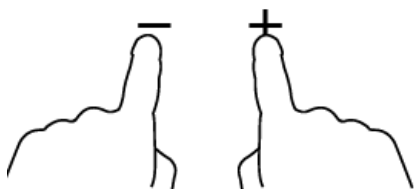
3. Установите время с помощью прикосновения к клавишам управления таймера "-" или "+".

Совет: Чтобы увеличить или уменьшить установку таймера на 1 минуту, прикоснитесь к клавише управления "-" или "+" на мгновение.

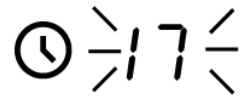
Чтобы увеличить или уменьшить установку таймера на 10 минут, прикоснитесь к клавише управления "-" или "+" на более длительное время.

Если установленное время превышает 99 минут, таймер автоматически возвращается на 00 минут.

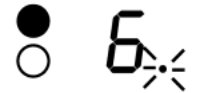
4. Одновременное прикосновение к клавишам "-" и "+" приводит к отмене функции таймера, и на индикаторе таймера обратного отсчета отображается знак "00".



5. После установки времени таймер немедленно начинает обратный отсчет. На индикаторе таймера будет отображаться оставшееся время, и индикатор таймера будет мигать в течение 5 с.



ПРИМЕЧАНИЕ: Загорание красной точки, расположенной рядом с индикатором уровня нагрева, указывает на то, что выбрана данная зона нагрева.



6. Когда заданное таймером время приготовления пищи истечет, соответствующая зона нагрева будет автоматически выключаться.



Другие зоны нагрева будут продолжать работать, если они ранее были включены.

Советы относительно приготовления пищи



При обжаривании пищи соблюдайте осторожность, так как масло и жир очень быстро нагреваются, особенно, если вы используете режим высокой мощности нагрева PowerBoost. При достижении очень высокой температуры может произойти возгорание масла или жира, что, в свою очередь, может привести к пожару.

Советы относительно приготовления пищи

- Когда пища начинает закипать, уменьшите установку уровня нагрева.
- Использование крышки на кастрюле сокращает время приготовления пищи, а также сокращает потребление электроэнергии в результате удерживания тепла.
- Для сокращения времени приготовления пищи уменьшите до минимума количество жидкости или жира.
- Начинайте готовить пищу при установке высокого уровня нагрева (температуры), и уменьшите установку температуры после того как пища нагреется.

Приготовление пищи на медленном огне, приготовление риса

- Приготовление пищи на медленном огне выполняется при температуре около 85 °C. При этом пузырьки воздуха начинают подниматься к поверхности жидкости, в которой готовится пища. Приготовление пищи на медленном огне позволит вам приготовить очень вкусные супы и нежные блюда из тушеного мяса. При таком

приготовлении пища получается ароматной и не переваривается. Вы также можете готовить при температуре ниже точки кипения соусы на основе яиц, и соусы, загущенные мукой.

- Для приготовления некоторых блюд, включая приготовление риса с использованием метода абсорбции, может потребоваться установка температуры выше минимальной установки температуры для того, чтобы пища была правильно приготовлена за рекомендованное время.

Зажаривание мяса

Чтобы приготовить сочные, ароматные бифштексы:

1. Перед приготовлением мяса выдержите его при комнатной температуре в течение приблизительно 20 минут.
2. Нагрейте сковороду с толстым дном.
3. Смажьте обе стороны куска мяса растительным маслом. Смажьте сковороду растительным маслом, а затем положите мясо на сковороду.
4. Во время приготовления мяса переверните кусок мяса только один раз. Точное время приготовления мяса будет зависеть от толщины куска мяса и от того, как вы хотите его приготовить. Время приготовления мяса может изменяться в пределах 2 - 8 минут (на каждую сторону). Надавите на кусок мяса, чтобы проверить, как оно зажарено. Чем тверже мясо, тем оно сильнее зажарено.
5. Перед подачей на стол положите зажаренное мясо на подогретую тарелку на несколько минут для того, чтобы оно стало более мягким и нежным.

Зажаривание пищи в раскаленном масле с постоянным перемешиванием

1. Выберите посуду, пригодную для использования на индукционной варочной поверхности, или большую сковороду.
2. Подготовьте все ингредиенты и посуду. Зажаривание пищи в раскаленном масле с постоянным перемешиванием должно быть быстрым. При приготовлении большого количества пищи готовьте ее небольшими порциями.
3. Быстро разогрейте сковороду и добавьте в нее две столовые ложки растительного масла.
4. Сначала приготовьте мясо, снимите его со сковороды и сохраните теплым.
5. Обжарьте овощи. Когда овощи нагреются, но будут по-прежнему оставаться ломкими, уменьшите температуру зоны нагрева, положите зажаренное мясо на сковороду и добавьте соус.
6. Осторожно перемешивайте ингредиенты, чтобы они равномерно нагрелись.
7. Подавайте на стол немедленно.

Установка уровня нагрева

Приведенные ниже установки уровня нагрева являются только рекомендательными. Фактическая установка уровня нагрева будет зависеть от ряда факторов, включая используемую кухонную посуду и количество приготавливаемой пищи. Для определения оптимальных установок следует поэкспериментировать со своей варочной поверхностью.

Установка уровня нагрева	Операция
1 - 2	<ul style="list-style-type: none">• медленное разогревание небольшого количества пищи• размягчение шоколада, распускание сливочного масла, и нагревание пищи, которая быстро пригорает• кипячение на медленном огне• медленное подогревание
3 - 4	<ul style="list-style-type: none">• разогревание пищи• быстрое кипячение• приготовление риса
5 - 6	<ul style="list-style-type: none">• приготовление оладьев
7 - 8	<ul style="list-style-type: none">• сотирование• приготовление макаронных изделий
9	<ul style="list-style-type: none">• зажаривание пищи в раскаленном масле с постоянным перемешиванием• зажаривание• доведение супа до кипения• кипячение воды

Уход и чистка

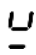
Что?	Как?	Важно!
Обычные загрязнения на стекле (следы от пальцев, другие следы, пятна от пищи или жидкости, не содержащей сахар)	<ol style="list-style-type: none">1. Отключите питание варочной поверхности.2. Нанесите на варочную поверхность чистящее средство (стекло при этом должно быть теплым, но не горячим!)3. Промойте водой и вытрите насухо с	<ul style="list-style-type: none">• Если питание варочной поверхности выключено, то индикатор "горячая поверхность" не будет гореть, но при этом зона нагрева может по-прежнему оставаться горячей. Соблюдайте предельную осторожность. Металлические мочалки для

	<p>помощью чистой ткани или бумажного полотенца.</p> <p>4. Включите питание варочной поверхности.</p>	<p>мытья посуды, некоторые нейлоновые мочалки для мытья посуды и твердые/абразивные чистящие средства могут оставлять на стекле царапины. Обязательно прочитайте информацию, представленную на ярлыке, чтобы убедиться в том, что используемое чистящее средство или мочалка для мытья посуды может использоваться для чистки вашей варочной поверхности.</p> <ul style="list-style-type: none"> • Никогда не оставляйте остатки чистящего средства на варочной поверхности: на стекле могут появиться пятна.
<p>Брызги и капли жидкости, содержащей сахар, на стекле</p>	<p>Немедленно удалите эти загрязнения с помощью ножа для разделывания рыбы, или скребка с острым лезвием, пригодным для чистки индукционной варочной поверхности. При этом соблюдайте осторожность, чтобы не получить ожог при прикосновении к горячей зоне нагрева.</p> <ol style="list-style-type: none"> 1. Отключите питание варочной поверхности. 2. Удерживая лезвие или скребок под углом 30°, соскребите загрязнения в холодную зону варочной поверхности. 3. Удалите грязь с помощью ткани или бумажного полотенца. 4. Выполните шаги с 2 по 4 параграфа "Обычные загрязнения на стекле" (см. выше). 	<ul style="list-style-type: none"> • Удаляйте пятна, образовавшиеся в результате проливания содержащей сахар пищи, и как можно быстрее. Если оставить эти загрязнения на стекле, то могут возникнуть трудности с их удалением, или при их удалении вы можете повредить стеклянную поверхность. <ul style="list-style-type: none"> • Опасность порезаться: после снятия со скребка для чистки варочной поверхности защитного колпачка обнажается очень острое лезвие. Пользуйтесь скребком для чистки варочной поверхности очень осторожно и храните его в недоступном для детей месте.
<p>Проливание пищи на сенсорные клавиши</p>	<ol style="list-style-type: none"> 1. Отключите питание варочной поверхности. 2. Намочите место, на которое была пролита пища. 3. Протрите сенсорную клавишу управления 	<ul style="list-style-type: none"> • Может включиться звуковой сигнал, после чего варочная поверхность может выключиться, и сенсорные клавиши управления могут не функционировать, если на них попала жидкость. Перед

	<p>влажной чистой губкой или тканью.</p> <p>4. Протрите насухо с помощью бумажного полотенца.</p> <p>5. Включите питание варочной поверхности.</p>	<p>повторным включением варочной поверхности протрите насухо область, на которой расположены сенсорные клавиши управления.</p>
--	--	--

Нахождение и устранение неисправностей

Проблема	Возможные причины	Что делать
Варочная поверхность не включается	Не подается электропитание.	Проверьте, что индукционная варочная поверхность подключена к электросети, и что она включена. Проверьте, что в электросети есть напряжение. Если после выполнения этих проверок проблема остается, обратитесь за помощью к квалифицированному специалисту.
Клавиши управления не действуют.	Действие клавиш управления заблокировано.	Разблокируйте клавиши управления. Для получения соответствующих инструкций обратитесь к разделу 'Эксплуатация индукционной варочной поверхности'.
Возникают трудности, связанные с использованием сенсорных клавиш управления.	На клавишах управления может быть тонкий слой воды, или вы прикасаетесь к клавишам управления концом пальца, а не подушечкой пальца.	Проверьте, что область, в которой расположены сенсорные клавиши управления, является сухой, и дотрагивайтесь до клавиш управления подушечкой пальца.
Царапины на стекле.	<p>Кухонная посуда с неровным дном.</p> <p>Используются неподходящие мочалки для посуды или абразивные чистящие средства.</p>	<p>Используйте кухонную посуду с плоским и гладким дном. См. 'Выбор подходящей кухонной посуды'.</p> <p>См. 'Уход и чистка'.</p>

<p>При использовании некоторых типов кухонной посуды слышен треск.</p>	<p>Это может быть связано с конструкцией посуды (слои разных металлов вибрируют по-разному).</p>	<p>Это нормальное явление для кухонной посуды, и это не указывает на наличие проблемы.</p>
<p>При использовании индукционной варочной поверхности с установкой высокого уровня нагрева слышен слабый шум.</p>	<p>Это связано со спецификой индукционного нагрева.</p>	<p>Это нормальное явление, но шум должен снижаться или должен полностью исчезнуть при уменьшении уровня нагрева.</p>
<p>При работе индукционной варочной поверхности слышен шум от вентилятора.</p>	<p>Для предотвращения перегрева электронных компонентов работает охлаждающий вентилятор, встроенный в вашу индукционную варочную поверхность. Он может продолжать работать некоторое время даже после выключения индукционной варочной поверхности.</p>	<p>Это нормальное явление, и не нужно выполнять никаких действий. Не выключайте индукционную варочную поверхность с помощью расположенного на стене выключателя, когда работает вентилятор.</p>
<p>Посуда не нагревается, и на дисплее отображается знак </p>	<p>Индукционная варочная поверхность не может обнаружить установленную на ней кухонную посуду из-за того, что эта посуда не годится для приготовления пищи на индукционной варочной поверхности.</p> <p>Индукционная варочная поверхность не может обнаружить установленную на ней кухонную посуду из-за того, что эта посуда слишком мала для используемой зоны нагрева, или не установлена в центре зоны нагрева.</p>	<p>Используйте кухонную посуду, пригодную для использования на индукционной варочной поверхности. См. 'Выбор подходящей кухонной посуды'.</p> <p>Установите посуду в центре зоны нагрева и проверьте, что диаметр основания посуды соответствует размеру зоны нагрева.</p>

<p>Индукционная варочная поверхность или ее зона нагрева неожиданно выключается, подается звуковой сигнал, и на дисплее отображается код ошибки (обычно это одноразрядный или двухразрядный код, отображаемый на дисплее таймера).</p>	<p>Техническая неисправность.</p>	<p>Запишите буквенно-цифровой код ошибки, выключите питание индукционной варочной поверхности с помощью, установленного на стене выключателя, и свяжитесь с квалифицированным специалистом.</p>
--	-----------------------------------	---

Никогда не пытайтесь разобрать и отремонтировать электроприбор самостоятельно.

Коды ошибок и проверки

При нарушении нормальной работы индукционной варочной поверхности варочная поверхность автоматически переходит в состояние действия защиты, и на дисплее отображается соответствующий код ошибки.

Проблема	Возможные причины	Что делать
F3-F8	Неисправен датчик температуры	Обратитесь в сервисную службу производителя.
F9-FE	Неисправен датчик температуры IGBT.	Обратитесь в сервисную службу производителя.
E1/E2	Неправильное питающее напряжение	<p>Проверьте питающее напряжение.</p> <p>После того, как будет обеспечено правильное питающее напряжение, включите электроприбор.</p>
E3/E4	Неправильная температура	Проверьте кухонную посуду.
E5/E6	Плохое рассеяние тепла, генерируемого индукционной варочной поверхностью	После того как индукционная варочная поверхность остынет, снова включите ее.

Выше представлено описание нахождения и устранения наиболее распространенных неисправностей.

Чтобы предотвратить возникновение опасностей и неисправностей индукционной варочной поверхности никогда не разбирайте индукционную варочную поверхность самостоятельно.

Сервисное обслуживание

Обслуживанием бытовой техники занимаются авторизованные сервисные центры. Список сервисных центров можно найти на сайте www.candy.ru в разделе «поддержка» или уточнить по телефону (495) 580-77-40

В случае обращения в сервисную службу будьте готовы назвать модель и серийный номер Вашего прибора. Для того, чтобы эта информация всегда находилась под рукой, впишите серийный номер в приведенную ниже таблицу «Технические характеристики»

Внимание! Серийный номер указан на этикетке, расположенной на нижней части Вашего прибора.

Серийный номер продукта состоит из 16 цифр (пример 390004851249XXXX), где:

1. Первые 8 цифр составляют заводской код продукта.
2. Следующие 4 цифры обозначают дату производства. Например, 1249, где:
12 – год производства (2012 год), 49 – 49-ая неделя года
3. Последние четыре цифры – номер продукта в партии.

Технические характеристики

Варочная поверхность, модель	CDI 30
Количество зон нагрева	2 зоны
Питающее напряжение	220-240 В~ 50/60 Гц
Установленная электрическая мощность	3500 Вт
Габаритные размеры изделия ГхШхВ (мм)	288X520X56
Размеры отверстия для встраивания АхВ (мм)	268X500
Серийный номер	

Указанные выше масса и размеры являются приблизительными. Так как мы постоянно стремимся улучшить выпускаемую нами продукцию, то мы оставляем за собой право изменять характеристики выпускаемых нами изделий без предварительного уведомления.

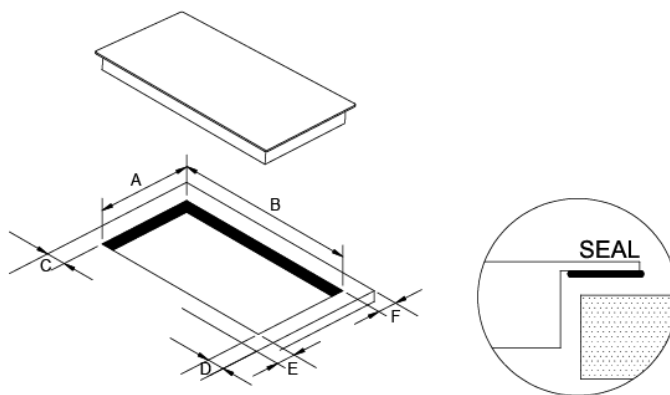
Установка

Выбор места для установки

Вырежьте отверстие в рабочей поверхности в соответствии с указанными на рисунке размерами.

Для выполнения установки и эксплуатации оборудования вокруг вырезанного отверстия должно быть свободное пространство не меньше 5 см.

Толщина рабочей поверхности должна быть не меньше 30 мм. Материал рабочей поверхности должен быть термостойким, чтобы предотвратить деформацию, вызванную нагревом от варочной поверхности. Как показано ниже:



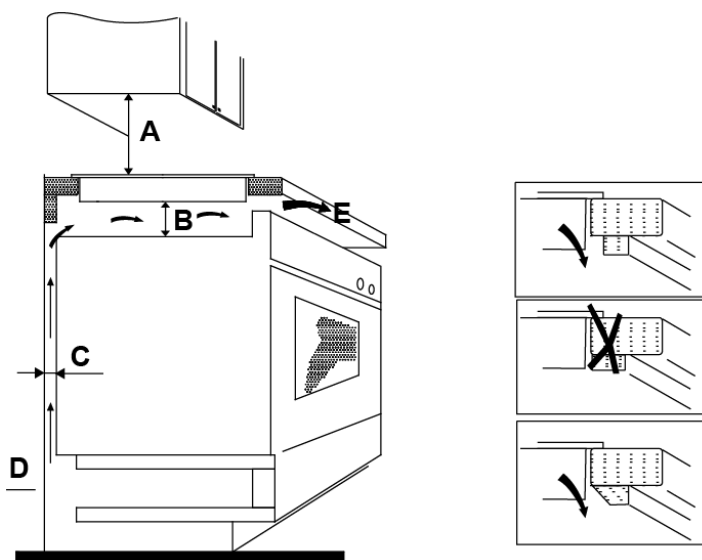
SEAL - УПЛОТНИТЕЛЬ

A (мм)	B (мм)	C (мм)	D (мм)	E (мм)	F (мм)
268 +4 -0	500 +4 -0	мин. 50	мин. 50	мин. 50	мин. 50

Обязательно проверьте, что индукционная варочная поверхность хорошо вентилируется, и что отверстия для впуска и выпуска воздуха не загораживаются. Убедитесь в том, что индукционная варочная поверхность находится в нормальном рабочем состоянии. Как показано ниже:



Примечание: Расстояние между варочной поверхностью и расположенным над ней подвесным шкафом должно быть не меньше 760 мм.



A (мм)	B (мм)	C (мм)	D	E
760	мин. 50	мин. 30	Отверстие для впуска воздуха	Отверстие для выпуска воздуха 10 мм

Перед выполнением установки варочной поверхности проверьте, что:

- рабочая поверхность является прямоугольной и расположена горизонтально, а также, что конструкционные элементы не нарушают требований относительно нужного пространства.
- рабочая поверхность стола, на которую устанавливается варочная поверхность изготовлена из термостойкого материала.
- если варочная поверхность устанавливается над духовкой, то духовка должна быть снабжена встроенным охлаждающим вентилятором

- установка должна выполняться в соответствии с требованиями относительно зазоров и в соответствии с требованиями действующих правил и норм
 - постоянная проводка должна быть снабжена разъединителем, который обеспечивает полное отсоединение электроприбора от питающей электросети, установленным в соответствии с требованиями действующих правил и норм.
- Должен использоваться разъединитель утвержденного типа с воздушным зазором между контактами, равным 3 мм на всех полюсах (или на всех фазах, если это допускается действующими электротехническими правилами и нормами).
- после установки варочной поверхности к разъединителю должен обеспечиваться удобный доступ
 - если у вас имеются сомнения относительно правильности выполнения установки электроприбора, проконсультируйтесь в компании, осуществляющей управление вашим домом
 - Поверхность стен, окружающих варочную поверхность, должна быть облицована теплостойким и легко очищаемым материалом (например, керамической плиткой).

Перед выполнением установки варочной поверхности проверьте, что:

- к шнуру питания не может осуществляться доступ через дверцы и ящики шкафа
- обеспечивается достаточный поток свежего воздуха снаружи к основанию варочной поверхности
- если варочная поверхность устанавливается над шкафом, то под основанием варочной поверхности должен быть установлен термозащитный барьер
- размыкатель линии электропитания должен быть легко доступен пользователю

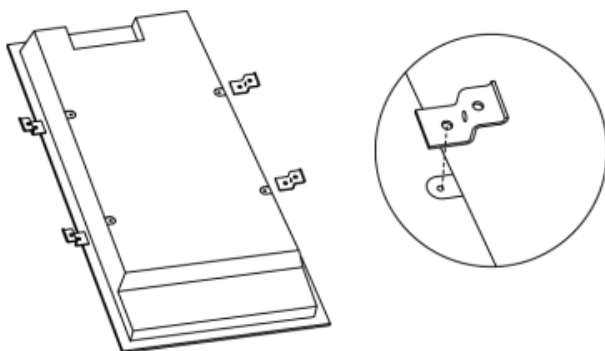
Перед установкой фиксирующих скоб

Варочная поверхность должна быть установлена на устойчивой, ровной поверхности (используйте информацию, указанную на упаковке). Не прикладывайте силу к органам управления, выступающим из варочной поверхности.

Регулировка положения фиксирующей скобы

После установки закрепите варочную поверхность на рабочей поверхности с помощью четырех скоб, расположенных на дне варочной поверхности (см. рисунок).

Отрегулируйте положение скобы в соответствии с толщиной рабочей поверхности (столешницы).



Предупреждения

1. Индукционная варочная поверхность должна устанавливаться квалифицированным специалистом. У нас имеются специалисты, которые правильно установят вам варочную поверхность. Никогда не выполняйте установку варочной поверхности самостоятельно.
2. Варочная поверхность не должна устанавливаться непосредственно над посудомоечной машиной, холодильником, морозильником, стиральной машиной, или барабанной сушилкой для белья, так как в этом случае может произойти повреждение электронных компонентов варочной поверхности в результате воздействия на них влаги.
3. Индукционная варочная поверхность должна быть установлена таким образом, чтобы обеспечивалось оптимальное рассеивание генерируемого ею тепла.
4. Стена и зона, расположенная над рабочей поверхностью, должны выдерживать воздействие тепла.
5. Слоистый материал и клей должны быть термостойкими.

Подключение варочной поверхности к электросети



Варочная поверхность должна подсоединяться к питающей электросети только квалифицированным специалистом.

Перед подключением варочной поверхности к электросети проверьте, что:

1. нагрузочная способность электропроводки в вашем доме является достаточной для потребляемой варочной поверхностью мощности
2. напряжение электросети соответствует указанному в паспортной табличке варочной поверхности
3. шнур питания может выдерживать нагрузку, указанную в паспортной табличке варочной поверхности

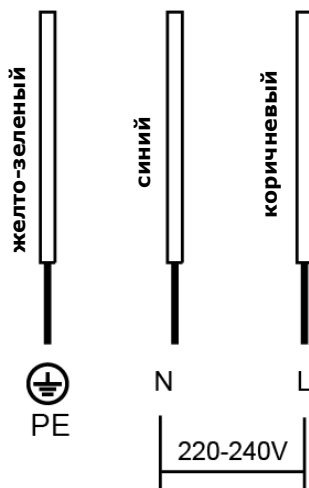
Для подключения варочной поверхности к электросети не пользуйтесь переходниками и тройниками, так это может привести к пожару.

Шнур питания не должен прикасаться к горячим деталям и должен быть расположен так, чтобы температура ни в одной из его точек не превышала 75°C.



Попросите электрика проверить, что электропроводка в вашем доме может использоваться для запитывания варочной поверхности. Все изменения в электропроводке должны выполняться опытным электриком.

Питающее напряжение должно быть подключено в соответствии с действующими электротехническими правилами и нормами, или должен использоваться однополюсный автоматический выключатель, как показано ниже.



- Для предотвращения возникновения опасных ситуаций замена поврежденного шнура питания должна выполняться сотрудником службы послепродажного обслуживания с использованием специальных инструментов.

Если электроприбор подключается к электросети напрямую, то должен быть установлен однополярный автоматический выключатель. Расстояние между контактами этого выключателя должно быть не меньше 3 мм.

Специалист, выполняющий установку оборудования, должен проверить, что электрические соединения выполнены правильно и в соответствии с действующими нормами и правилами.

Сетевой шнур не должен быть перекручен или сжат.

- Сетевой шнур должен регулярно осматриваться. Замена сетевого шнура должна выполняться только утвержденным специалистом.
- Желто-зеленый провод шнура питания должен быть подсоединен к контактам заземления, как на электроприборе, так и на электрической вилке.
- Производитель не несет ответственности за несчастные случаи, возникшие вследствие использования незаземленного электроприбора, или электроприбора, в котором нарушена непрерывность линии заземления.
- Если электроприбор подключается к электросети через электрическую розетку, то электрическая розетка должна быть установлена в доступном месте.

Гарантия производителя на бытовой прибор составляет 12 месяцев с момента приобретения.

Срок службы прибора составляет 7 лет.



Это изделие соответствует техническим регламентам Таможенного Союза:

- ТР ТС 004/2011 «О соответствии низковольтного оборудования»

- ТР ТС 020/2011 «Электромагнитная совместимость технических средств»

Изделие сертифицировано в органе по сертификации продукции и услуг «РОСТЕСТ-МОСКВА», г. Москва.

Получить копию сертификата соответствия Вы можете получить в магазине, где приобретался товар или, написав запрос на электронную почту sandymow@candy.ru



УТИЛИЗАЦИЯ: Не выбрасывайте это изделие как нерассортированные бытовые отходы. Необходимо утилизировать это изделие с выполнением сортировки используемых в нем материалов.

Данный электроприбор имеет маркировку соответствия Европейской директиве 2012/19/ЕС по утилизации электрического и электронного оборудования (WEEE). Правильная утилизация данного электроприбора предотвращает загрязнение окружающей среды и нанесение вреда здоровью людей.

Маркировка на изделии указывает на то, что данное изделие нельзя выбрасывать, как обычные бытовые отходы. Данное изделие следует отнести в пункт сбора для повторного использования используемых в нем электрических и электронных компонентов.

Для данного электроприбора требуется специальная утилизация. За более подробной информацией относительно утилизации данного изделия и повторного использования находящихся в нем материалов следует обращаться в органы местного управления, местную службу утилизации бытовых отходов или в магазин, где вы приобрели данное изделие.

За более подробной информацией относительно утилизации данного изделия и повторного использования находящихся в нем материалов следует обращаться в органы местного управления, местную службу утилизации бытовых отходов или в магазин, где вы приобрели данное изделие.

Производитель не берет на себя ответственность за ошибки в данной инструкции, возникшие в процессе печати. Производитель имеет право вносить в свои изделия изменения, которые он сочтет полезными для своих изделий, сохраняя при этом основные характеристики.