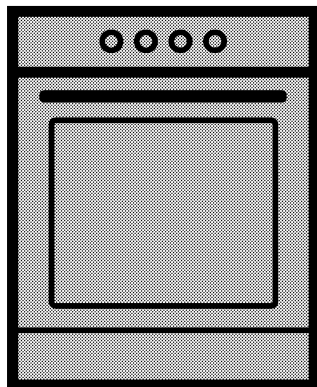


Oven

User manual



CSS 57000 G

EN | RU | PL

485.3009.44/R.AC/04.09.2015/4-1

Please read this user manual first!

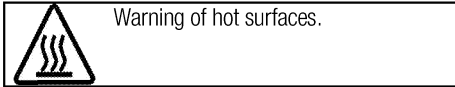
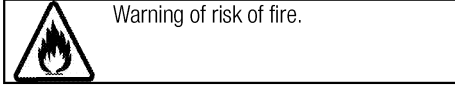
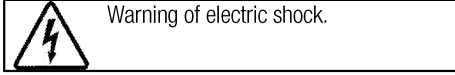
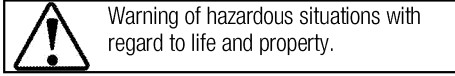
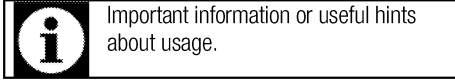
Dear Customer,

Thank you for purchasing this Beko product. We hope that you get the best results from your product which has been manufactured with high quality and state-of-the-art technology. Therefore, please read this entire user manual and all other accompanying documents carefully before using the product and keep it as a reference for future use. If you handover the product to someone else, give the user manual as well. Follow all warnings and information in the user manual.

Remember that this user manual is also applicable for several other models. Differences between models will be identified in the manual.

Explanation of symbols

Throughout this user manual the following symbols are used:



Arçelik A.Ş.

Karaağaç caddesi No:2-6
34445 Sütlüce/İstanbul/TURKEY

Made in TURKEY



This product was manufactured using the latest technology in environmentally friendly conditions.

TABLE OF CONTENTS

1 Important instructions and warnings for safety and environment 4

General safety	4
Electrical safety	4
Product safety	5
Intended use	7
Safety for children.....	7
Disposing of the old product.....	8
Package information	8

2 General information 9

Overview	9
Package contents	10
Technical specifications	11

3 Installation 12

Before installation	12
Installation and connection	12
Future Transportation.....	14

4 Preparation 15

Tips for saving energy	15
Initial use.....	15
First cleaning of the appliance	15
Initial heating.....	15

5 How to use the hob 16

General information about cooking	16
Using the hobs.....	16

6 How to operate the oven 18

General information on baking, roasting and grilling	18
How to operate the electric oven	18
Operating modes.....	19
Cooking times table.....	19
How to operate the grill.....	20
Cooking times table for grilling.....	20

7 Maintenance and care 21

General information.....	21
Cleaning the hob.....	21
Cleaning the control panel	21
Cleaning the oven	21
Removing the oven door	21
Removing the door inner glass	22
Replacing the oven lamp.....	22

8 Troubleshooting 23

1 Important instructions and warnings for safety and environment

This section contains safety instructions that will help protect from risk of personal injury or property damage. Failure to follow these instructions shall void any warranty.

General safety

- This appliance can be used by children aged from 8 years and above and persons with reduced physical, sensory or mental capabilities or lack of experience and knowledge if they have been given supervision or instruction concerning use of the appliance in a safe way and understand the hazards involved.

Children shall not play with the appliance. Cleaning and user maintenance shall not be made by children without supervision.

- Never place the product on a carpet-covered floor. Otherwise, lack of airflow beneath the product will cause electrical parts to overheat. This will cause problems with your product.
- Installation and repair procedures must always be performed by Authorized Service Agents. The manufacturer shall not be held responsible for damages arising from procedures carried out by unauthorized persons which may also void the warranty. Before

installation, read the instructions carefully.

- Do not operate the product if it is defective or has any visible damage.
- Ensure that the product function knobs are switched off after every use.

Electrical safety

- If the product has a failure, it should not be operated unless it is repaired by an Authorized Service Agent. There is the risk of electric shock!
- Only connect the product to a grounded outlet/line with the voltage and protection as specified in the “Technical specifications”. Have the grounding installation made by a qualified electrician while using the product with or without a transformer. Our company shall not be liable for any problems arising due to the product not being earthed in accordance with the local regulations.
- Never wash the product by spreading or pouring water onto it! There is the risk of electric shock!
- The product must be disconnected during installation, maintenance, cleaning and repairing procedures.

- If the power connection cable for the product is damaged, it must be replaced by the manufacturer, its service agent or similarly qualified persons in order to avoid a hazard.
- Only use the connection cable specified in the “Technical specifications”.
- The appliance must be installed so that it can be completely disconnected from the mains supply. The separation must be provided by a switch built into the fixed electrical installation, according to construction regulations.
- Rear surface of the oven gets hot when it is in use. Make sure that the electrical connection does not contact the rear surface; otherwise, connections can get damaged.
- Do not trap the mains cable between the oven door and frame and do not route it over hot surfaces. Otherwise, cable insulation may melt and cause fire as a result of short circuit.
- Any work on electrical equipment and systems should only be carried out by authorized and qualified persons.
- In case of any damage, switch off the product and disconnect it

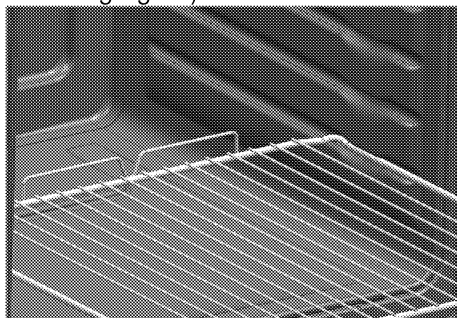
from the mains. To do this, turn off the fuse at home.

- Make sure that fuse rating is compatible with the product.

Product safety

- The appliance and its accessible parts become hot during use. Care should be taken to avoid touching heating elements. Children less than 8 years of age shall be kept away unless continuously supervised.
- Never use the product when your judgment or coordination is impaired by the use of alcohol and/or drugs.
- Be careful when using alcoholic drinks in your dishes. Alcohol evaporates at high temperatures and may cause fire since it can ignite when it comes into contact with hot surfaces.
- Do not place any flammable materials close to the product as the sides may become hot during use.
- During use the appliance becomes hot. Care should be taken to avoid touching heating elements inside the oven.
- Keep all ventilation slots clear of obstructions.
- Do not heat closed tins and glass jars in the oven. The pressure that would build-up in the tin/jar may cause it to burst.

- Do not place baking trays, dishes or aluminium foil directly onto the bottom of the oven. The heat accumulation might damage the bottom of the oven.
- Do not use harsh abrasive cleaners or sharp metal scrapers to clean the oven door glass since they can scratch the surface, which may result in shattering of the glass.
- Do not use steam cleaners to clean the appliance as this may cause an electric shock.
- Placing the wire shelf and tray onto the wire racks properly
It is important to place the wire shelf and/or tray onto the rack properly. Slide the wire shelf or tray between 2 rails and make sure that it is balanced before placing food on it (Please see the following figure).



- Do not use the product if the front door glass removed or cracked.
- Do not use the oven handle to hang towels for drying. Do not hang up towel, gloves, or similar

textile products when the grill function is at open door.

- Always use heat resistant oven gloves when putting in or removing dishes into/from the hot oven.
- Place the baking paper into the cooking pot or on to the oven accessory (tray, wire grill etc) together with the food and then insert all into the preheated oven. Remove the excess parts of the baking paper overflowing from the accessory or the pot in order to prevent the risk of touching the oven's heating elements. Never use the baking paper in an operating temperature higher than the indicated value for the baking paper. Do not place the baking paper directly on the base of the oven.
- Ensure that the appliance is switched off before replacing the lamp to avoid the possibility of electric shock.
- Unattended cooking on a hob with fat or oil can be dangerous and may result in fire. NEVER try to extinguish a fire with water, but switch off the appliance and then cover flame e.g. with a lid or a fire blanket.
- Danger of fire: Do not store items on the cooking surfaces.

- If the surface is cracked, switch off the appliance to avoid the possibility of electric shock.
- The appliance is not intended to be operated by means of an external timer or separate remote-control system.
- Vapour pressure that build up due to the moisture on the hob surface or at the bottom of the pot can cause the pot to move. Therefore, make sure that the oven surface and bottom of the pots are always dry.
- Use only hob guards designed by the manufacturer of the cooking appliance or indicated by the manufacturer of the appliance in the instructions for use as suitable or hob guards incorporated in the appliance. The use of inappropriate guards can cause accidents.

Prevention against possible fire risk!

- Ensure all electrical connections are secure and tight to prevent risk of arcing.
- Do not use damaged cables or extension cables.
- Ensure liquid or moisture is not accessible to the electrical connection point.

Intended use

- This product is designed for domestic use. Commercial use will void the guarantee.
- This appliance is for cooking purposes only. It must not be used

for other purposes, for example room heating.

- This product should not be used for warming the plates under the grill, drying towels, dish cloths etc. by hanging them on the oven door handles. This product should also not be used for room heating purposes.
- The manufacturer shall not be liable for any damage caused by improper use or handling errors.
- The oven can be used for defrosting, baking, roasting and grilling food.

Safety for children

- Accessible parts may become hot during use. Young children should be kept away.
- The packaging materials will be dangerous for children. Keep the packaging materials away from children. Please dispose of all parts of the packaging according to environmental standards.
- Electrical products are dangerous to children. Keep children away from the product when it is operating and do not allow them to play with the product.
- Do not place any items above the appliance that children may reach for.
- When the door is open, do not load any heavy object on it and do not allow children to sit on it. It may overturn or door hinges may get damaged.

Disposing of the old product

Compliance with the WEEE Directive and Disposing of the Waste Product:



This product complies with EU WEEE Directive (2012/19/EU). This product bears a classification symbol for waste electrical and electronic equipment (WEEE).

This product has been manufactured with high quality parts and materials which can be reused and are suitable for recycling. Do not dispose of the waste product with normal domestic and other wastes at the end of its service life. Take it to the collection center for the recycling of electrical and electronic equipment. Please consult your local authorities to learn about these collection centers.

Compliance with RoHS Directive:

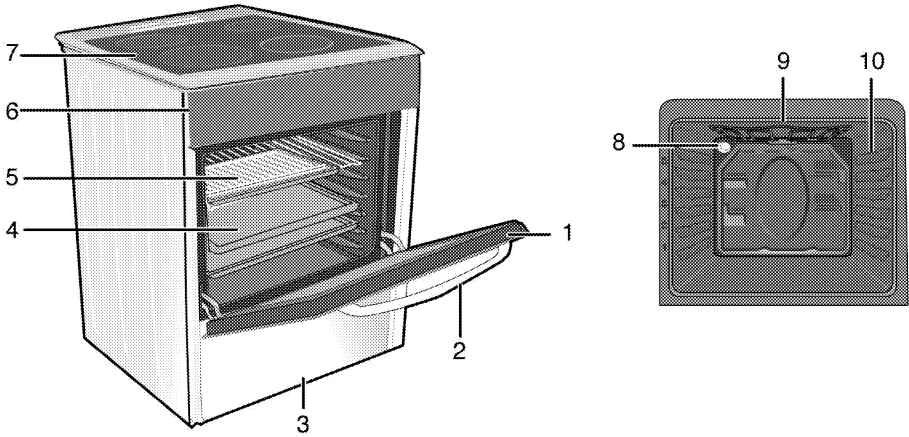
The product you have purchased complies with EU RoHS Directive (2011/65/EU). It does not contain harmful and prohibited materials specified in the Directive.

Package information

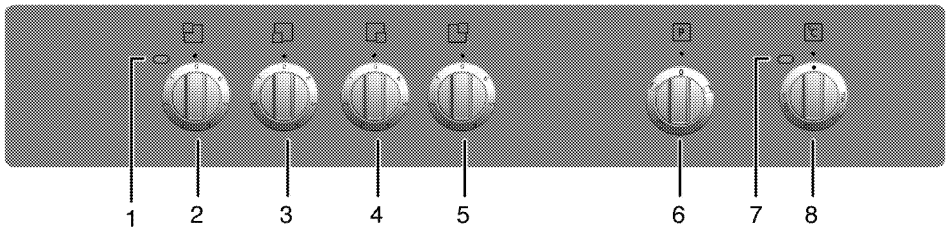
- Packaging materials of the product are manufactured from recyclable materials in accordance with our National Environment Regulations. Do not dispose of the packaging materials together with the domestic or other wastes. Take them to the packaging material collection points designated by the local authorities.

2 General information

Overview



- | | | | |
|---|------------|----|-----------------------|
| 1 | Front door | 6 | Control panel |
| 2 | Handle | 7 | Burner plate |
| 3 | Lower part | 8 | Lamp |
| 4 | Tray | 9 | Grill heating element |
| 5 | Wire shelf | 10 | Shelf positions |



- | | | | |
|---|--|---|---|
| 1 | Warning lamp | 5 | Single-circuit cooking plate Rear right |
| 2 | Single-circuit cooking plate Rear left | 6 | Function knob |
| 3 | Single-circuit cooking plate Front left | 7 | Thermostat lamp |
| 4 | Single-circuit cooking plate Front right | 8 | Thermostat knob |

Package contents

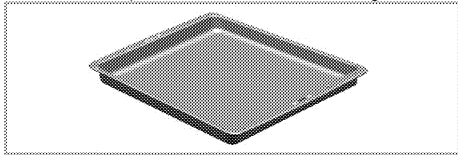


Accessories supplied can vary depending on the product model. Not every accessory described in the user manual may exist on your product.

1. **User manual**

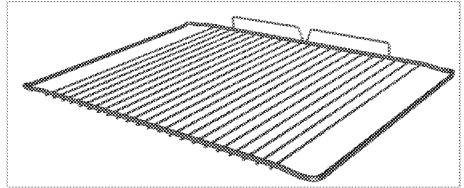
2. **Oven tray**

Used for pastries, frozen foods and big roasts.



3. **Wire Shelf**

Used for roasting and for placing the food to be baked, roasted or cooked in casserole dishes to the desired rack.



Technical specifications

GENERAL	
External dimensions (height / width / depth)	850 mm/500 mm/600 mm
Voltage / frequency	230 V/ 400 V 3N ~ 50 Hz
Total power consumption	7.7 kW
Fuse	min. 16 A x 3 / 25 A
Cable type / section	H05VV-FG 5 x 1,5 mm ² / 3 x 2,5 mm ²
HOB	
Burners	
Rear left	Single-circuit cooking plate
Dimension	140 mm
Power	1200 W
Front left	Single-circuit cooking plate
Dimension	180 mm
Power	1700 W
Front right	Single-circuit cooking plate
Dimension	140 mm
Power	1200 W
Rear right	Single-circuit cooking plate
Dimension	180 mm
Power	1700 W
OVEN/GRILL	
Main oven	Conventional oven
Inner lamp	15–25 W
Grill power consumption	1.6 kW

Basics: Information on the energy label of electrical ovens is given in accordance with the EN 60350-1 / IEC 60350-1 standard. Those values are determined under standard load with bottom-top heater or fan assisted heating (if any) functions.

Energy efficiency class is determined in accordance with the following prioritization depending on whether the relevant functions exist on the product or not. 1-Cooking with eco-fan, 2- Turbo slow cooking, 3- Turbo cooking, 4- Fan assisted bottom/top heating, 5-Top and bottom heating.



Technical specifications may be changed without prior notice to improve the quality of the product.



Figures in this manual are schematic and may not exactly match your product.



Values stated on the product labels or in the documentation accompanying it are obtained in laboratory conditions in accordance with relevant standards. Depending on operational and environmental conditions of the product, these values may vary.

3 Installation

Product must be installed by a qualified person in accordance with the regulations in force. The manufacturer shall not be held responsible for damages arising from procedures carried out by unauthorized persons which may also void the warranty.



Preparation of location and electrical installation for the product is under customer's responsibility.



DANGER:

The product must be installed in accordance with all local electrical regulations.



DANGER:

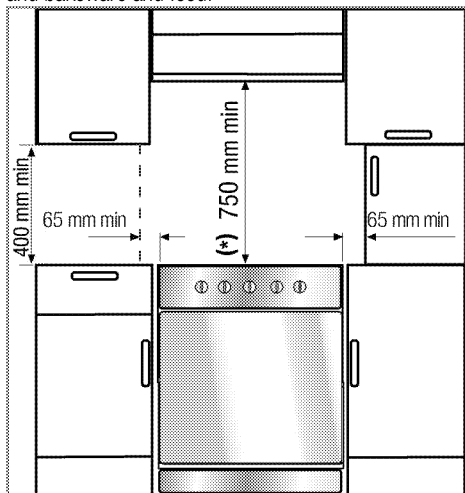
Prior to installation, visually check if the product has any defects on it. If so, do not have it installed.

Damaged products cause risks for your safety.

Before installation

To ensure that critical air gaps are maintained under the appliance, we recommend that this appliance is mounted on a solid base and that the feet do not sink into any carpet or soft flooring.

The kitchen floor must be able to carry the weight of the appliance plus the additional weight of cookware and bakeware and food.

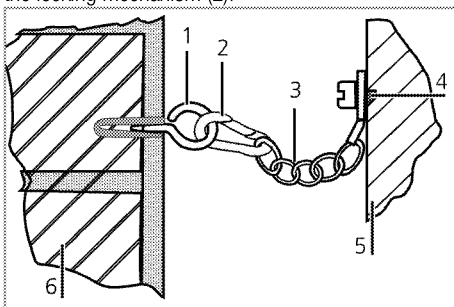


- It can be used with cabinets on either side but in order to have a minimum distance of 400mm above hotplate level allow a side clearance of 65mm between the appliance and any wall, partition or tall cupboard.

- It can also be used in a free standing position. Allow a minimum distance of 750 mm above the hob surface.
- (*) If a cooker hood is to be installed above the cooker, refer to cooker hood manufacturer' instructions regarding installation height (min 650 mm).
- The appliance corresponds to device class 1, i.e. it may be placed with the rear and **one** side to kitchen walls, kitchen furniture or equipment of any size. The kitchen furniture or equipment on the **other** side may only be of the same size or smaller.
- Any kitchen furniture next to the appliance must be heat-resistant (100 °C min.).

Safety chain

The appliance must be secured against overbalancing by using the supplied two safety chains on your oven. Fasten hook (1) by using a proper peg to the kitchen wall (6) and connect safety chain (3) to the hook via the locking mechanism (2).



- Stability hook
- Locking mechanism
- Safety chain (supplied and mounted to oven)
- Firmly fix chain to cooker rear
- Rear of cooker
- Kitchen wall



Stability chain to be as short as practicable to avoid oven tilting forward and diagonal to avoid oven side tilting.

Cooker stability chain for cookers not designed with bracket engagement slot.

Installation and connection

Product can only be installed and connected in accordance with the statutory installation rules.



Do not install the product next to refrigerators or freezers. The heat emitted by the product will increase the energy consumption of cooling appliances.

- Carry the product with at least two persons.
- Product must be placed directly on the floor. It must not be placed onto a base or a pedestal.



Do not use the door and/or handle to carry or move the product. The door, handle or hinges get damaged.

Electrical connection

Connect the product to a grounded outlet/line protected by a fuse of suitable capacity as stated in the "Technical specifications" table. Have the grounding installation made by a qualified electrician while using the product with or without a transformer. Our company shall not be liable for any damages that will arise due to using the product without a grounding installation in accordance with the local regulations.



DANGER:

The product must be connected to the mains supply only by an authorised and qualified person. The product's warranty period starts only after correct installation. Manufacturer shall not be held responsible for damages arising from procedures carried out by unauthorised persons.



DANGER:

The power cable must not be clamped, bent or trapped or come into contact with hot parts of the product. A damaged power cable must be replaced by a qualified electrician. Otherwise, there is risk of electric shock, short circuit or fire!

The mains supply data must correspond to the data specified on the type label of the product. The rating plate is either seen when the door or the lower cover is opened or it is located at the rear wall of the unit depending on the unit type.

Power cable of your product must comply with the values in "Technical specifications" table.



DANGER:

Before starting any work on the electrical installation, disconnect the product from the mains supply. There is the risk of electric shock!

Connecting the power cable

1. If a power cable is not supplied together with your product, a power cable that you would select from the table (*Technical specifications, page 11*) in accordance with the electrical installation at

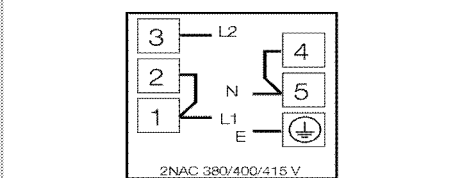
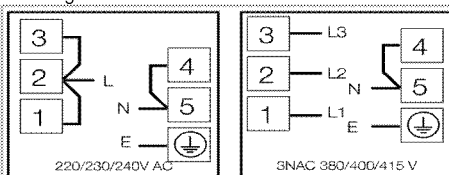
your home must be connected to your product by following the instructions in cable diagram.

If it is not possible to disconnect all poles in the supply power, a disconnection unit with at least 3 mm contact clearance (fuses, line safety switches, contactors) must be connected and all the poles of this disconnection unit must be adjacent to (not above) the product in accordance with IEE directives. Failure to obey this instruction may cause operational problems and invalidate the product warranty.



Additional protection by a residual current circuit breaker is recommended.

2. Open the terminal block cover with a screwdriver.
3. Insert the power cable through the cable clamp below the terminal and secure it to the main body with the integrated screw on cable clamping component.
4. Connect the cables according to the supplied diagram.



5. After completing the wire connections, close the terminal block cover.
6. Route the power cable so that it will not contact the product and get squeezed between the product and the wall.



Power cable must not be longer than 2m because of safety reasons.

- Push the product towards the kitchen wall.
- **Adjusting the feet of oven**
Vibrations during use may cause cooking vessels to move. This dangerous situation can be avoided if the product is level and balanced. For your own safety please ensure the product is level by adjusting the four feet at the bottom by turning left or right and align level with the work top.

Final check

1. Reconnect the product to the mains.
2. Check electrical functions.

Future Transportation

- Keep the product's original carton and transport the product in it. Follow the instructions on the carton. If you do not have the original carton, pack the product in bubble wrap or thick cardboard and tape it securely.
- To prevent the wire grill and tray inside the oven from damaging the oven door, place a strip of cardboard onto the inside of the oven door that lines up with the position of the trays. Tape the oven door to the side walls.
- Do not use the door or handle to lift or move the product.



Do not place any objects onto the product and move it in upright position.



Check the general appearance of your product for any damages that might have occurred during transportation.

4 Preparation

Tips for saving energy

The following information will help you to use your appliance in an ecological way, and to save energy:

- Use dark coloured or enamel coated cookware in the oven since the heat transmission will be better.
- While cooking your dishes, perform a preheating operation if it is advised in the user manual or cooking instructions.
- Do not open the door of the oven frequently during cooking.
- Try to cook more than one dish in the oven at the same time whenever possible. You can cook by placing two cooking vessels onto the wire shelf.
- Cook more than one dish one after another. The oven will already be hot.
- You can save energy by switching off your oven a few minutes before the end of the cooking time. Do not open the oven door.
- Defrost frozen dishes before cooking them.
- Use pots/pans with cover for cooking. If there is no cover, energy consumption may increase 4 times.
- Select the burner which is suitable for the bottom size of the pot to be used. Always select the correct pot size for your dishes. Larger pots require more energy.
- Pay attention to use flat bottom pots when cooking with electric hobs. Pots with thick bottom will provide a better heat conduction. You can obtain energy savings up to 1/3.
- Vessels and pots must be compatible with the cooking zones. Bottom of the vessels or pots must not be smaller than the hotplate.
- Keep the cooking zones and bottom of the pots clean. Dirt will decrease the heat conduction between the cooking zone and bottom of the pot.
- For long cookings, turn off the cooking zone 5 or 10 minutes before the end of cooking time. You can obtain energy savings up to 20% by using the residual heat.

Initial use

First cleaning of the appliance



The surface might get damaged by some detergents or cleaning materials.

Do not use aggressive detergents, cleaning powders/creams or any sharp objects during cleaning. Do not use harsh abrasive cleaners or sharp metal scrapers to clean the oven door glass since they can scratch the surface, which may result in shattering of the glass.

1. Remove all packaging materials.
2. Wipe the surfaces of the appliance with a damp cloth or sponge and dry with a cloth.

Initial heating

Heat up the product for about 30 minutes and then switch it off. Thus, any production residues or layers will be burnt off and removed.



WARNING

Hot surfaces cause burns!

Product may be hot when it is in use. Never touch the hot burners, inner sections of the oven, heaters and etc. Keep children away.

Always use heat resistant oven gloves when putting in or removing dishes into/from the hot oven.

Electric oven

1. Take all baking trays and the wire grill out of the oven.
2. Close the oven door.
3. Select Static position.
4. Select the highest oven power; See *How to operate the electric oven, page 18*.
5. Operate the oven for about 30 minutes.
6. Turn off your oven; See *How to operate the electric oven, page 18*

Grill oven

1. Take all baking trays and the wire grill out of the oven.
2. Close the oven door.
3. Select the highest grill power; see *How to operate the grill, page 20*.
4. Operate the grill about 30 minutes.
5. Turn off your grill; see *How to operate the grill, page 20*



Smoke and smell may emit for a couple of hours during the initial operation. This is quite normal. Ensure that the room is well ventilated to remove the smoke and smell. Avoid directly inhaling the smoke and the smell that emits.

5 How to use the hob

General information about cooking



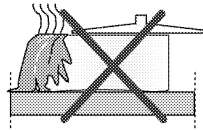
Never fill the pan with oil more than one third of it. Do not leave the hob unattended when heating oil. Overheated oils bring risk of fire. **Never attempt to extinguish a possible fire with water!** When oil catches fire, cover it with a fire blanket or damp cloth. Turn off the hob if it is safe to do so and call the fire department.

- Before frying foods, always dry them well and gently place into the hot oil. Ensure complete thawing of frozen foods before frying.
- Do not cover the vessel you use when heating oil.
- Place the pans and saucepans in a manner so that their handles are not over the hob to prevent heating of the handles. Do not place unbalanced and easily tilting vessels on the hob.
- Do not place empty vessels and saucepans on cooking zones that are switched on. They might get damaged.
- Operating a cooking zone without a vessel or saucepan on it will cause damage to the product. Turn off the cooking zones after the cooking is complete.
- As the surface of the product can be hot, do not put plastic and aluminum vessels on it. Clean any melted such materials on the surface immediately. Such vessels should not be used to keep foods either.
- Use flat bottomed saucepans or vessels only.
- Put appropriate amount of food in saucepans and pans. Thus, you will not have to make any unnecessary cleaning by preventing the dishes from overflowing. Do not put covers of saucepans or pans on cooking zones. Place the saucepans in a manner so that they are centered on the cooking zone. When you want to move the saucepan onto another cooking zone, lift and place it onto the cooking zone you want instead of sliding it.

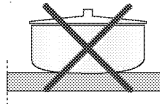
Tips about glass ceramic hobs

- Glass ceramic surface is heatproof and is not affected by big temperature differences.

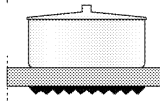
- Do not use the glass ceramic surface as a place of storage or as a cutting board.
- Use only the saucepans and pans with machined bottoms. Sharp edges create scratches on the surface.
- Do not use aluminum vessels and saucepans. Aluminum damages the glass ceramic surface.



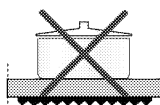
Spills may damage the glass ceramic surface and cause fire.



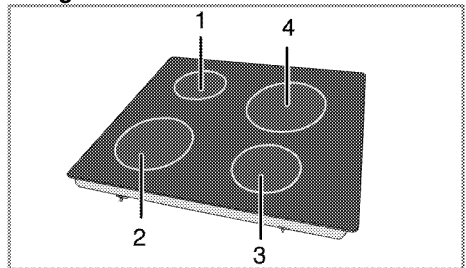
Do not use vessels with concave or convex bottoms.



Use only the saucepans and pans with flat bottoms. They ensure easier heat transfer. If the diameter of the saucepan is too small, energy will be wasted.



Using the hobs



- 1 Single-circuit cooking plate 14-16 cm
- 2 Single-circuit cooking plate 18-20 cm
- 3 Single-circuit cooking plate 14-16 cm
- 4 Single-circuit cooking plate 18-20 cm is list of advised diameter of pots to be used on related burners.

Cover of the product is connected to a gas shut off installation. When the cover is closed, the gas supply to the burner is shut off.

**DANGER:**

Do not allow any object to drop on the hob. Even small objects such as a saltshaker may damage the hob.

Do not use cracked hobs. Water may leak through these cracks and cause short circuit. In case of any kind of damage on the surface (eg., visible cracks), switch off the product immediately to minimize the risk of electric shock.

Glass ceramic hob is equipped with an operation light and a hot zone warning indicator.

Hot zone warning indicator indicates the status of the active zone and it remains lit after the plate is turned off. When the temperature of the plate cools down to a level that it can be touched by hand, warning indicator turns off. Flickering of the hot zone warning indicator is not a failure.

Turning on the ceramic plates

The hob control knobs are used for operating the plates. To obtain the desired cooking power, turn the hob control knobs to the corresponding level.

Cooking level	1	2 — 3	4 — 6
	warming	stewing, simmering	cooking, roasting, boiling

Turning off the ceramic plates

Turn the plate knob to OFF (upper) position.

6 How to operate the oven

General information on baking, roasting and grilling



WARNING

Hot surfaces cause burns!
Product may be hot when it is in use. Never touch the hot burners, inner sections of the oven, heaters and etc. Keep children away. Always use heat resistant oven gloves when putting in or removing dishes into/from the hot oven.



DANGER:

Be careful when opening the oven door as steam may escape.
Exiting steam can scald your hands, face and/or eyes.

Tips for baking

- Use non-sticky coated appropriate metal plates or aluminum vessels or heat-resistant silicone moulds.
- Make best use of the space on the rack.
- Place the baking mould in the middle of the shelf.
- Select the correct rack position before turning the oven or grill on. Do not change the rack position when the oven is hot.
- Keep the oven door closed.

Tips for roasting

- Treating whole chicken, turkey and large piece of meat with dressings such as lemon juice and black pepper before cooking will increase the cooking performance.
- It takes about 15 to 30 minutes longer to roast meat with bones when compared to roasting the same size of meat without bones.
- Each centimeter of meat thickness requires approximately 4 to 5 minutes of cooking time.
- Let meat rest in the oven for about 10 minutes after the cooking time is over. The juice is better distributed all over the roast and does not run out when the meat is cut.
- Fish should be placed on the middle or lower rack in a heat-resistant plate.

Tips for grilling

When meat, fish and poultry are grilled, they quickly get brown, have a nice crust and do not get dry. Flat pieces, meat skewers and sausages are particularly suited for grilling as are vegetables with high water content such as tomatoes and onions.

- Distribute the pieces to be grilled on the wire shelf or in the baking tray with wire shelf in such

a way that the space covered does not exceed the size of the heater.

- Slide the wire shelf or baking tray with grill into the desired level in the oven. If you are grilling on the wire shelf, slide the baking tray to the lower rack to collect fats. Add some water in the tray for easy cleaning.

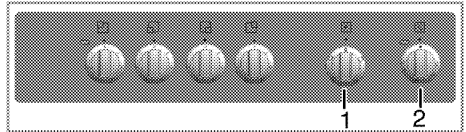


Foods that are not suitable for grilling carry the risk of fire. Only grill food which is suitable for intensive grilling heat.

Do not place the food too far in the back of the grill. This is the hottest area and fatty food may catch fire.

How to operate the electric oven

Select temperature and operating mode



1 Function knob

2 Thermostat knob

1. Set the Function knob to the desired operating mode.
2. Set the Temperature knob to the desired temperature.

» Oven heats up to the adjusted temperature and maintains it. During heating, temperature lamp stays on.

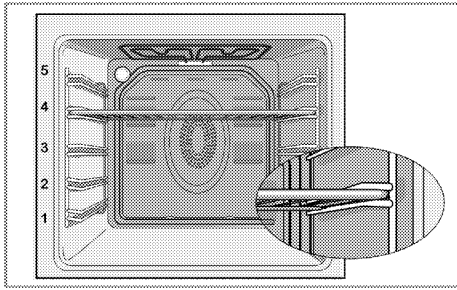
Switching off the electric oven

Turn the function knob and temperature knob to off (upper) position.

Rack positions (For models with wire shelf)

It is important to place the wire shelf onto the side rack correctly. Wire shelf must be inserted between the side racks as illustrated in the figure.

Do not let the wire shelf stand against the rear wall of the oven. Slide your wire shelf to the front section of the rack and settle it with the help of the door in order to obtain a good grill performance.



Operating modes

The order of operating modes shown here may be different from the arrangement on your product.

Top and bottom heating



Top and bottom heating are in operation. Food is heated simultaneously from the top and bottom. For example, it is suitable for cakes, pastries, or cakes and casseroles in baking moulds. Cook with one tray only.

Bottom heating



Only bottom heating is in operation. It is suitable for pizza and for subsequent browning of food from the bottom.

Grill



Small grill at the ceiling of the oven is in operation. Suitable for grilling.

- Put small or medium-sized portions in correct shelf position under the grill heater for grilling.
- Set the temperature to maximum level.
- Turn the food after half of the grilling time.

Full grill



Large grill at the ceiling of the oven is in operation. It is suitable for grilling large amount of meat.

- Put big or medium-sized portions in correct rack position under the grill heater for grilling.
- Set the temperature to maximum level.
- Turn the food after half of the grilling time.

Cooking times table



The timings in this chart are meant as a guide. Timings may vary due to temperature of food, thickness, type and your own preference of cooking.

Baking and roasting



1st rack of the oven is the **bottom** rack.

Dish	Cooking level number		Rack position	Temperature (°C)	Cooking time (approx. in min.)
**Cakes in tray	One level		3	175	30 ... 45
**Cakes in mould	One level		3	175	30 ... 50
**Cakes in cooking paper	One level		3	160 ... 170	20 ... 30
**Sponge cake	One level		3	180 ... 200	10 ... 20
**Cookies	One level		3	160 ... 170	20 ... 30
**Dough pastry	One level		3	200	20 ... 30
**Rich pastry	One level		3	190	25 ... 35
**Leaven	One level		3	190	20 ... 40
**Lasagna	One level		2	180	25 ... 45
**Pizza	One level		2	200	15 ... 25
Beef steak (whole) / Roast	One level		2	25 min. 220, then 180 ... 190	80 ... 120
Leg of Lamb (casserole)	One level		2	25 min. 220, then 180 ... 190	70 ... 100
Roasted chicken	One level		2	15 min. 220, then 190	55 ... 75
Turkey (Sliced)	One level		2	25 min. 220, then 190	70 ... 120
Fish	One level		3	200	20 ... 30

(**) In a cooking that requires preheating, preheat at the beginning of cooking until the thermostat lamp turns off.

Tips for baking cake

- If the cake is too dry, increase the temperature by 10°C and decrease the cooking time.
- If the cake is wet, use less liquid or lower the temperature by 10°C.
- If the cake is too dark on top, place it on a lower rack, lower the temperature and increase the cooking time.
- If cooked well on the inside but sticky on the outside use less liquid, lower the temperature and increase the cooking time.

Tips for baking pastry

- If the pastry is too dry, increase the temperature by 10°C and decrease the cooking time. Dampen the layers of dough with a sauce composed of milk, oil, egg and yoghurt.
- If the pastry takes too long to bake, pay care that the thickness of the pastry you have prepared does not exceed the depth of the tray.
- If the upper side of the pastry gets browned, but the lower part is not cooked, make sure that the amount of sauce you have used for the pastry is not too much at the bottom of the pastry. Try to scatter the sauce equally between the dough layers and on the top of pastry for an even browning.



Cook the pastry in accordance with the mode and temperature given in the cooking table. If the bottom part is still not browned enough, place it on one lower rack next time.

Tips for cooking vegetables

- If the vegetable dish runs out of juice and gets too dry, cook it in a pan with a lid instead of a tray. Closed vessels will preserve the juice of the dish.
- If a vegetable dish does not get cooked, boil the vegetables beforehand or prepare them like canned food and put in the oven.

How to operate the grill



WARNING

Close oven door during grilling.
Hot surfaces may cause burns!

Switching on the grill

1. Turn the Function knob to the desired grill symbol.
2. Then, select the desired grilling temperature.
3. If required, perform a preheating of about 5 minutes.

» Temperature light turns on.

Switching off the grill

1. Turn the Function knob to Off (top) position.



Foods that are not suitable for grilling carry the risk of fire. Only grill food which is suitable for intensive grilling heat.

Do not place the food too far in the back of the grill. This is the hottest area and fatty food may catch fire.

Cooking times table for grilling

Grilling with electric grill

Food	Insertion level	Grilling time (approx.)
Fish	4..5	20..25 min. #
Sliced chicken	4..5	25..35 min.
Lamb chops	4..5	20..25 min.
Roast beef	4..5	25..30 min. #
Veal chops	4..5	25..30 min. #
Toast bread	4	1..2 min.

depending on thickness

7 Maintenance and care

General information

Service life of the product will extend and the possibility of problems will decrease if the product is cleaned at regular intervals.

**DANGER:**

Disconnect the product from mains supply before starting maintenance and cleaning works.

There is the risk of electric shock!

**DANGER:**

Allow the product to cool down before you clean it.

Hot surfaces may cause burns!

- Clean the product thoroughly after each use. In this way it will be possible to remove cooking residues more easily, thus avoiding these from burning the next time the appliance is used.
- No special cleaning agents are required for cleaning the product. Use warm water with washing liquid, a soft cloth or sponge to clean the product and wipe it with a dry cloth.
- Always ensure any excess liquid is thoroughly wiped off after cleaning and any spillage is immediately wiped dry.
- Do not use cleaning agents that contain acid or chloride to clean the stainless or inox surfaces and the handle. Use a soft cloth with a liquid detergent (not abrasive) to wipe those parts clean, paying attention to sweep in one direction.



The surface might get damaged by some detergents or cleaning materials.

Do not use aggressive detergents, cleaning powders/creams or any sharp objects during cleaning.

Do not use harsh abrasive cleaners or sharp metal scrapers to clean the oven door glass since they can scratch the surface, which may result in shattering of the glass.



Do not use steam cleaners to clean the appliance as this may cause an electric shock.

Cleaning the hob

Glass ceramic surfaces

Wipe the glass ceramic surface using a piece of cloth dampened with cold water in a manner as not to leave any cleaning agent on it. Dry with a soft and dry cloth. Residues may cause damage on the glass ceramic surface when using the hob for the next time.

Dried residues on the glass ceramic surface should under no circumstances be scraped with hook blades, steel wool or similar tools.

Remove calcium stains (yellow stains) by a small amount of lime remover such as vinegar or lemon juice. You can also use suitable commercially available products.

If the surface is heavily soiled, apply the cleaning agent on a sponge and wait until it is absorbed well. Then, clean the surface of the hob with a damp cloth.



Sugar-based foods such as thick cream and syrup must be cleaned promptly without waiting the surface to cool down. Otherwise, glass ceramic surface may be damaged permanently.

Slight color fading may occur on coatings or other surfaces in time. This will not affect operation of the product.

Color fading and stains on the glass ceramic surface is a normal condition, and not a defect.

Cleaning the control panel

Clean the control panel and knobs with a damp cloth and wipe them dry.



Do not remove the control buttons/knobs to clean the control panel.

Control panel may get damaged!

Cleaning the oven

Clean oven door

To clean the oven door, use warm water with washing liquid, a soft cloth or sponge to clean the product and wipe it with a dry cloth.

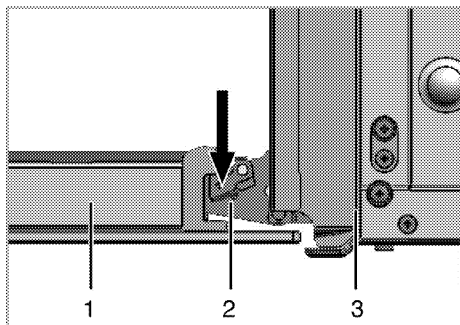


Don't use any harsh abrasive cleaners or sharp metal scrapers for cleaning the oven door.

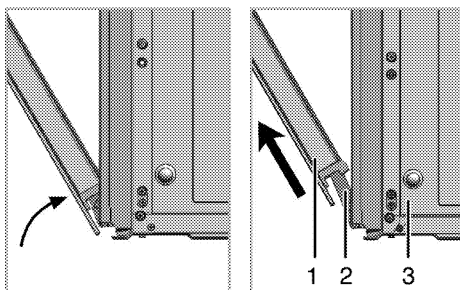
They could scratch the surface and destroy the glass.

Removing the oven door

1. Open the front door (1).
2. Open the clips at the hinge housing (2) on the right and left hand sides of the front door by pressing them down as illustrated in the figure.



- 1 Front door
- 2 Hinge
- 3 Oven



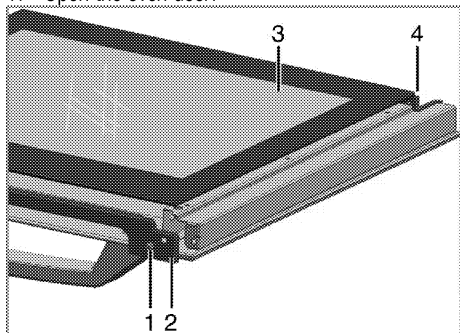
- 3. Move the front door to half-way.
- 4. Remove the front door by pulling it upwards to release it from the right and left hinges.

i Steps carried out during removing process should be performed in reverse order to install the door. Do not forget to close the clips at the hinge housing when reinstalling the door.

Removing the door inner glass

The inner glass panel of the oven door can be removed for cleaning.

- 1. Open the oven door.



- 1 Screw

- 2 Profile
 - 3 Inner glass pane
 - 4 Plastic slot
- 2. Take out the screw(1) with a screwdriver
 - 3. Take out the profile (2) than hold up to inner glass (3).
 - 4. Then group the door again, put the glass pane (3) to the plastic slots (4) and group the profile.

Replacing the oven lamp



DANGER:

Before replacing the oven lamp, make sure that the product is disconnected from mains and cooled down in order to avoid the risk of an electrical shock.

Hot surfaces may cause burns!



The oven lamp is a special electric light bulb that can resist up to 300 °C. See *Technical specifications, page 11* for details. Oven lamps can be obtained from Authorised Service Agents or technician with licence.



Position of lamp might vary from the figure.



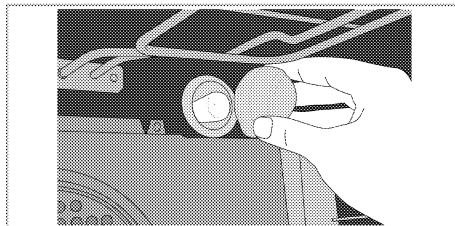
The lamp used in this appliance is not suitable for household room illumination. The intended purpose of this lamp is to assist the user to see foodstuffs.



The lamps used in this appliance have to withstand extreme physical conditions such as temperatures above 50 °C.

If your oven is equipped with a round lamp:

- 1. Disconnect the product from mains.
- 2. Turn the glass cover counter clockwise to remove it.



- 3. Remove the oven lamp by turning it counter clockwise and replace it with the new one.
- 4. Install the glass cover.

8 Troubleshooting

Oven emits steam when it is in use.

- It is normal that steam escapes during operation. >>> *This is not a fault.*

Product emits metal noises while heating and cooling.

- When the metal parts are heated, they may expand and cause noise. >>> *This is not a fault.*

Product does not operate.

- The mains fuse is defective or has tripped. >>> *Check fuses in the fuse box. If necessary, replace or reset them.*
- Product is not plugged into the (grounded) socket. >>> *Check the plug connection.*

Oven light does not work.

- Oven lamp is defective. >>> *Replace oven lamp.*
- Power is cut. >>> *Check if there is power. Check the fuses in the fuse box. If necessary, replace or reset the fuses.*

Oven does not heat.

- Function and/or Temperature are not set. >>> *Set the function and the temperature with the Function and/or Temperature knob/key.*
- Power is cut. >>> *Check if there is power. Check the fuses in the fuse box. If necessary, replace or reset the fuses.*



Consult the Authorised Service Agent or technician with licence or the dealer where you have purchased the product if you can not remedy the trouble although you have implemented the instructions in this section. Never attempt to repair a defective product yourself.

Arcelik A.S.

Karaağaç Caddesi No:2-6 Sütlüce, 34445, Turkey

Made in TURKEY

Importer in Russia: «BEKO LLC»

Address: Selskaya street, 49, Fedorovskoe village, Pershinskoe rural settlement, Kirzhach district, Vladimir region, Russian Federation 601021

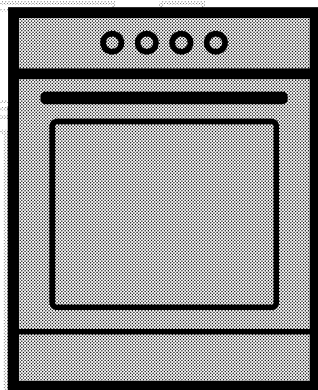
The manufacture date is included in the serial number of a product specified on rating label, which is located on a product, namely: first two figures of serial number indicate the year of manufacture, and last two – the month.

For example, "10- 100001-05" indicates that the product was produced in May, 2010.

You can ask for certification number from our Call Center 8-800-200-23-56 The manufacturer reserves the right for making changes in modification, design and specification of an electric device.

Плита

Руководство пользователя



RU

beko

Перед началом эксплуатации прочитайте это руководство пользователя!

Уважаемый покупатель!

Спасибо за то, что отдали предпочтение продукции компании «Веко». Надеемся, что это высококачественное изделие, изготовленное с применением самых современных технологий, будет демонстрировать наилучшие результаты эксплуатации. Для этого перед началом эксплуатации внимательно прочитайте это руководство и всю сопутствующую документацию и используйте его в дальнейшем в качестве справочника. Если вы передаете изделие новому владельцу, передайте ему и руководство пользователя. Придерживайтесь всех предупреждений и информации, содержащихся в руководстве.

Помните, что данное руководство пользователя также может быть применимо к некоторым другим моделям. Различия между моделями будут указаны в руководстве.

Пояснения к символам

В данном руководстве пользователя используются следующие символы:



Важная информация или полезные советы по использованию.



Предупреждение о ситуациях, опасных для жизни людей и имущества.



Предупреждение об опасности поражения электрическим током.



Предупреждение об опасности пожара.



Предупреждение о горячих поверхностях.

Производитель: компания Арчелик (Arcelik A.S.)
Юридический адрес: Караач Джаддеси № 2-6 34445
Сютлюдже/Стамбул/Турция



Произведено в Турции

<u>1</u>	<u>Важные инструкции и предупреждения по технике безопасности и охране окружающей среды</u>	<u>4</u>
	Общие правила техники безопасности	4
	Электробезопасность	4
	Безопасность изделия	6
	Использование по назначению	9
	Безопасность детей	9
	Утилизация старого изделия	10
	Утилизация упаковочных материалов	10
<u>2</u>	<u>Общие сведения</u>	<u>11</u>
	Обзор	11
	Содержание упаковки	12
	Технические характеристики	13
<u>3</u>	<u>Установка</u>	<u>14</u>
	До начала установки	14
	Установка и подключение	15
	Для будущей транспортировки	16
<u>4</u>	<u>Подготовка к эксплуатации</u>	<u>17</u>
	Рекомендации по экономии электроэнергии	17
	Подготовка к эксплуатации	17
	Очистка прибора перед началом эксплуатации	17
	Первоначальный прогрев	17
<u>5</u>	<u>Правила эксплуатации варочной панели</u>	<u>19</u>
	Общие сведения о приготовлении пищи	19
	Эксплуатация варочных панелей	20
<u>6</u>	<u>Правила эксплуатации духовки</u>	<u>21</u>
	Общие сведения о выпекании, жарении и приготовлении с грилем	21
	Правила эксплуатации электрической духовки	21
	Режимы работы	22
	Время приготовления блюд	23
	Как пользоваться грилем	24
	Время приготовления блюд на гриле	24
<u>7</u>	<u>Уход и техническое обслуживание</u>	<u>25</u>
	Общие сведения	25
	Чистка варочной панели	25
	Чистка панели управления	25
	Чистка духовки	25
	Снятие дверцы духового шкафа	26
	Снятие внутреннего стекла дверцы	26
	Замена лампочки освещения духового шкафа	26
<u>8</u>	<u>Поиск и устранение неисправностей</u>	<u>27</u>

1 Важные инструкции и предупреждения по технике безопасности и охране окружающей среды

В данном разделе содержатся инструкции по технике безопасности, которые помогут вам избежать травм и повреждений. При несоблюдении этих правил все гарантийные обязательства аннулируются.

Общие правила техники безопасности

- Это изделие может эксплуатироваться детьми старше 8 лет и людьми с ограниченными физическими, сенсорными или умственными способностями, а также лицами, не имеющими достаточного опыта и знаний, только в том случае, если они находятся под наблюдением лиц, ответственных за их безопасность, или проинструктированы на предмет безопасного использования изделия и осознают связанные с этим риски.

Следите за тем, чтобы дети не играли с устройством. Дети могут чистить и обслуживать устройство только под наблюдением.

- Не устанавливайте устройство на ковровом покрытии.

Недостаточная вентиляция под днищем устройства может привести к перегреву электрических деталей и проблемам в работе изделия.

- Работы по установке и ремонту должны выполняться только представителями авторизованной сервисной службы. Производитель не несет ответственности за повреждения в результате выполнения работ лицами, не имеющими соответствующей квалификации. Это также может привести к аннулированию гарантии. Перед установкой внимательно прочтите инструкции.
- Не пользуйтесь неисправным изделием, а также при наличии на нем заметных повреждений.
- Проверяйте, чтобы после каждого использования переключатели функций изделия были выключены.

Электробезопасность

- В случае неисправности следует прекратить эксплуатацию изделия, пока оно не будет отремонтировано в авторизованном сервисном

центре. Существует риск поражения электрическим током!

- Изделие можно подключать только к заземленной розетке/линии, напряжение и уровень защиты которой соответствуют параметрам, указанным в разделе «Технические характеристики». Установку заземления должен выполнять квалифицированный специалист (при использовании прибора с трансформатором или без него). Наша компания не несет ответственности за какие-либо проблемы, возникшие вследствие использования изделия без заземления, выполненного в соответствии с местными нормами и правилами.
- Никогда не лейте воду на изделие во время мытья! Существует риск поражения электрическим током!
- Прежде чем приступить к установке, техническому обслуживанию, чистке и ремонту, изделие необходимо отключить от электросети.
- Во избежание несчастных случаев при повреждении кабеля питания его замену

должен выполнять производитель, его специалист по сервису или лицо, имеющее аналогичную квалификацию.

- Следует использовать только соединительный кабель, указанный в разделе «Технические характеристики».
- Электроприбор следует устанавливать таким образом, чтобы его можно было полностью отсоединить от сети электропитания. Отсоединение должно осуществляться с помощью штепсельной вилки или выключателя, встроенного в фиксированную сеть электропитания, в соответствии со строительными нормативами и правилами.
- Задняя стенка духового шкафа во время работы сильно нагревается. Следите за тем, электрические провода не соприкасались с задней стенкой, так как это может привести к их повреждению.
- Следите за тем, чтобы шнур питания не был зажат между рамой и дверцей духового шкафа, и не прокладывайте его по горячим поверхностям. В противном случае изоляция кабеля может расплавиться,

что приведет к короткому замыканию и пожару.

- Все работы с электрическим оборудованием и системами должны выполняться только квалифицированными специалистами, допущенными к выполнению таких работ.
- В случае какого-либо повреждения выключите прибор и отсоедините его от электросети. Для этого выключите общий предохранитель в доме.
- Проверьте, соответствуют ли изделию номинальные характеристики предохранителя.

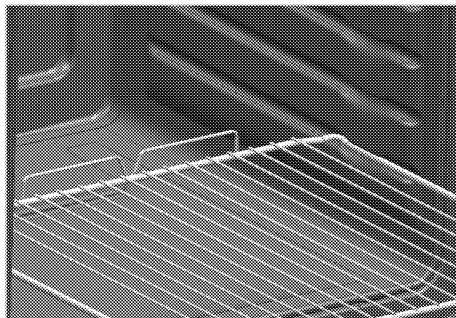
Безопасность изделия

- Данное изделие и его внешние части нагреваются в процессе использования. Будьте осторожны, не касайтесь нагревательных элементов. Детей младше 8 лет следует допускать к духовому шкафу только под постоянным присмотром взрослых.
- Не пользуйтесь прибором, находясь под воздействием алкоголя или лекарственных препаратов, снижающих скорость реакции или нарушающих координацию движений.

- Будьте осторожны при использовании спиртных напитков в приготавливаемых блюдах. При высокой температуре спирт испаряется и при соприкосновении с горячими поверхностями может загореться и вызвать пожар.
- Не располагайте рядом с прибором легковоспламеняющиеся материалы, так как во время работы его боковые поверхности могут сильно нагреваться.
- Во время работы устройство может нагреваться. Будьте осторожны, не касайтесь нагревательных элементов внутри духового шкафа.
- Следите за тем, чтобы вентиляционные отверстия были полностью открыты.
- Не разогревайте в духовом шкафу продукты в закрытых жестяных или стеклянных банках. Внутри банок может повыситься давление, что приведет к взрыву.
- Не ставьте противни или посуду непосредственно на дно духового шкафа, а также не кладите на него алюминиевую фольгу. Избыточное тепло может

привести к повреждению дна духового шкафа.

- Не используйте для чистки стеклянной дверцы духового шкафа грубые абразивные чистящие средства или острые металлические скребки, чтобы не поцарапать поверхность, поскольку это может привести к разрушению стекла.
- Не используйте для чистки устройства пароочистители, поскольку это может привести к поражению электрическим током.
- Правильное расположение проволочной решетки и противня на направляющих. Проволочную решетку и/или противень следует правильно устанавливать на направляющие. Вставьте проволочную решетку или противень между 2 направляющими и проверьте, устойчиво ли держится решетка или противень (см. рисунок). Только после этого можно класть на них продукты.



- Не пользуйтесь духовым шкафом, если стекло в передней дверце потрескалось или вынуто.
- Ручка духовки не предназначена для сушки полотенец. Если функция гриля включена, а дверца открыта, не вешайте полотенца, перчатки и другие тряпичные изделия.
- Помещая продукты в горячий духовой шкаф или вынимая их оттуда, обязательно пользуйтесь термостойкими рукавицами.
- Положите бумагу для выстилания пекарных форм в горшок для варки или на противень, решетку и т.д. вместе с приготавливаемыми пищевыми продуктами, и поместите все в предварительно нагретую печь. Удалите излишки бумаги, выступающие за пределы противня или горшка, чтобы они не смогли соприкоснуться с

нагревательными элементами. Не используйте бумагу для выстилания пекарных форм, рабочая температура которой ниже температуры в печи. Не кладите бумагу непосредственно на основание печи.

- Перед заменой лампочки убедитесь, что устройство выключено, чтобы избежать поражения электрическим током.
- При приготовлении пищи с жиром или маслом не оставляйте варочную панель без присмотра, поскольку это может привести к возгоранию. Категорически ЗАПРЕЩАЕТСЯ гасить такое пламя водой; следует выключить устройство и накрыть огонь, например, крышкой или противопожарным покрытием.
- Опасность пожара: не храните предметы на конфорках.
- Если поверхность треснула, выключите устройство во избежание поражения электрическим током.
- Конструкция данного устройства не предусматривает управление им с помощью внешнего таймера или отдельной

системы дистанционного управления.

- Следите за тем, чтобы дно посуды и поверхность конфорки были сухими, так как посуда может подпрыгивать под давлением пара, который образуется при нагревании влажных поверхностей.
- Используйте только защитные ограждения для плиты, разработанные производителем вашего кухонного оборудования или указанные производителем в руководстве пользователя вашего оборудования как подходящие для него, либо же защитные ограждения, встроенные в ваше кухонное оборудование производителем. Использование несоответствующих защитных ограждений может привести к несчастному случаю.

Для обеспечения пожарной безопасности изделия соблюдайте нижеуказанные правила.

- Убедитесь, что вилка плотно вставлена в розетку и не искрит.
- Запрещается использовать поврежденный либо обрезанный кабель, а также удлинитель; можно

пользоваться только оригинальным кабелем.

- Убедитесь, что в розетке, к которой подключается изделие, отсутствуют жидкость или влага.

Использование по назначению

- Данное изделие предназначено исключительно для бытового использования. Запрещается использовать прибор в коммерческих целях.
- Данное изделие предназначено исключительно для приготовления пищи. Его запрещено использовать для других целей, например, для обогрева помещения."
- Изделие не следует использовать с целью нагревания тарелок под грилем, сушики полотенец и посудных полотенец, путем развешивания их на ручках, а также для обогрева помещения.
- Производитель не несет ответственности за повреждения в результате использования изделия не по назначению или неправильного обращения с ним.
- Духовой шкаф можно использовать для

размораживания, выпекания, жарения и приготовления продуктов на гриле.

Безопасность детей

- Доступные части прибора могут сильно нагреваться при использовании. Не допускайте к ним детей.
- Упаковочные материалы опасны для детей. Храните упаковочные материалы в недоступном для детей месте. Утилизируйте все упаковочные материалы в соответствии с нормами по охране окружающей среды.
- Электрическое оборудование представляет опасность для детей. Во время работы духового шкафа не допускайте к нему детей, а также не разрешайте им играть с ним.
- Не размещайте над прибором предметы, которые дети могут попытаться достать.
- Не ставьте на открытую дверцу тяжелые предметы и не позволяйте детям садиться на нее, Духовой шкаф может перевернуться, а также могут быть повреждены петли дверцы.

Утилизация старого изделия

Соответствие Директиве ЕС об утилизации электрического и электронного оборудования (WEEE) и утилизация вышедшего из употребления оборудования:



Данное изделие соответствует Директиве ЕС об утилизации электрического и электронного оборудования (2012/19/EU). Данное изделие имеет маркировку, указывающую на утилизацию его как электрического и электронного оборудования (WEEE).

Это изделие произведено из высококачественных деталей и материалов, которые подлежат повторному использованию и переработке. Поэтому не выбрасывайте изделие с обычными бытовыми отходами после завершения его эксплуатации. Его следует сдать в соответствующий центр по утилизации электрического и электронного оборудования. О местонахождении таких центров вы можете узнать в местных органах власти.

Соответствие Директиве ЕС об ограничении содержания вредных веществ (RoHS):

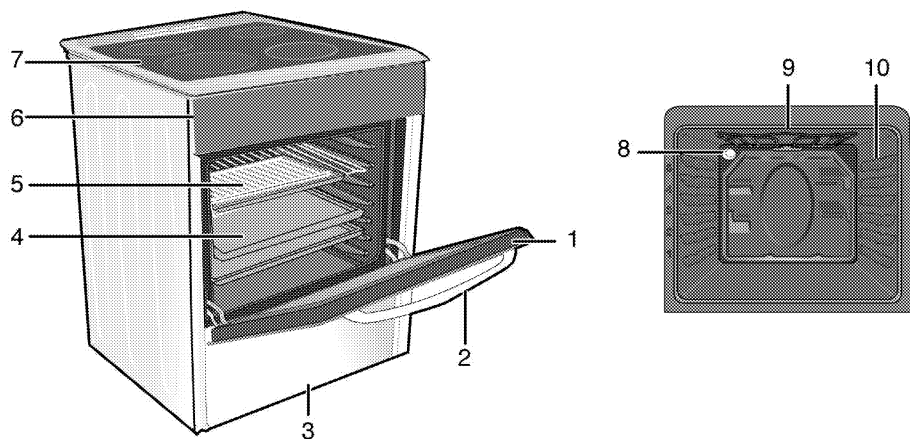
Приобретенное вами изделие соответствует Директиве ЕС о правилах ограничения содержания вредных веществ (2011/65/EU). Оно не содержит вредных и запрещенных материалов, указанных в Директиве.

Утилизация упаковочных материалов

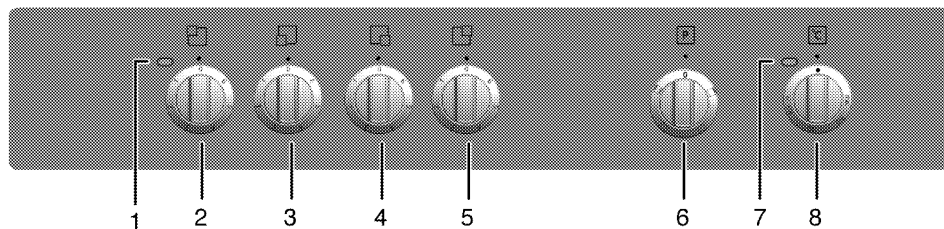
- Упаковочные материалы опасны для детей. Храните упаковочные материалы в безопасном и недоступном для детей месте. Упаковочные материалы изделия изготовлены из материалов, подлежащих вторичной переработке. Утилизируйте их соответствующим образом и сортируйте согласно инструкций по обращению с отходами, подлежащими вторичной переработке. Не утилизируйте их вместе с обычными бытовыми отходами.

2 Общие сведения

Обзор



- | | | | |
|---|---------------------|----|------------------------------|
| 1 | Передняя дверца | 6 | Панель управления |
| 2 | Ручка дверцы | 7 | Крышка конфорки |
| 3 | Нижняя часть | 8 | Лампочка |
| 4 | Противень | 9 | Нагревательный элемент гриля |
| 5 | Проволочная решетка | 10 | Положения полок |



- | | | | |
|---|--|---|--|
| 1 | Сигнальная лампочка | 5 | Одноконтурная зона нагрева Задняя правая |
| 2 | Одноконтурная зона нагрева Задняя левая | 6 | Ручка выбора функции |
| 3 | Одноконтурная зона нагрева Передняя левая | 7 | Лампочка термостата |
| 4 | Одноконтурная зона нагрева Передняя правая | 8 | Ручка термостата |

Содержание упаковки

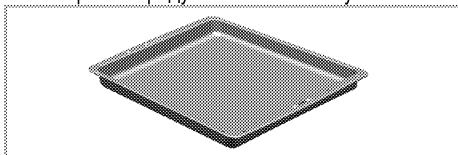


Изделие комплектуется различным набором дополнительных принадлежностей в зависимости от модели. Некоторые дополнительные принадлежности, описанные в руководстве пользователя, в комплекте этого изделия могут отсутствовать.

1. **Руководство пользователя**

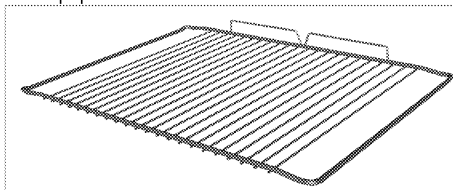
2. **Противень**

Предназначен для выпечки изделий из теста, размораживания замороженных продуктов и жарения продуктов большими кусками.



3. **Проволочная решетка**

Предназначена для жарения, а также для размещения продуктов на нужной полке при выпечке, жарении или приготовлении в формах.



Технические характеристики



ОБЩИЕ СВЕДЕНИЯ	
Габариты (высота / ширина / глубина)	850 мм/500 мм/600 мм
Напряжение/частота	230 В/ 400 В 3N ~ 50 Гц
Общая потребляемая мощность	7.7 кВт
Предохранитель	мин. 16 А x 3 / 25 А
Тип кабеля/сечение	H05VV-FG 5 x 1,5 мм ² / 3 x 2,5 мм ²
ВАРОЧНАЯ ПАНЕЛЬ	
Конфорки	
Задняя левая	Одноконтурная зона нагрева
Размеры	140 мм
Мощность	1200 Вт
Передняя левая	Одноконтурная зона нагрева
Размеры	180 мм
Мощность	1700 Вт
Передняя правая	Одноконтурная зона нагрева
Размеры	140 мм
Мощность	1200 Вт
Задняя правая	Одноконтурная зона нагрева
Размеры	180 мм
Мощность	1700 Вт
ДУХОВКА/ГРИЛЬ	
Главный духовой шкаф	Обычный духовой шкаф
Лампочка внутреннего освещения	15–25 Вт
Гриль: потребляемая мощность	1.6 кВт
Класс защиты -1	


Степень защиты IP 44

- # Основные сведения Данные на паспортной табличке энергопотребления электрических духовых шкафов приведены в соответствии со стандартом EN 60350-1 / IEC 60350-1. Эти данные определены при стандартной нагрузке с функциями нижнего-верхнего нагревательного элемента или нагрева с помощью вентилятора (при наличии).

Класс энергетической эффективности определен в соответствии с приведенными ниже приоритетами в зависимости от наличия или отсутствия соответствующих функций в изделии. 1 - Приготовление с вентилятором - экономичный режим, 2 - Медленное приготовление в турборежиме, 3 - Приготовление в турборежиме, 4 - Нагрев сверху и снизу с вентилятором, 5 - Нагрев сверху и снизу.

«Этикетка энергоэффективности представлена на продукте»

	При усовершенствовании качества продукции технические характеристики могут быть изменены без предварительного уведомления.
	Иллюстрации в данном руководстве являются схематичными и могут несколько отличаться от конкретного изделия.

	Значения, указанные на этикетках изделия или в сопроводительной документации, получены в лабораторных условиях согласно соответствующим стандартам. Эти данные могут быть иными в зависимости от условий эксплуатации изделия.
---	--

3 Установка

Прибор должен устанавливаться квалифицированным специалистом в соответствии с действующими нормами и правилами. В противном случае гарантия аннулируется. Производитель не несет ответственности за повреждения в результате выполнения работ лицами, не имеющими соответствующей квалификации. Это может привести к аннулированию гарантии.



Подготовка места установки, электрического оборудования обеспечивается покупателем.



ОПАСНО:

Бытовой прибор следует устанавливать в соответствии со всеми местными нормами по подключению газового и/или электрического оборудования.

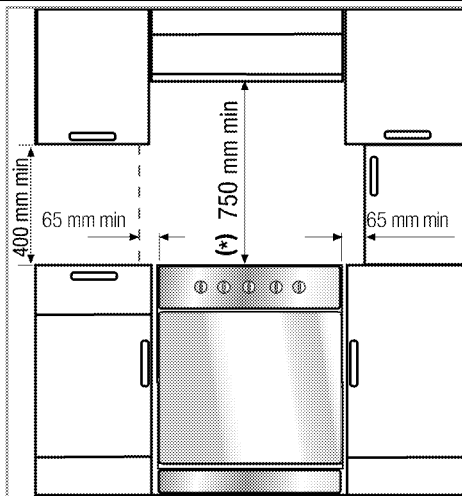


ОПАСНО:

Прежде чем приступить к установке, визуально проверьте отсутствие внешних дефектов духового шкафа. При наличии дефектов не устанавливайте его. Поврежденные электроприборы представляют собой угрозу вашей безопасности.

До начала установки

Для того чтобы обеспечить наличие необходимых зазоров для циркуляции воздуха под плитой, рекомендуем устанавливать ее на твердом основании так, чтобы ножки не погружались в ковер или мягкое напольное покрытие. Кухонный пол должен выдерживать вес прибора с учетом веса посуды и продуктов.



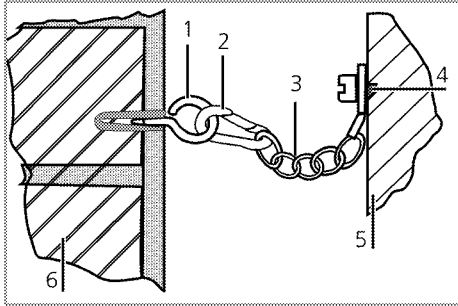
- Ее можно использовать с кухонными шкафами с обеих сторон, однако следует оставить свободное пространство минимум 400 мм над уровнем конфорок, а также боковое свободное пространство не менее 65 мм между плитой и стеной, перегородкой или высоким кухонным шкафом.
- Плита может также стоять отдельно. Обеспечьте свободное расстояние не менее 750 мм от поверхности плиты до поверхностей над ней.
- В случае установки надплитного воздухоочистителя соблюдайте инструкции его производителя в отношении высоты монтажа устройства (мин. 650 мм).
- Это устройство соответствует требованиям к приборам класса 1, и его можно устанавливать так, чтобы задняя и **одна** из боковых стенок примыкали к стенам помещения, стенкам кухонных шкафчиков или бытовых приборов любой высоты. Кухонная мебель или бытовые приборы, примыкающие с **другой** стороны, должны быть не выше прибора.
- Вся кухонная мебель, рядом с которой устанавливается устройство, должна быть термостойкой (не менее 100 °C).

Предохранительная цепь

Для обеспечения устойчивости изделия его необходимо закрепить с помощью двух

предохранительных цепей, входящих в комплект поставки.

С помощью соответствующего дюбеля установите крючок (1) в стене кухни (6), а затем подсоедините предохранительную цепь (3) к крючку с помощью карабина (2).



- 1 Крючок
- 2 Карабин
- 3 Предохранительная цепь
- 4 Прочно закрепите цепь с задней стороны плиты
- 5 Задняя сторона плиты
- 6 Стена кухни



Предохранительная цепь должна быть как можно короче, чтобы исключить опрокидывание изделия как вперед, так и в сторону.

В конструкции предохранительной цепи для плиты нет гнезда для крепления скобы.

Установка и подключение

Прибор следует устанавливать и подключать в соответствии с действующими нормами и правилами.



Не устанавливайте изделие рядом с холодильником или морозильной камерой. Поскольку духовой шкаф излучает тепло, холодильники будут потреблять больше электроэнергии.

- Переносить прибор должны не менее двух человек.
- Прибор следует устанавливать прямо на пол. Не устанавливайте прибор на подставки.



Не перемещайте устройство, держась за дверцу и/или за ручку дверцы. Дверца, ручка или петли могут повредиться.

Подключение к электросети

Подключайте прибор к розетке или линии с заземлением, защищенную предохранителем, мощность которого соответствует данным, приведенным в таблице "Технические характеристики". Установку заземление должен выполнять квалифицированный специалист (при использовании прибора с трансформатором или без него). Наша компания не несет ответственности за ущерб, понесенный вследствие использования прибора без заземления, выполненного в соответствии с местными нормами и правилами.



ОПАСНО:

Подключение прибора к электросети должен выполнять квалифицированный специалист, имеющий право на выполнение таких работ. Гарантийный период начинается только после правильной установки.

Производитель не несет ответственности за повреждения в результате выполнения работ лицами, не имеющими соответствующей квалификации.



ОПАСНО:

Шнур питания не должен быть сдавлен, изогнут или зажат, а также не должен соприкасаться с нагревающимися компонентами изделия.

Замену поврежденного шнура питания должен выполнять квалифицированный электрик. В противном случае это может привести к поражению электрическим током, короткому замыканию или возгоранию!

Параметры электрической сети должны соответствовать данным, указанным на паспортной табличке прибора. Паспортную табличку можно увидеть либо при открытой дверце или нижней крышке, либо на задней стенке прибора, в зависимости от типа прибора. Шнур питания прибора должен соответствовать параметрам, указанным в таблице "Технические характеристики".



ОПАСНО:

Перед выполнением каких-либо электромонтажных работ отключите прибор от электрической сети. Существует риск поражения электрическим током!

Подключение кабеля питания

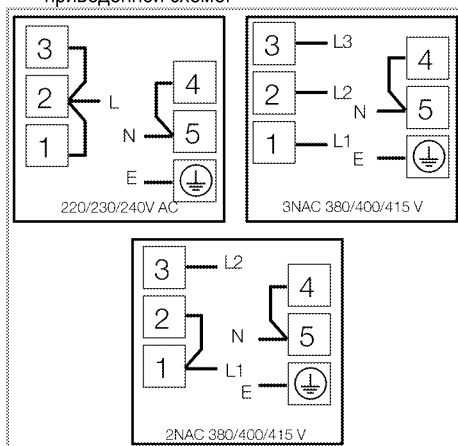
1. Если кабель питания не входит в комплект поставки, необходимо выбрать кабель питания по таблице (Технические характеристики, стр. 13) соответственно типу электрической сети в вашем доме и выполнить подключение в соответствии с приведенной схемой.

Если нет возможности установить автоматический выключатель на все контакты, то в соответствии с директивами МЭК следует использовать для подключения размыкатели с контактным зазором не менее 3 мм (плавкие предохранители, защитные сетевые выключатели, замыкатели). Место подключения должно находиться рядом с прибором, но не над плитой. Несоблюдение этих указаний может вызвать проблемы в процессе эксплуатации, а также привести к аннулированию гарантии на прибор.



В качестве дополнительной меры безопасности рекомендуется использовать устройство защитного отключения.

2. Снимите крышку клеммной коробки с помощью отвертки.
3. Вставьте кабель питания под клеммный зажим под клеммами и закрепите его с помощью винта, вставленного в этот зажим.
4. Присоединяйте провода согласно приведенной схеме.



5. После подсоединения проводов закройте крышку клеммной коробки.

6. Следите за тем, чтобы подключенный кабель питания не прикасаясь к прибору и не был зажат между прибором и стеной.



По причинам безопасности длина кабеля питания не должна превышать 2 м.

- Придвиньте прибор к стене кухни.
- **Регулирование ножек духовки**
При наличии вибрации посуда во время приготовления может сдвигаться. Для предотвращения опасных ситуаций необходимо, чтобы прибор стоял ровно и устойчиво.
В целях безопасности, выровняйте прибор с помощью 4 регулируемых ножек ножки. Для этого поворачивайте их влево и вправо до тех пор, пока прибор не будет ровно стоять на столешнице.

Окончательная проверка

1. Включите прибор в сеть.
2. Проверьте, работают ли электрические компоненты.

Для будущей транспортировки

- Сохраните оригинальную упаковочную коробку и перевозите прибор в ней. Следуйте указаниям, нанесенным на упаковке. Если оригинальная упаковочная коробка не сохранилась, заверните изделие в пузырчатую упаковку или поместите в плотный картон. Надежно заклейте клейкой лентой.
- Чтобы проволочная решетка и противень, которые хранятся внутри духовки, не повредили дверцу, поместите с внутренней стороны дверцы картонную полоску вровень с противнями. Прикрепите дверцу духового шкафа к боковым стенкам клейкой лентой.
- Не поднимайте и не передвигайте духовой шкаф, держась за дверцу или за ручку дверцы.



Не размещайте на приборе никаких предметов и не ставьте его вертикально.



Осмотрите прибор снаружи на предмет возможных повреждений при транспортировке.

4 Подготовка к эксплуатации

Рекомендации по экономии электроэнергии

Эти рекомендации помогут вам использовать изделия экологически чистым способом и сэкономить электроэнергию.

- Используйте в духовом шкафу темную или эмалированную посуду: это позволит улучшить теплопередачу.
- Прогревайте духовой шкаф перед приготовлением пищи, если это рекомендуется в руководстве пользователя или в инструкциях по приготовлению продуктов.
- Во время приготовления пищи не открывайте дверцу духового шкафа слишком часто.
- По возможности старайтесь готовить в духовом шкафу несколько блюд одновременно. При приготовлении пищи на решетку можно устанавливать по две емкости с продуктами.
- Готовьте блюда одно за другим. Духовой шкаф уже будет прогрет.
- Для экономии электроэнергии можно выключать духовой шкаф за несколько минут до окончания приготовления блюда. Не открывайте дверцу духового шкафа.
- Размораживайте замороженные продукты перед приготовлением.
- Готовьте пищу в закрытой посуде. При приготовлении в открытой посуде энергопотребление может возрасти в 4 раза.
- Выбирайте конфорку соответственно размеру дна посуды. Обязательно выбирайте посуду соответственно объему приготовляемого блюда. Чем больше объем посуды, тем выше энергопотребление.
- Для приготовления пищи на электрических конфорках используйте посуду только с плоским дном. Посуда с толстым дном лучше проводит тепло, что позволяет на треть сократить потребление энергии.
- Размер посуды должен соответствовать размеру зон нагрева. Не следует использовать посуду с дном меньшего диаметра, чем диаметр конфорки.
- Следите за тем, чтобы зоны нагрева и дно посуды были чистыми. Загрязнения

ухудшают теплопередачу между зоной нагрева и дном посуды.

- Если блюдо готовится долго, выключайте зону нагрева за 5-10 минут до окончания приготовления. Использование остаточного тепла позволяет сэкономить до 20% электроэнергии.

Подготовка к эксплуатации

Очистка прибора перед началом эксплуатации



Некоторые моющие средства и чистящие материалы могут повредить поверхность. Не используйте для чистки агрессивные моющие средства, чистящие порошки/кремы, а также острые предметы.

1. Снимите все упаковочные материалы.
2. Протрите поверхность прибора влажной тканью или губкой и вытрите насухо.

Первоначальный прогрев

Прогрейте прибор в течение 30 минут, а затем выключите. Это обеспечит выгорание и удаление производственных загрязнений и покрытий.



ПРЕДУПРЕЖДЕНИЕ!

Горячие поверхности могут причинить ожоги!

Во время работы прибор может сильно нагреваться. Не прикасайтесь к горячим конфоркам, внутренним частям духового шкафа, нагревательным элементам и т.п. Не разрешайте детям приближаться к нему.

Помещая продукты в горячий духовой шкаф или вынимая их оттуда, обязательно пользуйтесь термостойкими перчатками.

Электрический духовой шкаф

1. Выньте из духового шкафа все противни и решетку.
2. Закройте дверцу духового шкафа.
3. Выберите положение Static (Статический)
4. Включите гриль на максимальную мощность (см. раздел *Правила эксплуатации электрической духовки*, стр. 21).
5. Дайте духовому шкафу поработать около 30 минут.
6. Затем выключите духовой шкаф (см. раздел *Правила эксплуатации электрической духовки*, стр. 21)

Духовой шкаф с грилем

1. Выньте из духового шкафа все противни и решетку.
2. Закройте дверцу духового шкафа.
3. Включите гриль на максимальную мощность (см. раздел *Как пользоваться грилем*, стр. 24).
4. Дайте духовому шкафу поработать около 30 минут.
5. Затем выключите духовой шкаф (см. раздел *Как пользоваться грилем*, стр. 24).



При первом включении в течение нескольких часов возможно выделение дыма и запаха. Это вполне нормально.

Убедитесь, что кухня хорошо проветривается, чтобы удалить дым и запах. Не вдыхайте выделяющиеся дым и запахи.

5 Правила эксплуатации варочной панели

Общие сведения о приготовлении пищи



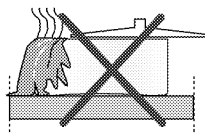
Не заполняйте кастрюлю растительным маслом более чем на одну треть. При нагревании масла не оставляйте варочную панель без присмотра. Остерегайтесь возгорания раскаленных масел. **Не тушите огонь водой!** При возгорании масла накройте посуду одеялом или влажной тканью. По возможности выключите варочную панель и позвоните в пожарную службу.

- Перед жареньем продукты нужно обязательно обсушивать. Опускайте продукты в горячий жир с осторожностью. Замороженные продукты перед жареньем следует полностью разморозить.
- Посуду, в которой разогревается жир, накрывать нельзя.
- Посуду следует ставить на плиту таким образом, чтобы ручки не нагревались над горячей поверхностью плиты. Не ставьте на плиту неустойчивую посуду, которая легко опрокидывается.
- Не ставьте на включенные конфорки пустую посуду – это может привести к ее повреждению.
- Не оставляйте включенными конфорки, на которых нет посуды – это может привести к повреждению плиты. Обязательно выключайте конфорки после окончания приготовления пищи.
- Не ставьте на плиту пластмассовую или алюминиевую посуду, так как на горячей поверхности они могут расплавиться. Расплавившиеся материалы следует сразу же счищать с поверхности. Такую посуду также не следует использовать для хранения пищевых продуктов.
- Можно использовать только посуду с плоским дном.
- Размер посуды должен соответствовать количеству продуктов. Тогда продукты не

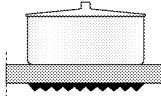
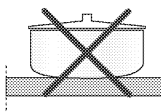
будут выплескиваться из посуды, и не придется лишний раз мыть плиту. Не кладите на конфорки крышки кастрюль. Размещайте посуду по центру конфорки. Если нужно переместить посуду на другую конфорку, поднимите ее и переставьте. Ни в коем случае не передвигайте посуду по поверхности плиты.

Советы по использованию стеклокерамических варочных панелей

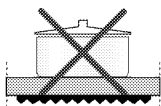
- Стеклокерамическая поверхность устойчива к нагреву и большим перепадам температуры.
- Не кладите на стеклокерамическую поверхность продукты и другие предметы и не используйте ее в качестве разделочной доски.
- Используйте посуду только с гладким дном. Посуда с острыми краями может поцарапать поверхность.
- Не используйте алюминиевую посуду, так как алюминий может повредить стеклокерамическую поверхность.



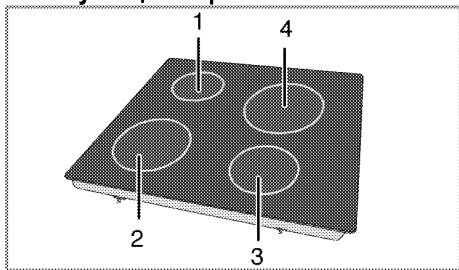
Выплеснувшиеся продукты могут повредить стеклокерамическую поверхность, и тем самым вызвать пожар. Не используйте посуду с вогнутым или выпуклым дном.



Используйте посуду только с плоским дном. Такая посуда нагревается быстро и равномерно. Если диаметр посуды слишком мал, энергия будет расходоваться впустую.



Эксплуатация варочных панелей



- 1 Одноконтурная зона нагрева 14-16 см
- 2 Одноконтурная зона нагрева 18-20 см
- 3 Одноконтурная зона нагрева 14-16 см
- 4 Одноконтурная зона нагрева 18-20 см список рекомендованных диаметров посуды для использования на соответствующих конфорках.

Крышка прибора соединена с устройством, перекрывающим подачу газа. При закрытой крышке газ к горелкам не подается.



ОПАСНО:

Следите за тем, чтобы на варочную панель ничего не упало. Даже небольшие предметы (например, солонка) могут повредить варочную панель.

Не пользуйтесь варочной панелью, если на ней есть трещины. В трещины может попасть вода и вызвать короткое замыкание.

При обнаружении на поверхности каких-либо повреждений (например, трещин) немедленно выключите электроприбор во избежание поражения электрическим током.

Стеклокерамическая варочная панель оснащена индикатором питания и индикатором остаточного тепла.

Индикатор остаточного тепла указывает, какая зона нагрева включена. После выключения зоны нагрева индикатор остается включенным.

Индикатор остаточного тепла погаснет, когда температура зоны нагрева снизится до уровня, при котором ее можно касаться рукой. Мигание индикатора остаточного тепла не является неисправностью.

Включение стеклокерамических зон нагрева

Для управления стеклокерамическими зонами нагрева пользуйтесь их кнопками. Чтобы установить нужный уровень мощности, переведите регулятор зоны нагрева в соответствующее положение.

Уровень мощности	1	2 – 3	4 – 6
	разогревание	кипячение, выдерживание	варка, жарение

Выключение стеклокерамических зон нагрева

Поверните регулятор конфорки в положение «ВЫКЛ.» (вверх).

6 Правила эксплуатации духовки

Общие сведения о выпекании, жарении и приготовлении с грилем



ПРЕДУПРЕЖДЕНИЕ!

Горячие поверхности могут причинить ожоги!

Во время работы прибор может сильно нагреваться. Не прикасайтесь к горячим конфоркам, внутренним частям духового шкафа, нагревательным элементам и т.п. Не разрешайте детям приближаться к нему.

Помещая продукты в горячий духовой шкаф или вынимая их оттуда, обязательно пользуйтесь термостойкими рукавицами.



ОПАСНО:

Будьте осторожны, открывая дверцу духового шкафа, так как наружу может выходить пар.

Выпускаемый пар может обжечь вам руки, лицо и/или глаза.

Советы по выпеканию

- Используйте антипригарные металлические тарелки или алюминиевые контейнеры с соответствующим покрытием, либо термостойкие силиконовые формы.
- Рационально используйте площадь решетки.
- Устанавливайте форму для выпекания в середине решетки.
- Выбирайте правильное положение решетки перед включением духового шкафа или гриля. Не изменяйте положение решетки, когда духовой шкаф горячий.
- Держите закрытой дверцу шкафа.

Советы по приготовлению жареных блюд

- Тушку курицы или индейки и большие куски мяса перед приготовлением рекомендуется сбрызнуть лимонным соком и посыпать черным перцем. Тогда готовое блюдо будет вкуснее.
- Мясо с костями следует жарить на 15-30 минут дальше, чем такое же количества мяса без костей.
- На каждый сантиметр толщины мяса требуется приблизительно 4-5 минут времени приготовления.
- По истечении времени приготовления мяса оставьте его в духовом шкафу примерно на 10 минут. Сок лучше распределится внутри

куска жареного мяса и не будет вытекать, когда вы будете разрезать мясо.

- Рыбу в термостойкой посуде следует готовить на решетке, установленной на средний или нижний уровень.

Советы по приготовлению продуктов на гриле

При приготовлении на гриле мясо, рыба или птица быстро подрумянивается, сверху образуется хрустящая корочка, и продукт не пересыхает. На гриле можно отлично приготовить не только тонкие куски мяса, шашлыки и сосиски, но и овощи с большим содержанием жидкости (например, помидоры и лук).

- Для приготовления на гриле разложите куски продуктов на решетке или на противне с решеткой так, чтобы площадь, занимаемая продуктами, соответствовала размерам нагревательного элемента.
- Вставьте решетку или противень с решеткой в духовку на нужный уровень. Если продукты готовятся на решетке, установите на нижний уровень поддон для сбора жира. Для облегчения чистки поддона налейте в него немного воды.

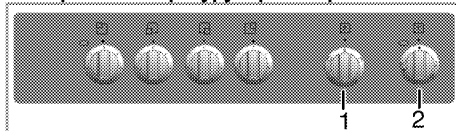


Продукты, которые не подходят для приготовления на гриле, могут привести к возгоранию. На гриле можно готовить только такие продукты, которые выдерживают интенсивный нагрев.

Не размещайте продукты слишком близко к задней части гриля. Эта зона нагревается сильнее всего, и жирные продукты могут загореться.

Правила эксплуатации электрической духовки

Выберите температуру и режим работы



- 1 Ручка выбора функции
- 2 Ручка термостата

1. Установите нужный режим работы с помощью ручки выбора функций.
2. Установите нужную температуру с помощью регулятора температуры.

» После нагрева духовки в ней будет поддерживаться заданная температура. Во время нагрева будет светиться индикатор температуры.

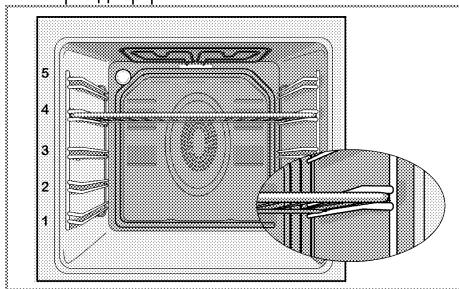
Выключение электрической духовки

Поверните ручку выбора функций и регулятор температуры в положение отключения (вверх).

Уровни духовки (для моделей с грилем)

Правильно устанавливайте решетку в направляющие. Решетку следует вставить между направляющими, как показано на рисунке.

Следите за тем, чтобы решетка не упиралась в заднюю стенку духовки. Чтобы гриль нормально работал, выдвиньте решетку к передней части направляющих и отрегулируйте ее положение с помощью дверцы.



Режимы работы

Приведенная здесь последовательность режимов работы может отличаться от вашей модели.

Нагрев сверху и снизу



Работают оба нагревательных элемента — и верхний, и нижний. Продукты подгреваются одновременно сверху и снизу. Этот режим подходит, например, для тортов, разной выпечки, а также кексов и запеканок в формах. Готовьте только с одним противнем.

Нагрев снизу



Работает только нижний нагревательный элемент. Подходит для выпечки пиццы и дополнительного обжаривания продуктов с нижней стороны.

Гриль



Работает малый гриль на потолке духовки. Может использоваться для приготовления блюд на гриле.

- Для приготовления блюд в этом режиме расположите под нагревателем гриля на соответствующем уровне духовки небольшое или среднее количество продукта.
- Установите температуру на максимальный уровень.
- Когда пройдет половина времени, отведенного на приготовление, переверните продукт.

Full grill (Усил. гриль)



Работает большой гриль на потолке духовки. Подходит для приготовления на гриле больших порций мяса.

- Для приготовления на гриле положите большие или средние порции под нагревательный элемент гриля на соответствующий уровень полки духового шкафа.
- Установите температуру на максимальный уровень.
- Когда пройдет половина времени, отведенного на приготовление, переверните продукт.

Время приготовления блюд



Значения времени в этой таблице следует считать справочными. Они могут изменяться в зависимости от температуры продуктов, толщины, вида и ваших кулинарных предпочтений.

Выпечка и жарение



1-й полкой духового шкафа является нижняя полка.

Блюдо	Количество противней		Уровень размещения	Температура (°C)	Примерное время приготовления (мин.)
**Выпечка на противне	Один противень	<input type="checkbox"/>	3	175	30 ... 45
**Выпечка в форме	Один противень	<input type="checkbox"/>	3	175	30 ... 50
**Выпечка в кулинарной бумаге	Один противень	<input type="checkbox"/>	3	160 ... 170	20 ... 30
**Бисквит	Один противень	<input type="checkbox"/>	3	180 ... 200	10 ... 20
**Печенье	Один противень	<input type="checkbox"/>	3	160 ... 170	20 ... 30
**Изделия из теста	Один противень	<input type="checkbox"/>	3	200	20 ... 30
**Сдобная выпечка	Один противень	<input type="checkbox"/>	3	190	25 ... 35
**Закваска	Один противень	<input type="checkbox"/>	3	190	20 ... 40
**Пазанья	Один противень	<input type="checkbox"/>	2	180	25 ... 45
**Пицца	Один противень	<input type="checkbox"/>	2	200	15 ... 25
Бифштекс (кусом)/жаркое	Один противень	<input type="checkbox"/>	2	25 мин. 220, затем 180 ... 190	80 ... 120
Баранья нога (запеканка)	Один противень	<input type="checkbox"/>	2	25 мин. 220, затем 180 ... 190	70 ... 100
Жареная курица	Один противень	<input type="checkbox"/>	2	15 мин. 220, затем 190	55 ... 75
Индейка (кусками)	Один противень	<input type="checkbox"/>	2	25 мин. 220, затем 190	70 ... 120
Рыба	Один противень	<input type="checkbox"/>	3	200	20 ... 30

(**) При приготовлении продуктов, требующих предварительного разогрева духового шкафа, разогревайте его в начале приготовления, пока не погаснет лампочка термостата.

Советы по выпечке

- Если изделие получается слишком сухим, следует повысить температуру примерно на 10°C и сократить время приготовления.
- Если изделие получается сырым, следует уменьшить количество жидкости или понизить температуру на 10°C.
- Если верхняя корочка слишком зарумянивается, следует поставить изделие ниже, понизить температуру и увеличить время приготовления.
- Если изделие хорошо пропекается, но снаружи пригорает, следует уменьшить количество жидкости, понизить температуру и увеличить время приготовления.

Советы по выпечке

- Если изделие получается слишком сухим, следует повысить температуру примерно на 10°C и сократить время приготовления. Смажьте слои теста смесью из молока, растительного масла, яиц и йогурта.

- Следите за тем, чтобы толщина изделия не превышала глубины противня, иначе оно будет долго выпекаться.
- Если верхний слой изделия подгорает, а нижний остается сырым, возможно, в нижнем слое изделия слишком много начинки. Чтобы изделие ровно подрумянивалось, старайтесь равномерно распределять начинку между слоями теста и по поверхности изделия.



При выпечке изделий из теста соблюдайте режим и температуру, указанные в таблице рецептов. Если нижний слой изделия плохо пропекается, в следующий раз поставьте противень на один уровень ниже.

Советы по приготовлению овощных блюд

- Если овощи выпускают сок и становятся слишком сухими, готовьте их не на противне, а в сковороде под крышкой. В закрытой посуде сок сохранится.

- Если овощное блюдо остается сыроватым, прежде чем готовить овощи в духовом шкафу, можно их проварить или пробланшировать.

Как пользоваться грилем



ПРЕДУПРЕЖДЕНИЕ!

Закрывайте дверцу во время приготовления пищи на гриле. Горячие поверхности могут причинить ожоги!

Включение гриля

1. Поверните ручку выбора функций и установите на нужный значок режима «Гриль».
2. Затем установите нужную температуру жаренья.

3. При необходимости прогрейте гриль около 5 минут.

» При этом включится индикаторная лампочка температуры.

Выключение гриля

1. Поверните ручку выбора функций в положение отключения (вверх).



Продукты, которые не подходят для приготовления на гриле, могут привести к возгоранию. На гриле можно готовить только такие продукты, которые выдерживают интенсивный нагрев.

Не размещайте продукты слишком близко к задней части гриля. Эта зона нагревается сильнее всего, и жирные продукты могут загореться.

Время приготовления блюд на гриле

Приготовление блюд на электрическом гриле

Продукты	Уровень размещения	Время приготовления на гриле (прибл.)
Рыба	4..5	20..25 мин. #
Курица (куски)	4..5	25..35 мин.
Отбивные из молодой баранины	4..5	20..25 мин.
Ростбиф	4..5	25..30 мин. #
Отбивные из телятины	4..5	25..30 мин. #
Гренки	4	1..2 мин.

* в зависимости от толщины

7 Уход и техническое обслуживание

Общие сведения

Регулярно выполняйте чистку прибора. Это позволит продлить срок его службы, а также избежать многих проблем.



ОПАСНО:

Перед выполнением работ по обслуживанию и чистке отключите прибор от электрической сети.

Существует риск поражения электрическим током!



ОПАСНО:

Дайте изделию остыть, прежде чем приступать к чистке.

Горячие поверхности могут причинить ожоги!

- Прибор следует тщательно чистить после каждого использования. Так легче удалять остатки пищи, которые могут пригореть при следующем использовании прибора.
- Для чистки прибора не требуются специальные чистящие средства. Прибор можно вымыть теплой водой с добавлением жидким моющего средства, используя мягкую ткань или губку. А затем протереть сухой тканью.
- Обязательно протирайте прибор насухо после чистки и сразу же удаляйте попавшую на него жидкость.
- Не используйте для чистки ручки и поверхностей из нержавеющей стали чистящие средства, содержащими кислоту или хлор. Эти детали можно протирать мягкой тканью, смоченной в жидком моющем средстве (без абразивных добавок), стараясь тереть в одном направлении.



Некоторые моющие средства и чистящие материалы могут повредить поверхность. Не используйте для чистки агрессивные моющие средства, чистящие порошки/кремы, а также острые предметы.



Не используйте для чистки устройства пароочистители, поскольку это может привести к поражению электрическим током.

Чистка варочной панели

Стеклокерамические поверхности

Протрите стеклокерамическую поверхность тканью, смоченной в холодной воде. Следите за

тем, чтобы на ней не оставалось следов моющего средства. Вытрите поверхность насухо сухой мягкой тканью. Остатки пищи на стеклокерамической поверхности могут повредить ее при следующем включении.

Ни в коем случае не используйте для удаления со стеклокерамической поверхности засохших остатков пищи ножи с зубчатым лезвием, металлические мочалки и т.п.

Известковый налет (желтые пятна) можно удалять средствами, используемыми для удаления накипи, например, столовым уксусом или лимонным соком. Можно также использовать бытовые средства, которые продаются в торговой сети.

Для удаления сильных загрязнений нанесите моющее средство губкой и оставьте на некоторое время для воздействия. Затем очистите поверхность варочной панели влажной тканью.



Продукты, содержащие сахар, такие, как крем или сироп, нужно удалять немедленно, не дожидаясь остывания поверхности, так как они могут необратимо повредить стеклокерамическую поверхность.

Со временем может произойти изменение цвета поверхности, однако это никоим образом не влияет на ее работу.

Появление пятен и обесцвечивание стеклокерамической поверхности – это обычное явление, которое не является признаком ее повреждения.

Чистка панели управления

Очистьте панель управления и ручки-регуляторы влажной тканью и вытрите насухо.



Для чистки панели управления не снимайте кнопки/ручки-регуляторы. Так можно повредить панель управления!

Чистка духовки

Чистка дверцы духовки

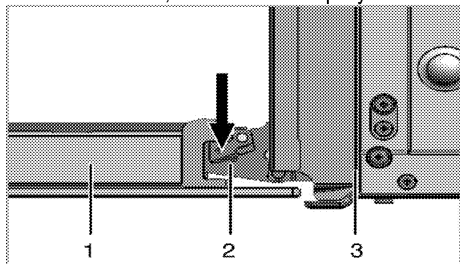
Мойте дверцу духовки мягкой тканью или губкой, смоченной в теплой воде с добавлением жидкого моющего средства, и вытирайте сухой тканью.



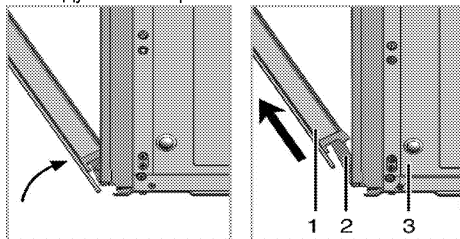
Не используйте для чистки дверцы моющие средства с абразивными веществами или металлические скребки. Они могут поцарапать поверхность и повредить стекло.

Снятие дверцы духового шкафа

1. Откройте переднюю дверцу (1).
2. Откройте зажимы на корпусе петли (2) с правой и левой стороны передней дверцы, нажав на них, как показано на рисунке.



- 1 Передняя дверца
- 2 Петля
- 3 Духовой шкаф



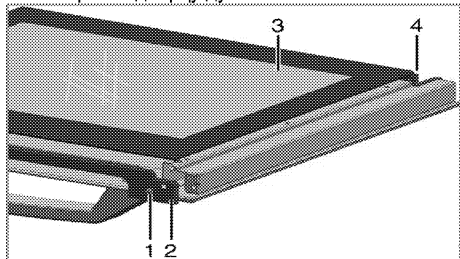
3. Откройте переднюю дверцу наполовину.
4. Снимите переднюю дверцу, потянув ее вверх и освободив от правой и левой петли.

i Для установки дверцы на место следует выполнить в обратном порядке действия по снятию. Не забудьте закрыть зажимы на корпусе петли при установке дверцы на место.

Снятие внутреннего стекла дверцы

Внутреннее стекло панели дверцы духового шкафа можно снять для чистки.

1. Откройте дверцу духовки.



- 1 Винт
- 2 Профиль
- 3 Внутреннее стекло
- 4 Пластмассовый держатель

2. Открутите отверткой винт (1)
3. Выньте профиль (2), а затем внутреннее стекло (3).
4. После чего соберите дверь, установив стекло (3) в пластмассовые держатели (4) и сгруппировав профиль.

Замена лампочки освещения духового шкафа



ОПАСНО:

Во избежание поражения электрическим током, прежде чем заменять лампочку, убедитесь в том, что электроприбор отсоединен от сети и остыл.

Горячие поверхности могут причинить ожоги!



Для освещения духового шкафа используется специальная электрическая лампочка, которая может выдерживать температуру до 300 С. Дополнительные сведения см. в разделе "Технические характеристики, стр. 13". Лампочки освещения духового шкафа можно приобрести в фирменных сервисных центрах.



Расположение лампочки может отличаться от изображения на рисунке.



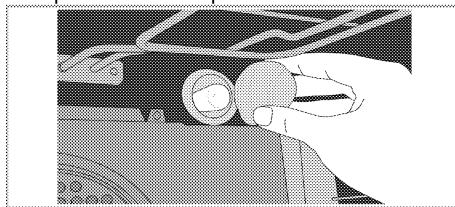
Лампа, используемая в этом приборе, не подходит для освещения бытовых помещений. Эта лампа предназначена для вспомогательной цели, позволяющей пользователю увидеть пищевые продукты.



Лампы, используемые в этом приборе, должны выдерживать экстремальные физические условия, например температуру выше 50 °С.

Замена круглой лампочки освещения духового шкафа

1. Отсоедините духовой шкаф от электросети.
2. Снимите стеклянный плафон, повернув его против часовой стрелки.



3. Выверните лампочку освещения духовки, поворачивая ее против часовой стрелки, и установите на ее место новую.
4. Установите на место стеклянный плафон.

8 Поиск и устранение неисправностей

Во время работы из духового шкафа выделяется пар.

- Вполне нормально, если пар выделяется во время работы. >>> *Это не является неисправностью.*

При нагревании и охлаждении прибор издает металлические шумы.

- При нагревании металлические детали могут расширяться и издавать звуки. >>> *Это не является неисправностью.*

Прибор не работает.

- Плавкий предохранитель неисправен или сработал. >>> *Проверьте плавкие предохранители в блоке предохранителей. При необходимости замените их или включите.*
- Духовой шкаф не включен в (заземленную) розетку электросети. >>> *Проверьте соединение штепсельной вилки.*

Освещение духовки не работает.

- Лампочка освещения духового шкафа неисправна. >>> *Замените лампочку освещения шкафа.*
- Нет электропитания. >>> *Проверьте наличие электропитания. Проверьте предохранители в блоке предохранителей. При необходимости замените или включите предохранители.*

Духовка не нагревается.

- Не задана функция или температура. >>> *Выберите функцию и установите температуру с помощью переключателя функций и (или) регулятора температуры.*
- Нет электропитания. >>> *Проверьте наличие электропитания. Проверьте предохранители в блоке предохранителей. При необходимости замените или включите предохранители.*



Если вы не можете устранить неполадки, несмотря на выполнение инструкций, приведенных в данном разделе, обратитесь к представителю авторизованной сервисной службы. Не пытайтесь самостоятельно отремонтировать неисправный электроприбор.

Изготовитель: «Arcelik A.S.»

Юридический адрес: Караач Джаддеси № 2-6 34445 Сютлюдже Стамбул, Турция
(Karaağaç Caddesi No:2-6 Sütlüce, 34445, Turkey)

Произведено в Турции

Импортер на территории РФ: ООО «БЕКО»

Юридический адрес: 601021 Россия, Владимирская обл., Киржачский р-н, МОСП Першинское, дер. Федоровское, ул. Сельская, д. 49.

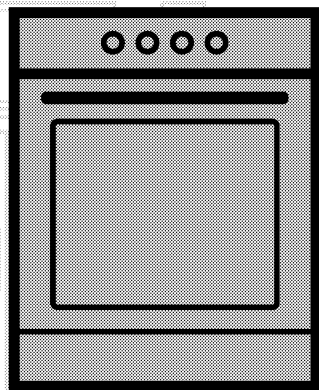
Информацию о сертификации продукта Вы можете уточнить, позвонив на горячую линию 8-800-200-23-56.

Дата производства включена в серийный номер продукта, указанный на этикетке, расположенной на продукте, а именно: первые две цифры серийного номера обозначают год производства, а последние две – месяц. Например, "10-100001-05" обозначает, что продукт произведен в мае 2010 года.

Изготовитель оставляет за собой право на внесение изменений в конструкцию, дизайн и комплектацию электроприбора.

Piekarnik

Instrukcja użytkownika



PL

beko

Prosimy najpierw przeczytać tę instrukcję obsługi!

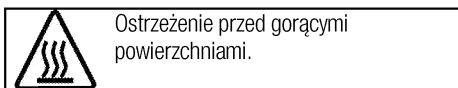
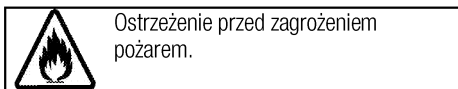
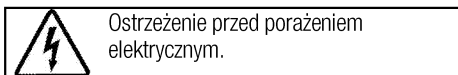
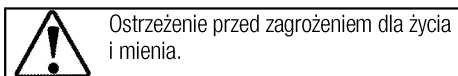
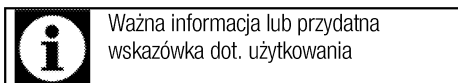
Drogi Kliencie,

Dziękujemy za wybór wyrobu firmy Beko. Mamy nadzieję, że wyrób ten, wyprodukowany zgodnie z najwyższymi wymogami jakościowymi i według najnowszej technologii, służyć Ci będzie jak najlepiej. Prosimy zatem przed użyciem tego wyrobu uważnie przeczytać całą tę instrukcję obsługi i wszystkie inne dostarczone z nim dokumenty i zachować je do wglądu w przyszłości. Jeśli przekazesz ten wyrób komuś innemu, oddajcie mu także tę instrukcję. Przestrzegaj wszelkich ostrzeżeń i informacji z tej instrukcji.

Pamiętaj, że niniejsza instrukcja użytkowania może odnosić się także do kilku innych modeli. Różnice pomiędzy modelami wskazano w niniejszej instrukcji.

Objaśnienie symboli

W niniejszej instrukcji użytkowania stosuje się następujące symbole:



Niniejsze urządzenie jest zgodne z następującymi

Dyrektywami Unii Europejskiej:

- 2006/95/WE LVD (Niskie Napięcia)

- 2004/108/WE EMC (Kompatybilność Elektromagnetyczna)

Importer: Beko S.A.



Ul. Puławska 366, 02-819 Warszawa, www.beko.pl

1 Ważne instrukcje i ostrzeżenia
dotyczące bezpieczeństwa i ochrony
środowiska 4

Ogólne zasady bezpieczeństwa 4
 Bezpieczeństwo elektryczne..... 4
 Zasady zachowania bezpieczeństwa przy użytkowaniu
 tego wyrobu 5
 Zamierzone przeznaczenie..... 7
 Bezpieczeństwo dzieci..... 8
 Stare urządzenia 8
 Pozbywanie się materiałów opakowaniowych 8

2 Informacje ogólne 9

Opis urządzenia 9
 Zawartość opakowania..... 10
 Dane techniczne 11

3 Instalacja 12

Przed zainstalowaniem 12
 Instalacja i przyłączenie 13
 Przyszły transport..... 14

4 Przygotowanie 15

Jak oszczędzać energię..... 15
 Pierwszy raz 15
 Pierwsze czyszczenie 15
 Podgrzewanie wstępne..... 15

5 Jak używać płyty kuchennej 16

Ogólne informacje o gotowaniu 16
 Użytkowanie płyt kuchennych..... 16

6 Jak obsługiwać piekarnik 18

Ogólne informacje o pieczeniu ciast i mięs oraz o
 grillowaniu. 18
 Jak obsługiwać piekarnik elektryczny..... 18
 Tryby pracy..... 19
 Tabela czasów pieczenia 19
 Jak obsługiwać grill..... 20
 Tabela czasów pieczenia przy grillowaniu..... 20

7 Czyszczenie i konserwacja 21

Informacje ogólne..... 21
 Oczyszczenie płyty..... 21
 Czyszczenie panelu sterowania 21
 Czyszczenie piekarnika 21
 Przenoszenie drzwiczek piekarnika 21
 Wyjmowanie szyby w drzwiczkach..... 22
 Wymiana lampki w piekarniku 22

8 Rozwiązywanie problemów 23

1 Ważne instrukcje i ostrzeżenia dotyczące bezpieczeństwa i ochrony środowiska

W rozdziale tym zawarto instrukcje zachowania bezpieczeństwa, które pomogą uniknąć zagrożenia obrażeniem lub szkodą.

Nieprzestrzeganie tych instrukcji spowoduje unieważnienie wszelkich gwarancji.

Ogólne zasady bezpieczeństwa

- Urządzenie może być używane przez dzieci w wieku 8 lat i starsze oraz osoby o ograniczonych zdolnościach fizycznych, czuciowych lub umysłowych, lub nieumiejętne i niedoświadczone, jeśli są pod nadzorem lub poinstruowano je w sprawach użytkowania tego urządzenia w sposób bezpieczny i rozumieją związane z tym zagrożenia.

Dzieci nie powinny bawić się tym urządzeniem. Dzieciom bez nadzoru nie należy powierzać czyszczenia ani konserwacji.

- Nie wolno ustawiać tego urządzenia na podłodze pokrytej wykładziną dywanową. W przeciwnym razie brak przepływu powietrza pod urządzeniem spowoduje przegrzanie jego części elektrycznych. Może to spowodować problemy.

- Instalacje i naprawy musi zawsze wykonywać autoryzowany pracownik serwisowy. Producent nie odpowiada za szkody wynikłe z instalacji i napraw wykonywanych przez osoby nieupoważnione i może z tego powodu unieważnić gwarancję. Przed instalacją uważnie przeczytaj tę instrukcję.
- Nie wolno uruchamiać tego wyrobu, jeśli jest niesprawny lub widocznie uszkodzony.
- Po każdym użyciu sprawdź, czy wyłączony zostały pokręta funkcjonalne.

Bezpieczeństwo elektryczne

- W razie awarii tego urządzenia nie należy go używać do czasu naprawy przez autoryzowany serwis. Grozi to porażeniem elektrycznym!
- Piekarnik ten można podłączyć tylko do gniazdka z uziemieniem o napięciu i z zabezpieczeniem jakie podano w "Danych technicznych". Zlecenie wykonania instalacji uziemienia wykwalifikowanemu elektrykowi, niezależnie od tego, czy używasz transformatora do zasilania. Firma nasza nie ponosi odpowiedzialności za jakiegokolwiek problemy wynikające z braku

uziemiaenia tego piekarnika zgodnie z miejscowymi przepisami.

- Nie wolno myć piekarnika rozlewając nań wodę! Grozi to porażeniem elektrycznym!
- Piekarnik ten trzeba odłączyć od zasilania na czas instalacji, konserwacji, czyszczenia i napraw.
- Aby uniknąć zagrożenie w przypadku uszkodzenia przewodu zasilającego, musi go wymienić producent, punkt serwisowy lub osoba o podobnych kwalifikacjach.
- Należy używać tylko kabla zasilającego podanego w "Danych technicznych".
- Piekarnik należy tak zainstalować, aby można było go całkowicie odłączyć od sieci. Odłączenie to należy zapewnić albo poprzez wyjęcie wtyczki z gniazdka, albo wyłączenie wyłącznika, w który wyposażona jest domowa instalacja elektryczna, zgodnie z przepisami budowlanymi.
- Tylna powierzchnia piekarnika nagrzewa się w trakcie jego pracy. Upewnij się, że przyłączy elektryczne nie dotyka tej tylnej powierzchni; w przeciwnym razie może ono ulec uszkodzeniu.
- Przewód zasilający nie może się zakleszczyć między drzwiczkami i ramą piekarnika, a także nie można go prowadzić przez gorące

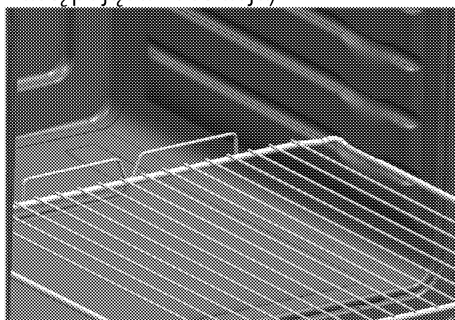
powierzchnie. W przeciwnym wypadku izolacja przewodów może się topić i w rezultacie może nastąpić zwarcie.

- Wszelkie prace na układach i urządzeniach elektrycznych wykonywać może tylko upoważniony i wykwalifikowany personel.
- W razie jakiegokolwiek awarii wyłącz wyrób i odłącz go od sieci zasilającej. W tym celu wyłącz bezpiecznik zabezpieczający instalację domową.
- Upewnij się, że prąd bezpiecznika jest odpowiedni dla tego wyrobu.

Zasady zachowania bezpieczeństwa przy użytkowaniu tego wyrobu

- Podczas użytkowania urządzenie i jego części są gorące. Nie dotykać nagranych części. Dzieci poniżej 8 lat mogą przebywać w pobliżu urządzenia wyłącznie pod nadzorem osób dorosłych.
- Nigdy nie wolno używać tego wyrobu w stanie zakłócenia oceny sytuacji lub koordynacji przez konsumpcję alkoholu i/lub innych środków odmieniających świadomość.
- Zachowaj ostrożność, jeśli w potrawach stosuje się napoje alkoholowe. W wysokiej temperaturze alkohol paruje i może się zapalić po zetknięciu z gorącymi powierzchniami.

- Nie umieszczaj żadnych materiałów łatwopalnych w pobliżu tego wyrobu, ponieważ jego boki mogą bardzo się nagrzewać przy pracy.
- W trakcie użytkowania piekarnik nagrzewa się. Należy zachować ostrożność i nie dotykać elementów grzejnych wewnątrz piekarnika.
- Należy dbać, aby żaden otwór wentylacyjny nie był zakryty.
- Nie podgrzewaj w piekarniku zamkniętych puszek ani szklanych słoików. Ciśnienie, które wytworzy się w takiej puszcze/słoiku, może je rozsadzić.
- Nie umieszczaj foremek do pieczenia, naczyń ani folii aluminiowej bezpośrednio na dnie piekarnika. Nagromadzenie ciepła mogłoby zniszczyć dno piekarnika.
- "Do czyszczenia szyby w drzwiczkach piekarnika nie należy używać szorstkich środków czyszczących ani ostrych skrobaków metalowych, ponieważ mogą one zarysować powierzchnię, co może doprowadzić do pęknięcia szyby."
- Do czyszczenia tego urządzenia nie używaj urządzeń parowych, ponieważ może to spowodować porażenie prądem.
- Właściwe umieszczanie rusztu i foremki na stelażach
Właściwe umieszczanie na stelażu rusztu i/lub tacki na ociekający tłuszcz jest niezwykle ważne. Wsuń ruszt lub tackę na ociekający tłuszcz pomiędzy dwie szyny i zanim umieścisz na nim potrawę upewnij się, że jest wypoziomowany (patrz następująca ilustracja).



- Nie używaj tego wyrobu z wyjętą lub popękaną szybą w przednich drzwiczkach.
- Uchwyt na drzwiach piekarnika nie służy do suszenia ręczników. Przy otwartych drzwiczkach i załączonej funkcji grillowania nie wieszaj na niej ręczników, rękawic, ani podobnych wyrobów tekstylnych.
- Do wkładania i wyjmowania potraw z gorącego piekarnika zawsze zakładaj odporne na wysokie temperatury rękawice.
- Wyłóż naczynie do pieczenia, lub akcesorium z piekarnika (tackę, ruszt druciany, itp.), papierem do

pieczenia, włóż do niego potrawę i wstaw je do wstępnie nagrzanego piekarnika. Utnij nadmiar papieru wystający z naczynia lub akcesorium, aby zapobiec ryzyku dotknięcia elementów grzejnych piekarnika. Nie wolno używać papieru do pieczenia w temperaturze roboczej większej niż wskazana dla tego papieru. Nie wykładaj papierem bezpośrednio dna piekarnika.

- Przed wymianą lampy upewnij się, że piekarnik jest wyłączony, aby uniknąć zagrożenia porażeniem prądem elektrycznym.
- Gotowania na kuchenke w tłuszczu lub oleju bez dozoru może być niebezpieczne i może doprowadzić do pożaru. NIE próbuj gasić ognia wodą, ale wyłącz kuchenkę, a następnie stłum płomień, np. pokrywką lub kocem gaśniczym.
- Zagrożenie pożarowe: Nie stawiaj niczego na powierzchniach do gotowania.
- Jeżeli powierzchnia jest pęknięta, wyłączyć kuchenkę, aby uniknąć zagrożenia porażeniem prądem elektrycznym.
- Urządzenia tego nie wolno obsługiwać z wykorzystaniem zewnętrznego zegara ani osobnego pilota.

- Tworzące się z powodu wilgoci na powierzchni płyty grzejnej lub na dnie naczynia ciśnienie pary może powodować przesuwanie się naczyń. Dlatego powierzchnia piekarnika i dno naczynia muszą być zawsze suche.
- Używaj tylko osłon płyty zaprojektowanych przez producenta danego sprzętu kuchennego lub wskazanych przezeń w instrukcji obsługi jako odpowiednie, lub osłon związanych z tym sprzętem. Użycie niewłaściwych osłon może powodować wypadki.

Aby uniknąć zagrożenia pożarem przy użytkowaniu tej kuchenki;

- Upewnij się, że wtyczka pasuje do gniazdka i nie powoduje iskrzenia.
- Nie należy używać uszkodzonych ani uciętych przewodów, ani przedłużaczy, a tylko oryginalnego przewodu zasilającego.
- Upewnij się, że gniazdko, do którego włączona jest kuchenka jest suche.

Zamierzone przeznaczenie

- Wyrób ten przeznaczony jest do użytku domowego. Nie dopuszcza się użytkowania komercyjnego.
- Urządzenie to służy wyłącznie do pieczenia potraw. Nie wolno używać go do innych celów, na przykład do ogrzewania pomieszczeń."

- Urządzenia tego nie należy używać do podgrzewania talerzy pod grillem, suszenia ręczników, ścierek do naczyń, itp. na uchwytach, ani do celów suszenia lub ogrzewania.
- Producent nie odpowiada za szkody spowodowane niewłaściwym użytkowaniem tego wyrobu lub obchodzeniem się z nim.
- Piekarnik można używać do rozmrażania, smażenie, pieczenia i grillowania potraw.

Bezpieczeństwo dzieci

- Dostępne części mogą się nagrzewać podczas użytkowania. Małe dzieci należy trzymać z dala od kuchenki.
- Materiały opakowaniowe mogą być niebezpieczne dla dzieci. Trzymać materiały opakowaniowe z dala od dzieci. Prosimy pozbyć się całego opakowania zgodnie z normami ochrony środowiska.
- Urządzenia elektryczne są niebezpieczne dla dzieci. W trakcie pracy tego produktu nie dopuszczają do przebywania dzieci w jego pobliżu ani do zabawy.
- Nie stawiaj na tym urządzeniu żadnych przedmiotów, po które mogłyby sięgać dzieci.

- Gdy drzwiczki są otwarte nie obciążać ich żadnymi ciężkimi przedmiotami i nie pozwalać dzieciom siadać na nich. Piekarnik może się przewrócić, lub mogą się uszkodzić zawiasy drzwiczek.

Stare urządzenia

Zgodność z dyrektywą WEEE i usuwanie odpadów:



Niniejszy wyrób jest zgodny z dyrektywą Parlamentu Europejskiego i Rady (2012/19/WE). Wyrób ten oznaczony jest symbolem klasyfikacji zużytych urządzeń elektrycznych i elektronicznych (WEEE). Wyrób ten wykonano z części i materiałów wysokiej jakości, które mogą być odzyskane i użyte jako surowce wtórne. Po zakończeniu użytkowania nie należy pozbywać się go razem z innymi odpadkami domowymi. Należy przekazać go do punktu zbiórki urządzeń elektrycznych i elektronicznych na surowce wtórne. Aby dowiedzieć się, gdzie jest najbliższy taki punkt, prosimy skonsultować się z władzami lokalnymi.

Zgodność z dyrektywą RoHS:

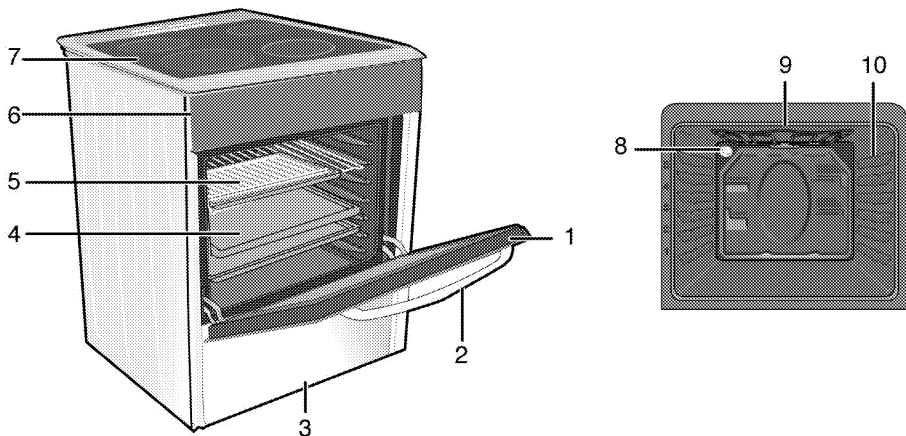
Niniejszy wyrób jest zgodny z dyrektywą Parlamentu Europejskiego i Rady RoHS (Ograniczenie użycia substancji niebezpiecznych) (2011/65/WE). Nie zawiera szkodliwych i zakazanych materiałów, podanych w tej dyrektywie.

Pozbywanie się materiałów opakowaniowych

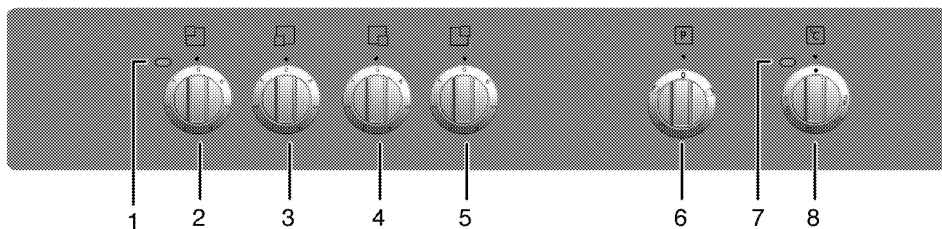
- Materiały opakowaniowe są niebezpieczne dla dzieci. Należy trzymać je w bezpiecznym miejscu, niedostępnym dla dzieci. Opakowanie tego wyrobu wyprodukowano z surowców wtórnych. Należy odpowiednio się ich pozbywać i sortować je zgodnie z instrukcjami gospodarki surowcami wtórnymi. Nie należy ich wyrzucać razem ze zwykłymi odpadkami domowymi.

2 Informacje ogólne

Opis urządzenia



- | | | | |
|---|--------------------|----|------------------------|
| 1 | Drzwiczki przednie | 6 | Panel sterowania |
| 2 | Uchwyt | 7 | Płyta grzejnika |
| 3 | Część dolna | 8 | Lampka |
| 4 | Tacka | 9 | Element grzejny grilla |
| 5 | Półka druciana | 10 | Pozycje półki |



- | | | | |
|---|---|---|---|
| 1 | Lampka ostrzegawcza | 5 | Jednoobwodowa płytka do gotowania Tylny prawy |
| 2 | Jednoobwodowa płytka do gotowania Tylny lewy | 6 | Pokrętko wyboru funkcji |
| 3 | Jednoobwodowa płytka do gotowania Przedni lewy | 7 | Lampka termostatu |
| 4 | Jednoobwodowa płytka do gotowania Przedni prawy | 8 | Pokrętko termostatu |

Zawartość opakowania

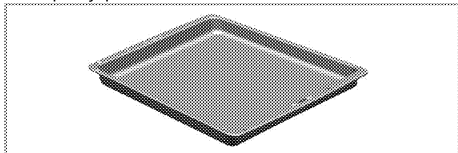


Dostarczane akcesoria różnią się zależnie od modelu wyrobu. Niektóre z akcesoriów opisanych w instrukcji obsługi mogą nie być dostarczane razem z tym modelem produktu.

1. **Instrukcja użytkowania**

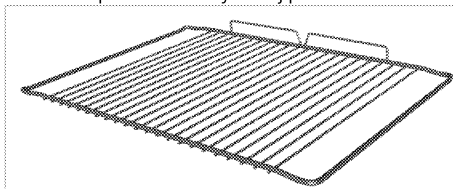
2. **Błacha do pieczenia**

Służy do pieczenia ciast, mrożonek i dużych porcji pieczeni.



3. **Półka druciana**

Służy do pieczenia oraz do ustawiania potraw do smażenia, pieczenia lub gotowania w naczyniach do zapiekank na wybranej półce.



Dane techniczne

DANE OGÓLNE	
Wymiary zewnętrzne (wys./szer./głęb.)	850 mm/500 mm/600 mm
Napięcie/częstotliwość	230 V/ 400 V 3N ~ 50 Hz
Łączne zużycie energii el.	7.7 kW
Bezpiecznik	min. 16 A x 3 / 25 A
Typ/ przekrój przewodu	H05VV-FG 5 x 1,5 mm ² / 3 x 2,5 mm ²
PŁYTA KUCHENNA	
Palniki	
Tylny lewy	Jednoobwodowa płytko do gotowania
Wymiary	140 mm
Moc	1200 W
Przedni lewy	Jednoobwodowa płytko do gotowania
Wymiary	180 mm
Moc	1700 W
Przedni prawy	Jednoobwodowa płytko do gotowania
Wymiary	140 mm
Moc	1200 W
Tylny prawy	Jednoobwodowa płytko do gotowania
Wymiary	180 mm
Moc	1700 W
PIEKARNIK/GRILL	
Piekarnik główny	Piekarnik konwencjonalny
Oświetlenie wewnętrzne	15–25 W
Zużycie energii el. przez grill.	1.6 kW

Informacja podstawowa: Dane na etykietach energetycznych piekarników elektrycznych podaje się zgodnie z normą PL-EN 60350-1 / IEC 60350-1. Wartości te określa się przy standardowym obciążeniu z czynnymi funkcjami grzejnika górnego-dolnego i wspomaganego nagrzewania wentylatorem (jeśli funkcje takie są dostępne).

Klasę sprawności energetycznej określa się zgodnie z następującą priorytetyzacją, zależnie od występowania odpowiednich funkcji w danym modelu piekarnika. 1-Pieczenie z wentylatorem eco-fan, 2-Pieczenie turbo powolne, 3-Pieczenie turbo, 4-Grzałki dolna/górna wspomagane wentylatorem.



Dane techniczne mogą zostać zmienione bez uprzedzenia w celu poprawy jakości wyrobu.



Rysunki w tej instrukcji są schematyczne i mogą się nieco różnić od danego wyrobu.



Wartości podane na etykietkach wyrobu lub w towarzyszącej mu dokumentacji uzyskano w warunkach laboratoryjnych zgodnie z jednoimiennymi normami. Wartości te mogą się różnić zależnie od operacyjnych i środowiskowych warunków pracy danego wyrobu.

3 Instalacja

Produkt musi zostać zainstalowany przez wykwalifikowaną osobę i zgodnie z obowiązującymi przepisami. W przeciwnym gwarancja zostanie unieważniona. Producent nie odpowiada za szkody wynikłe z instalacji i napraw wykonywanych przez osoby nieupoważnione i może z tego powodu unieważnić gwarancję.



Przygotowanie miejsca do instalacji i dostępu do sieci elektrycznej to obowiązek klienta.



ZAGROŻENIE:

Urządzenie to należy instalować zgodnie z miejscowymi przepisami dot. instalacji gazowych i elektrycznych.



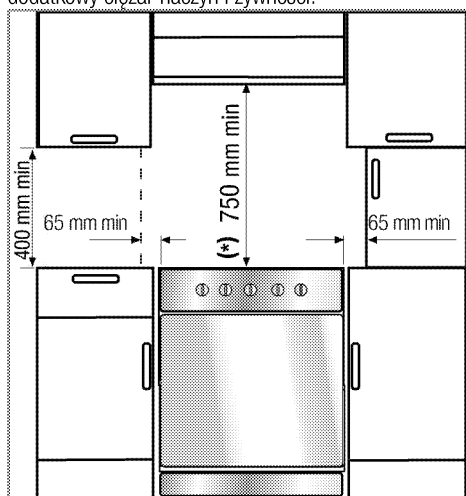
ZAGROŻENIE:

Przed zainstalowaniem sprawdź, czy wyrób nie ma widocznych defektów. Jeśli ma, nie instaluj go.

Uszkodzone wyroby zagrażają Twemu bezpieczeństwu.

Przed zainstalowaniem

Aby zapewnić zachowanie odpowiedniego odstępu na przepływ powietrza pod tym wyrobem zalecamy zamontowanie go na solidnej podstawie, której nóżki nie zagłębiają się w dywan lub wykładzinę dywanową. Podłoga kuchni musi unieść masę urządzenia plus dodatkowy ciężar naczyń i żywności.



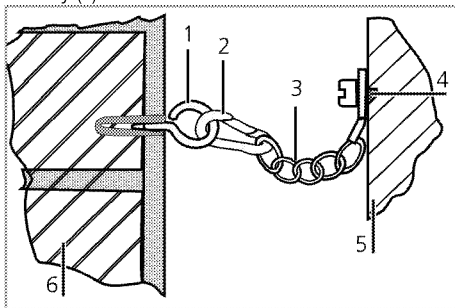
- Można go używać razem z szafkami po obu stronach, ale należy zachować minimalny odstęp 40 cm ponad poziomem płyty grzewczej zachowaj boczny odstęp 6,5 cm pomiędzy tym

urządzeniem a ścianą, ścianką działową lub wysoką szafką kuchenną.

- Można go także używać w pozycji wolnostojącej. Zachowaj minimalny odstęp 750 mm ponad powierzchnią płyty kuchennej.
- (*) Jeśli nad kuchenką ma być zainstalowany wyciąg, sprawdź wysokość instalacji w instrukcji wytwórcy wyciągu (min. 650 mm).
- Urządzenie te odpowiada klasie 1, tzn. można je ustawić tyłem i **jednym** bokiem do ścian kuchni, mebli kuchennych, czy urządzeń dowolnych rozmiarów. Meble lub sprzęty kuchenne po **drugiej** stronie nie mogą być większe.
- Sąsiadujące z urządzeniem meble kuchenne muszą być odporne na wysoką temperaturę (co najmniej do 100 °C).

Łańcuch bezpieczeństwa

Urządzenie to należy zabezpieczyć przed przewróceniem mocując je dwoma łańcuchami bezpieczeństwa dostarczonymi wraz z piekarnikiem. Umocuj hak (1) używając odpowiedniego kołka wbitego w ścianę kuchni (6) i bezpiecznie zaczepek łańcuch bezpieczeństwa (3) o hak, wykorzystując mechanizm blokady (2).



- Hak stabilizujący
- Mechanizm blokady
- Łańcuch bezpieczeństwa
- Mono przytwierdź łańcuch do tyłu piekarnika.
- Tył piekarnika
- Ściana kuchni



Łańcuch stabilizujący musi być jak najkrótszy, aby uniemożliwić przechylenie się piekarnika w przód. Przechyłom bocznym zapobiega łańcuch poprzeczny.

Łańcuch stabilizujący kuchenki bez otworu na zaczep uchwyty.

Instalacja i przyłączenie

Urządzenie to można instalować i przyłączać wyłącznie zgodnie z obowiązującymi zasadami instalowania.



Nie instaluj tego urządzenia w pobliżu lodówek lub zamrażarek. Wydzielane z tego piekarnika ciepło może zwiększyć zużycie energii przez urządzenia chłodzące.

- Urządzenie nosić muszą przynajmniej dwie osoby.
- Urządzenie trzeba ustawić bezpośrednio na podłodze. Nie może stać na podstawie ani cokole.



Nie podnoś piekarnika za drzwiczki ani za klamkę. Drzwiczki, uchwyt lub zawiasy mogą się uszkodzić.

Przyłączenie elektryczne

Przyłącz ten wyrób do uziemionego gniazdka/obwodu zabezpieczonego bezpiecznikiem o odpowiedniej specyfikacji podanej w tabeli „Dane techniczne”. Zleć wykonanie instalacji uziemienia wykwalifikowanemu elektrykowi, niezależnie od tego, czy używasz transformatora do zasilania. Firma nasza nie odpowiada za żadne szkody wynikłe z użytkowania tego wyrobu bez uziemienia, zgodnie z przepisami miejscowymi.



ZAGROŻENIE:

Wyrób ten musi być przyłączony do sieci elektrycznej przez osobę upoważnioną i wykwalifikowaną. Gwarancja na ten wyrób obowiązuje dopiero po jego prawidłowym zainstalowaniu.

Producent nie odpowiada za szkody wynikłe z instalacji i napraw wykonywanych przez osoby nieupoważnione.



ZAGROŻENIE:

Przewodu zasilającego nie można klamrować, zginać i przyciskać, ani stykać z gorącymi częściami urządzenia.

Przewody uszkodzone wymieniać może tylko wykwalifikowany elektryk. Zagrożenie porażeniem elektrycznym, zwarcieniem lub pożarem z powodu niefachowej instalacji!

Parametry zasilania muszą odpowiadać danym podanym na tabliczce znamionowej urządzenia. Tabliczkę znamionową albo widać przy otwartych drzwiczkach dolnej pokrywy, albo umieszczona jest na tylnej ścianie, zależnie od typu urządzenia. Przewód zasilający ten wyrób musi odpowiadać parametrom podanym w tabeli "Dane techniczne".



ZAGROŻENIE:

Przed podjęciem jakichkolwiek prac przy instalacji elektrycznej, odłącz to urządzenie od zasilania.

Grozi to porażeniem elektrycznym!

Przyłączenie kabla zasilania

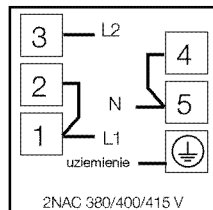
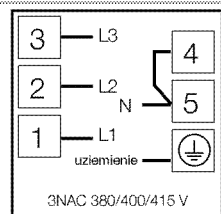
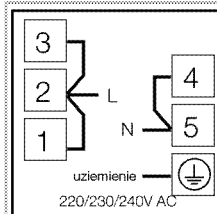
1. **Jeśli razem z tym wyrobem nie dostarczono przewodu zasilającego**, trzeba do niego przyłączyć przewód zasilający wybrany z tabeli (Dane techniczne, strona 11) odpowiednio do domowej instalacji elektrycznej, stosując się do instrukcji w schemacie przyłączenia kabla.

Jeśli nie jest możliwe odłączenie od zasilania we wszystkich biegunach, trzeba zainstalować wyłącznik z przerwą stykową co najmniej 3 mm (bezpieczniki, liniowy wyłącznik bezpieczeństwa, stycznik), którego wszystkie bieguny powinny sąsiadować z wyrobem (ale nie ponad nią) zgodnie z przepisami IEE. Nieprzestrzeganie tych instrukcji może skutkować problemami eksploatacyjnymi i unieważnieniem gwarancji na wyrób.




Zaleca się dodatkowe zabezpieczenie wyłącznikiem prądu resztkowego.

2. Śrubokrętem otwórz pokrywę listwy zaciskowej.
3. Wsadź przewód zasilający przez klamrę pod zaciskiem i umocuj go do korpusu śrubą zintegrowaną na elemencie klamrowym.
4. Połącz przewody zgodnie z dostarczonym schematem.



5. Po połączeniu przewodów zamknij pokrywę listwy zaciskowej.
6. Przewód zasilający ułóż tak, aby nie stykał się z wyrobem i nie uwiązał pomiędzy nim a ścianą.

 Ze względów bezpieczeństwa przewód zasilający nie może być dłuższy od 2 m.


- Przysuń wyrób do ściany kuchni.
- **Ustawianie nóżek piekarnika**
Drgania w trakcie pracy mogą powodować przesuwanie się naczyń. W tej niebezpiecznej sytuacji można uniknąć poziomując i równoważąc wyrób.
Dla własnego bezpieczeństwa upewnij się, że wyrób stoi prosto nastawiając cztery nóżki na spodzie obracając je w lewo lub prawo i wyrównaj poziom z blatem kuchennym.


Ostateczne sprawdzenie

1. Ponowne przyłączenie wyrobu do zasilania el.
2. Sprawdź funkcje elektryczne.

Przyszły transport

- Zachowaj oryginalne pudło kartonowe na piekarnik i transportuj go w nim. Przestrzegaj instrukcji na pudle. Jeśli nie masz oryginalnego pudła, zapakuj piekarnik w folię bąbelkową lub grubą tekturę i zabezpiecz taśmą klejącą.
- Aby zapobiec uszkodzeniu drzwiczek przez ruszt druciany i tackę z wnętrza piekarnika włóż do jego środka pasek tektury, równo z pozycją tacek. Drzwiczki piekarnika zabezpiecz taśmą klejącą do ścian bocznych.
- Nie podnoś piekarnika za drzwiczki ani za klamkę.

 Nie stawiaj na nim żadnych przedmiotów i przemieszczaj go w pozycji pionowej.

 Sprawdzaj, czy piekarnik nie uległ w transporcie widocznym uszkodzeniom.

4 Przygotowanie

Jak oszczędzać energię

Następujące wskazówki pomogą użytkownikowi urządzenie w sposób ekologiczny oraz energooszczędny.

- Używaj naczyń w ciemnych barwach lub emaliowanych, co poprawi przepływ ciepła.
- Gotując potrawy wykonuj operacje podgrzewania, jeśli zaleca się ją w instrukcji obsługi lub przepisie gotowania.
- Nie otwieraj zbyt często drzwiczek w trakcie gotowania.
- O ile to możliwe staraj się gotować w piekarniku więcej niż jedną potrawę na raz. Można gotować w dwóch naczyniach obok siebie na ruszcie.
- Gotuj potrawy po kolei. Piekarnik będzie już gorący.
- Można oszczędzić energię wyłączając piekarnik na kilka minut przed upływem czasu gotowania. Nie otwieraj drzwiczek piekarnika.
- Rozmrażaj mrożonki przed gotowaniem.
- Do gotowania używaj garnków/rondelek z pokrywkami. Gotowanie bez pokrywy może czterokrotnie zwiększyć pobór prądu.
- Gotuj na palniku o średnicy odpowiadającej średnicy garnka. Zawsze wybieraj garnki o rozmiarze odpowiednim do potrawy. Większe garnki zużywają więcej prądu.
- Do gotowania na kuchenkach elektrycznych staraj się używać garnków o płaskim dnie. Naczynia o grubych dnach zapewniają lepsze przeniesienie ciepła. Można zaoszczędzić do 1/3 energii elektrycznej.
- Naczynia i garnki muszą być zgodne ze strefami gotowania. Dno garnka lub naczynia nie może być mniejsze od płyty grzejnej.
- Utrzymuj strefy gotowania i dna garnków w czystości. Brud zmniejsza przeniesienie ciepła między strefą gotowania a dnem garnka.
- W przypadku długiego gotowania wyłączaj strefę gotowania na 5 lub 10 minut przed upływem czasu gotowania. Wykorzystując ciepło resztkowe można zaoszczędzić do 20% energii elektrycznej.

Pierwszy raz

Pierwsze czyszczenie



Pewne detergenty lub środki czyszczące mogą uszkodzić powierzchnię.

Nie używaj agresywnych detergentów, proszku/mleczka do czyszczenia, ani żadnych ostrych przedmiotów.

1. Usuń wszystkie materiały opakowaniowe.
2. Wytrzyj powierzchnie wyrobu wilgotną ściereczką lub gąbką i wytrzyj do sucha ściereczką.

Podgrzewanie wstępne

Nagrzewaj urządzenie przez ok. 30 minut, a potem je wyłącz. Przed pierwszym użyciem należy wypalić wszelkie pozostałości po produkcji i warstwy ochronne.



OSTRZEŻENIE

Można się poparzyć od gorących powierzchni! Urządzenie to nagrzewa się podczas pracy. Nie dotykaj gorących palników, wewnętrznych sekcji piekarnika, elementów grzejnych itp. Zakaz zbliżania się dzieci! Do wkładania i wyjmowania potraw z gorącego piekarnika zawsze zakładaj odporne na wysokie temperatury rękawice.

Piekarnik elektryczny

1. Wyjmij z piekarnika wszystkie foremki do pieczenia i ruszt.
2. Zamknij drzwiczki piekarnika.
3. Wybierz pozycję „Static” (Statyczne)
4. Wybierz najwyższą moc grilla; patrz *Jak obsługiwać piekarnik elektryczny, strona 18*.
5. Niech piekarnik pracuje przez ok. 30 minut.
6. Wyłącz piekarnik; patrz *Jak obsługiwać piekarnik elektryczny, strona 18*

Piekarnik z grillem

1. Wyjmij z piekarnika wszystkie foremki do pieczenia i ruszt.
2. Zamknij drzwiczki piekarnika.
3. Wybierz najwyższą moc grilla; patrz *Jak obsługiwać grill, strona 20*.
4. Niech piekarnik pracuje przez ok. 30 minut.
5. Wyłącz grill; patrz *Jak obsługiwać grill, strona 20*



W trakcie pierwszego uruchomienia przez parę godzin mogą się wydzielać dym i zapach. Jest to całkiem normalne. Zadbaj o dobrą wentylację kuchni i pozbadź się dymu i zapachu. Nie wdychać bezpośrednio powstającego dymu i zapachu.

5 Jak używać płyty kuchennej

Ogólne informacje o gotowaniu



Nigdy nie wolno napełniać rondla olejem powyżej jednej-trzeciej jego pojemności. Podczas podgrzewania oleju nie wolno pozostawiać płyty bez nadzoru. Przegrzany olej może zapalić się. **Nigdy nie wolno gasić ognia wodą!** Gdy olej się zapali, natychmiast przykryć go kocem gaśniczym lub wilgotną szmatą. Gdy już będzie to bezpieczne należy wyłączyć kuchenkę i zadzwonić po straż pożarną.

- Przed smaženiem potrawy zawsze dokładnie ją osusz, a potem delikatnie ją połóż na gorącym oleju. Przed smaženiem mrozonek upewnij się, że całkowicie odtajały.
- Nie przykrywaj naczynia, w którym podgrzewasz olej.
- Patelnie i rondle ustawiaj tak, aby ich trzonki nie były nad płytą, co zapobiegnie ich nagrzewaniu się. Nie stawiaj na płycie naczyń niewyważonych i takich, które łatwo mogą się przechylić.
- Nie stawiaj pustych naczyń ani garnków na załączonych strefach gotowania. Mogą się uszkodzić.
- Załączenie strefy gotowania, na której nie stoi zadno naczynie ani garnek, może uszkodzić ten wyrób. Po zakończeniu gotowania wyłącz strefy gotowania.
- Ponieważ powierzchnia tego wyrobu może być gorąca, nie stawiaj na niej naczyń plastikowych ani aluminiowych.

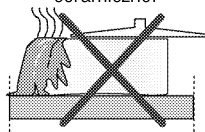
Jeśli taki materiał roztopi się na powierzchni płyty, oczyść ją z niego natychmiast.

W naczyniach takich także nie należy przechowywać żywności.

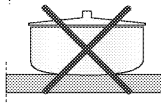
- Używaj tylko garnków i naczyń z płaskim dnem.
 - Do garnków i patelni wkładaj odpowiednie ilości żywności. Tym samym zapobiegasz oprzeleniu suie zawartosci naczynia, a więc unikasz niepotrzebnego czyszczenia.
- Nie kładź pokrywek garnków ani patelni na strefach gotowania. Garnki ustawiaj w środku strefy gotowania. Aby przenieść garnek do innej strefy gotowania, podnieś go i postaw w tej strefie zamiast go przesuwając.

Wskazówki dla płyt szklano-ceramicznych

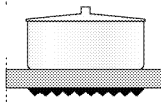
- Powierzchnia szklano-ceramiczna jest odporna na nagrzewanie i niewrażliwa na znaczne różnice temperatur.
- Nie używaj powierzchni szklano-ceramicznej jako półki do ustawiania rzeczy ani jako płyty do krojenia.
- Używaj tylko garnków i patelni z dnem obrobionym mechanicznie. Ostre krawędzie powodują zarysowanie tej powierzchni.
- Nie używaj garnów ani rondli aluminiowych. Aluminium uszkadza powierzchnie szklano-ceramiczne.



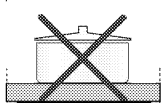
Rozlane płyny mogą uszkodzić powierzchnię szklano-ceramiczną i spowodować pożar.



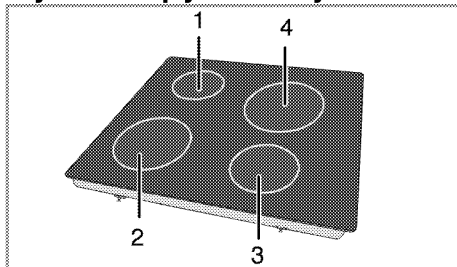
Nie używaj naczyń z dnem wklęsłym ani wypukłym.



Używaj tylko garnków i patelni z dnem płaskim. Zapewnia to łatwiejsze przenoszenie ciepła. Jeśli garnek ma za małą średnicę, marnuje się energia.



Użytkowanie płyt kuchennych



- 1 Jednoobwodowa płytka do gotowania 14-16 cm
- 2 Jednoobwodowa płytka do gotowania 18-20 cm
- 3 Jednoobwodowa płytka do gotowania 14-16 cm
- 4 Jednoobwodowa płytka do gotowania 18-20 cm to wykaz zalecanych średnic garnków do użytku na odnośnych palnikach.

Pokrywa produktu jest połączona z systemem odcinania dopływu gazu. Gdy pokrywa jest zamknięta, odcinany jest dopływ gazu do palników.

**ZAGROŻENIE:**

Nie dopuszczaj, aby cokolwiek spadło na płytę kuchenną. Nawet małe przedmioty (np. solniczka) mogą uszkodzić płytę.

Nie używaj pękniętej płyty kuchennej. Do takiego pęknięcia może dostać się woda i spowodować zwarcie.

Jeśli powierzchnia płyty zostanie w jakikolwiek sposób uszkodzona (np. widocznie popęka), natychmiast wyłącz płytę aby zmniejszyć zagrożenie porażeniem elektrycznym.

Poziom gotowania	1	2 — 3	4 — 6
	podgrzewanie	gotowanie do wrzenia, utrzymywanie w ciepłe	gotowanie, smażenie

Wyłączenie vitroceramicznych stref gotowania

Obróć pokrętko płytki grzejnej do pozycji OFF [WYŁ.] (górnej).

Płyta vitroceramiczna jest wyposażona w lampkę sygnalizującą działanie i wskaźnik ostrzegawczy strefy gorącej.

Wskaźnik ostrzegawczy strefy gorącej wskazuje pozycję czynnej płytki grzejnej i pali się po jej wyłączeniu. Gdy temperatura płytki grzejnej obniży się do takiego poziomu, że można jej dotknąć ręką, wskaźnik ostrzegawczy zgaśnie. Miganie wskaźnika ostrzegawczego strefy gorącej nie oznacza awarii.

Włączanie vitroceramicznych stref gotowania

Do obsługi vitroceramicznych stref gotowania używaj klawiszy stref gotowania. Aby uzyskać żądany poziom gotowania, ustaw pokrętko stref gotowania na odpowiedni poziom.

6 Jak obsługiwać piekarnik

Ogólne informacje o pieczeniu ciast i mięs oraz o grillowaniu.

OSTRZEŻENIE
Można się poparzyć od gorących powierzchni! Urządzenie to nagrzewa się podczas pracy. Nie dotykaj gorących palników, wewnętrznych sekcji piekarnika, elementów grzejnych itp. Zakaz zbliżania się dzieci!
Do wkładania i wyjmowania potraw z gorącego piekarnika zawsze zakładaj odporne na wysokie temperatury rękawice.

ZAGROŻENIE:
Otwierając drzwiczki piekarnika zachowaj ostrożność, bo może ułotnić się z niego para. Taka ulatniająca się para może poparzyć dłonie, twarz i oczy.

Wskazówki do pieczenia ciasta

- Używaj stosownych naczyń metalowych z powłokami nieprzylegającymi, pojemników aluminiowych, lub żaroodpornych form silikonowych.
- Rób najlepszy użytek z miejsca na półce.
- Foremkę do pieczenia stawiaj w środku półki.
- Prze załączeniem piekarnika lub grilla wybierz właściwą pozycję półki. Nie zmieniaj pozycji półki, gdy kuchenka jest gorąca.
- Zamknij drzwiczki piekarnika i nie otwieraj ich.

Wskazówki do pieczenia mięsa

- Przyprawienie całych kurcząt, indyków i dużych porcji mięsa, np. sokiem z cytryny ;in czarnym pieprzem przed pieczeniem podniesie jego wydajność.
- Pieczenia mięsa z kością trwa ok. 15 - 30 minut dłużej niż pieczenie takiego samego kawałka bez kości.
- Na upieczenie jednego centymetra grubości mięsa potrzeba ok. 4 do 5 minut.
- Po zakończeniu pieczenia pozostaw pieczeń w piekarniku na ok. 10 minut. Soki lepiej rozchodzą się po całej pieczeni i nie wyciekają przy jej krojeniu.
- Ryby należy piec na półce środkowej lub dolnej na żaroodpornym talerzu.

Wskazówki do grillowania

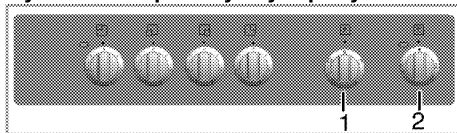
Mięso, ryby i drób szybciej rumienią się, gdy się je grilluje, zachowują miłą kruchość i nie wysychają. Do grillowania szczególnie nadają się płaskie kawałki, nadziane na szpikulec szaszłyki i kiełbaski, a także

warzywa o znacznej zawartości wody, takie jak pomidory i cebule.

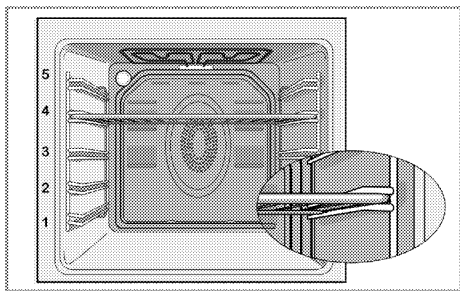
- Rozłóż kawałki mięsa do grillowania na ruszcie drucianym lub w foremce do pieczenia z rusztem drucianym w taki sposób, aby pokryta nimi powierzchnia nie wystawała poza grzałkę.
- Wsuń ten ruszt druciany lub foremkę do pieczenia z rusztem na wybrany poziom w piekarniku. Jeśli grillujesz na ruszcie drucianym, na dolną półkę wsuń foremkę do pieczenia na kąpiący tłuszcz. Aby łatwiej oczyścić to naczynie z tłuszczu wlej do niego trochę wody.

Zagrożenie
Żywność nie nadająca się do grillowania stwarza zagrożenie pożarowe. Do grillowania używaj wyłącznie żywności, która nadaje się do przyrządzania w wysokich temperaturach.
Nie wkładaj żywności do grilla zbyt głęboko. Tam jest najgoręcej i tłusta żywność może się zapalić.

Jak obsługiwać piekarnik elektryczny Wybieranie temperatury i trybu pracy



- 1 Pokrętko wyboru funkcji
 - 2 Pokrętko termostatu
1. Nastaw pokrętko Function [Funkcja] na wybrany tryb pracy.
 2. Nastaw pokrętko Temperature na wybraną temperaturę.
- » Piekarnik nagrzewa się do ustawionej temperatury i utrzymuje ją. W trakcie nagrzewania lampka temperatury pozostaje zapalona.
- Wyłączanie piekarnika elektrycznego**
Przekręć pokrętki funkcji i temperatury w górne pozycje „off” („wył.).
- Pozycje stelażu (modele z rusztem drucianym)**
Ważne jest, aby prawidłowo umieszczać ruszt druciany na półce drucianej. Ruszt druciany trzeba wsadzić pomiędzy półki druciane jak pokazano na rysunku. Ruszt druciany nie może opierać się o tylną ścianę piekarnika. Aby poprawić wydajność grillowania, przesunąć ruszt druciany do przedniej sekcji stelażu i ustalić go przy pomocy drzwiczek.



Tryby pracy

Podana tutaj kolejność trybów pracy może różnić się od ich układu dla tego urządzenia.

Grzałki górna i dolna



Grzałki górna i dolna działają. Żywność nagrzewana jest równocześnie od góry i od dołu. Na przykład, nadaje się do ciasta, ciasteczek oraz ciasta i zapiekanek w foremkach do pieczenia. Piecz w jednej tylko blasze.

Grzałka dolna



Pracuje tylko grzałka dolna. Nie nadaje się do pizzy ani do rumienienie potrawy od spodu po upieczeniu.

Grill



Działa mały grill w suficie piekarnika. Nadaje się do grillowania.

- Do grillowania potóż małe lub średnie porcje na odpowiednio ustawionej półce pod grzałką grilla.
- Temperaturę nastaw na poziom maksymalny.
- Obróć potrawę po upływie połowy czasu grillowania.

Full grill



Działa duży grill w suficie piekarnika. Nadaje się do grillowania dużych ilości mięsa.

- Do grillowania potóż duże lub średnie porcje na odpowiednio ustawionej półce pod grzałką grilla.
- Temperaturę nastaw na poziom maksymalny.
- Obróć potrawę po upływie połowy czasu grillowania.

Tabela czasów pieczenia



Podane w tabeli czasy są tylko orientacyjne. Mogą się różnić, zależnie od rodzaju żywności, grubości, rodzaju i preferencji kulinarnych.

Pieczenie ciast i mięs



Pierwsza półka w piekarniku to półka **dolna**.

Potrawa	Liczba blach		Pozycja półki	Temperatura (°C)	Czas pieczenia (ok., w min.)
**Ciasto w foremce	Jedna blacha		3	175	30 ... 45
**Ciasto w foremce	Jedna blacha		3	175	30 ... 50
**Ciasto w papierze	Jedna blacha		3	160 ... 170	20 ... 30
**Ciasto biszkoptowe	Jedna blacha		3	180 ... 200	10 ... 20
**Ciasteczka	Jedna blacha		3	160 ... 170	20 ... 30
**Ciasto	Jedna blacha		3	200	20 ... 30
**Ciasto zdobne	Jedna blacha		3	190	25 ... 35
**Ciasto na zaczynie	Jedna blacha		3	190	20 ... 40
**Lazania	Jedna blacha		2	180	25 ... 45
**Pizza	Jedna blacha		2	200	15 ... 25
Stek wołowy/ pieczeń wołowa	Jedna blacha		2	25 min. 220, następnie 180 ... 190	80 ... 120
Udziec jagnięcy (zapiekanka)	Jedna blacha		2	25 min. 220, następnie 180 ... 190	70 ... 100
Pieczonę kurczęta	Jedna blacha		2	15 min. 220, następnie 190	55 ... 75
Indyk (w plastrach)	Jedna blacha		2	25 min. 220, następnie 190	70 ... 120
Ryby	Jedna blacha		3	200	20 ... 30

(**) Przy pieczeniu, które wymaga wstępnego podgrzania, podgrzewaj na początku pieczenia, aż zgaśnie lampka termostatu.

Wskazówki do pieczenia ciasta

- Jeśli ciasto jest zbyt suche, zwiększ temperaturę o ok. 10 i skróć czas pieczenia.
- Jeśli ciasto jest wilgotne, użyj mniej płynu lub obniż temperaturę o 10°C.
- Jeśli ciasto jest zbyt ciemne z góry, umieść je na dolnej półce, obniż temperaturę i przedłuż czas pieczenia.
- Jeśli jest dobrze wypieczone wewnątrz, ale klei się na zewnątrz, użyj mniej płynu, obniż temperaturę i przedłuż czas pieczenia.

Wskazówki przy pieczeniu ciasta

- Jeśli ciasto jest zbyt suche, zwiększ temperaturę o ok. 10 i skróć czas pieczenia. Nawilż warstwę ciasta sosem złożonym z mleka, oleju, jajka i jogurtu.
- Jeśli pieczenie ciasta trwa zbyt długo, sprawdź czy grubość przygotowanego ciasta nie przekracza głębokości blachy.
- Jeśli góra ciasta brązowieje, ale dolna część nie jest upieczona, sprawdź, czy na dnie ciasta nie ma zbyt wiele użytego dom pieczenia sosu. Aby ciasto brązowało równomiernie postaraj się rozprowadzić sos równo pomiędzy warstwami i górą ciasta.



Piecz ciasto zgodnie z trybem i temperaturą podanymi w tabeli gotowania. Jeśli dół nadal nie dość się zabarzył, następnym razem umieść ciasto na dolnej półce.

Wskazówki przy gotowaniu jarzyn

- Jeśli potrawa warzywna puszcza soki i zbyt szybko wysycha, gotuj ją w garnku z pokrywką zamiast

blachy. Zamknięte naczynia zatrzymują sok z potrawy.

- Jeśli potrawa warzywna nie uduł się, najpierw ugotuj te warzywa lub przegotuj je jak potrawę z puszką i wsadź do piekarnika.

Jak obsługiwać grill



OSTRZEŻENIE

Zamykaj drzwiczki na czas grillowania. Można się poparzyć od gorących powierzchni!

Załączanie grilla

1. Obróć pokrętko Function [Funkcja] wybranego do symbolu grilla.
2. Następnie nastaw wybraną temperaturę grillowania.
3. W razie potrzeby nagrzewaj grill przez ok. 5 minut.
» Zapali się lampka temperatury.

Wyłączanie grilla

1. Obróć pokrętko Function [Funkcja] do górnej pozycji "Off" ("wyl. ").



Żywność nie nadająca się do grillowania stwarza zagrożenie pożarowe. Do grillowania używaj wyłącznie żywności, która nadaje się do przyrządzania w wysokich temperaturach. Nie wkładaj żywności do grilla zbyt głęboko. Tam jest najgoręcej i tłusta żywność może się zapalić.

Tabela czasów pieczenia przy grillowaniu

Grillowanie na grillu elektrycznym



Potrawa	Poziom	Czas grillowania
Ryby	4...5	20...25 min. #
Sznycle z kurczaka	4...5	25...35 min.
Kotlety jagnięce	4...5	20...25 min.
Pieczeń wołowa	4...5	25...30 min. #
Kotlety cielęce	4...5	25...30 min. #
Opiekanie chleba	4	1...2 min.

zależnie od grubości



7 Czyszczenie i konserwacja

Informacje ogólne

Okres użytkowania tego wyrobu przedłuży się, a problemy stana się rzadsze, jeśli wyrób ten czyszczy się w regularnych odstępach czasu.

	ZAGROŻENIE: Przed konserwacją i czyszczeniem, odłącz piekarnik od sieci. Grozi to porażeniem elektrycznym!
	ZAGROŻENIE: Przed czyszczeniem piekarnika odczekaj, aż ostygnie. Można się poparzyć od gorących powierzchni!

- Po każdym użyciu dokładnie oczyść ten wyrób. Dzięki temu łatwiej będzie usuwać pozostałości pieczenia, unikając tym samym ich zapalenia się na następnym użyciu piekarnika.
- Do jego czyszczenia nie potrzeba żadnych specjalnych środków czyszczących. Wyrób ten czyszczy się miękką ściereczką lub gąbką i ciepłą wodą z mydłem w płynie, i wyciera suchą ściereczką.
- Pamiętaj, aby zawsze starannie wycierać nadmiar płynu po czyszczeniu i natychmiast wycierać wszystko, co się rozleje.
- Do czyszczenia powierzchni i klamki ze stali nierdzewnej nie używaj środków czyszczących zawierających kwas lub chlorek. Części te wyciera się do czysta miękką ściereczką z detergentem w płynie (nie w proszku), najlepiej ruchami w tym samym kierunku.

	Pewne detergenty lub środki czyszczące mogą uszkodzić powierzchnię. Nie używaj agresywnych detergentów, proszku/mleczka do czyszczenia, ani żadnych ostrych przedmiotów.
	Do czyszczenia tego urządzenia nie używaj urządzeń parowych, ponieważ może to spowodować porażenie prądem.

Oczyszczenie płyty


Powierzchnie szklano-ceramiczne

Przetrzyj powierzchnie ceramiczne ściereczką zamoczoną w zimnej wodzie w taki sposób, aby nie pozostały na nich resztki środka czyszczącego. Wytrzyj je do sucha miękką i suchą ściereczką. Pozostawione resztki mogą spowodować uszkodzenie powierzchni szklano-ceramicznej przy ponownym użyciu płyty.

Zaschłych na powierzchni szklano-ceramicznej resztek w żadnym razie nie należy skrobać żyletką, wełną żelazną, ani podobnymi narzędziami.

Plamy wapienne (żółte) usuwa się niewielką ilością środka do czyszczenia z wapienia, np. octu lub soku z cytryny. Można także użyć odpowiednich środków dostępnych na rynku.

Jeśli powierzchnia jest bardzo zabrudzona, zamocz gąbkę w środku czyszczącym i odczekaj, aż nim nasiąknie. Następnie oczyść powierzchnię płyty wilgotną ściereczką.

	Plamy z potraw o znacznej zawartości cukru, np. gęstego kremu lub syropu, trzeba oczyścić bezzwłocznie, nie czekając aż zabrudzona powierzchnia ostygnie. W przeciwnym razie szklano-ceramiczna powierzchnia może ulec trwałemu uszkodzeniu.
---	--

Z czasem kolor powłok i innych powierzchni może z lekka blaknąć. Nie wpływa to na działanie kuchenki. Blednięcie koloru i plamy na powierzchni szklano-ceramicznej to zjawiska normalne, a nie defekt.

Czyszczenie panelu sterowania


Panel sterowania i pokręta czyści się wilgotną ściereczką i wyciera do sucha.

	Nie zdejmuj przycisków/pokręteł do czyszczenia panelu sterowania. Możesz uszkodzić panel sterowania!
---	---

Czyszczenie piekarnika

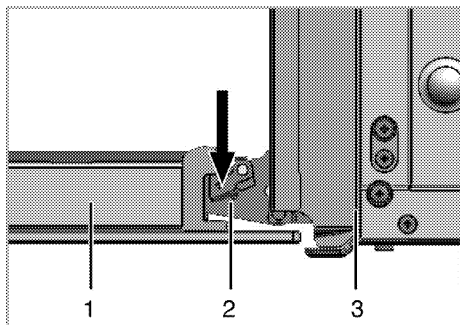
Czyszczenie drzwiczek piekarnika

Drzwiczki piekarnika czyści się miękką ściereczką lub gąbką i ciepłą wodą z mydłem w płynie, i wyciera suchą ściereczką.

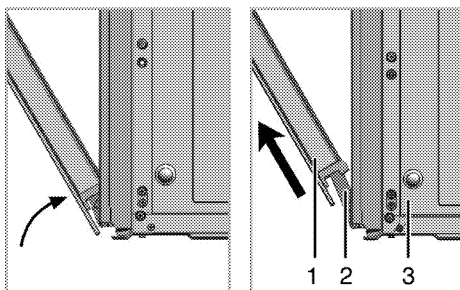
	Do czyszczenia drzwiczek piekarnika nie używaj żadnych szorstkich środków czyszczących ani skrobaczek metalowych. Mogą porysować powierzchnię i zniszczyć szybę.
---	---

Przenoszenie drzwiczek piekarnika.

1. Otwórz drzwiczki przednie (1).
2. Otwórz zacisk w obudowie zawiasu (2) po prawej i lewej stronach drzwiczek przednich przyciskając je ku dołowi, jak pokazano na rysunku.



- 1 Drzwiczki przednie
- 2 Zawias
- 3 Piekarnik



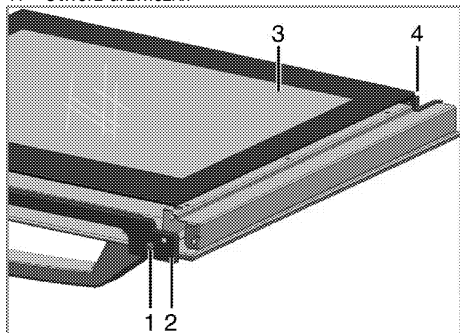
3. Przesuń drzwiczki przednie w pół drogi.
4. Zdejmij drzwiczki przednie ciągnąc je ku górze aby uwolnić je z prawych i lewych zawiasów.

i Kroki procesu wyjmowaniu drzwiczek powtarza się w odwrotnej kolejności przy ich zakładaniu. Przy zakładaniu drzwi z powrotem nie zapomnij zamknąć zacisk w obudowie zawiasu.

Wymywanie szyby w drzwiczkach

Szklaną szybę z drzwiczek piekarnika można wyjąć do czyszczenia.

1. Otwórz drzwiczki.



- 1 Śrubka

- 2 Profil
 - 3 Szyba wewnętrzna
 - 4 Szczelina plastikowa
2. Wkrętakiem wykręć śrubę (1)
 3. Zdejmij profil (2), następnie przytrzymaj szybę wewnętrzną (3).
 4. Następnie złoź elementy drzwi, wsuń szybę (3) w plastikowe szczeliny (4) i załóż profil.

Wymiana lampki w piekarniku



ZAGROŻENIE:

Aby uniknąć zagrożenia porażeniem elektrycznym, zanim wymienisz lampkę upewnij się, że piekarnik jest odłączony od sieci zasilającej i że ostygł. Można się poparzyć od gorących powierzchni!



Lampka w piekarniku to specjalna żarówka odporna na temperatury do 300 °C. Patrz *Dane techniczne, strona 11*, w których podano szczegóły. Lampki do piekarnika można nabyć u autoryzowanego przedstawiciela serwisu.



Lampka może być umieszczona gdzie indziej niż na rysunku.



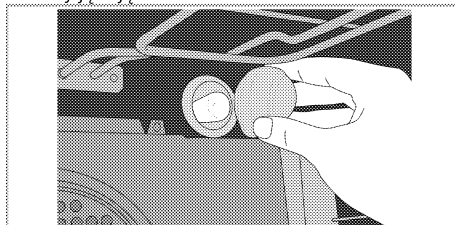
Żarówka używana w tym urządzeniu nie jest odpowiednia do oświetlania pomieszczeń domowych. Zgodnie z przeznaczeniem żarówka ta służy do oświetlania żywności.



Żarówki używane w tym urządzeniu muszą wytrzymać ekstremalne warunki fizyczne, jak temperatury powyżej 50°C.

Jeśli w piekarniku jest lampka okrągła:

1. Odłącz piekarnik od sieci zasilającej.
2. Odkręć szklaną pokrywę, przekręcając ją w lewo, aby ją zdjąć.



3. Wyjmij lampkę z piekarnika przekręcając ją w lewo i wymień ją na nową.
4. Załóż szklaną pokrywę.

8 Rozwiązywanie problemów

W czasie pracy piekarnik wydziela parę.

- Ulatnianie się pary w trakcie pracy jest normalnym zjawiskiem. >>> *To nie jest awaria.*

Przy nagrzewaniu i studzeniu urządzenia słychać metaliczne odgłosy.

- Podgrzewane części metalowe mogą się rozszerzać i wydawać dźwięki. >>> *To nie jest awaria.*

Produkt nie działa.

- Bezpiecznik uszkodzony lub zadziałał. >>> *Sprawdź bezpieczniki w skrzynce bezpiecznikowej. W razie potrzeby wymień je lub załącz.*
- Piekarnik nie jest przyłączony do (uziemionego) gniazdka. >>> *Sprawdź kontakt wtyczki.*

Nie świeci lampka w piekarniku.

- Lampka w piekarniku jest uszkodzona. >>> *Wymień lampkę w piekarniku.*
- Brak zasilania. >>> *Sprawdź, czy jest prąd. Sprawdź bezpiecznik w skrzynce bezpiecznikowej. W razie potrzeby wymień je lub załącz.*

Pieczyk nie grzeje.

- Pokrętko funkcji i/lub temperatury nie są ustawione >>> *Ustaw funkcję i temperaturę pokrętkami/klawiszami funkcji i/lub temperatury.*
- Brak zasilania. >>> *Sprawdź, czy jest prąd. Sprawdź bezpiecznik w skrzynce bezpiecznikowej. W razie potrzeby wymień je lub załącz.*



Jeśli pomimo postępowania według instrukcji z tego rozdziału problem pozostaje, skonsultuj się z autoryzowanym agentem serwisowym lub sprzedawcą piekarnika. Nie próbuj samemu naprawiać zepsutego piekarnika.

**BEKO SA, Ul. Puławska 366,
02-819 Warszawa, www.beko.pl**

INFOLINIA 222 50 14 14



Podpis i pieczęć instalatora (z numerem uprawnienia) w przypadku montażu urządzeń gazowych lub płyt i piekarników elektrycznych

Aby otrzymać więcej informacji dotyczących serwisu np. gdzie kupić części zamienne lub akcesoria należy odwiedzić stronę internetową www.beko.pl i wybrać zakładkę serwis.

Proszę zarejestrować swoje urządzenie na www.beko.pl, a otrzymasz dodatkowe korzyści (szczegóły na stronie internetowej)

WARUNKI GWARANCJI BEKO S.A.

BEKO spółka akcyjna z siedzibą w Warszawie (02-819), przy ulicy Puławska 366, wpisana do rejestru przedsiębiorców prowadzonego przez Sąd Rejonowy dla m.st. Warszawy w Warszawie, XIII Wydział Gospodarczy Krajowego Rejestru Sądowego, pod numerem: 0000078147 (dalej: „**BEKO**”) udziela gwarancji jakości (dalej: „**Gwarancja**”) na wprowadzone przez BEKO do obrotu na terenie Polski produkty marki BEKO (dalej: „**Urządzenia**”) osobom, które nabyły te produkty („**Użytkownik**”) na następujących warunkach:

I. ZAKRES OCHRONY.

1. BEKO gwarantuje, że Urządzenie zakupione przez Użytkownika jest wolne od wad produkcyjnych lub materiałowych, powstałych z przyczyn tkwiących w tym Urządzeniu (dalej: „**Wada**”), które ujawnią się w ciągu terminu określonego w części II. niniejszych Warunków Gwarancji (dalej: „**Okres Gwarancyjny**”).
2. W razie ujawnienia się Wady Produktu w trakcie Okresu Gwarancyjnego, zostanie ona usunięta na koszt BEKO w sposób uzależniony od właściwości wady, na zasadach i w zakresie określonym w niniejszych Warunkach Gwarancji.
3. BEKO zobowiązuje się do usunięcia Wady poprzez dokonanie nieodpłatnej naprawy lub wymiany Urządzenia, bądź też reklamacja zgłoszona na podstawie niniejszych Warunków Gwarancji zostanie rozpoznana w inny sposób uzgodniony przez BEKO i Użytkownika.
4. Udzielona gwarancja jest ważna na terytorium **Rzeczypospolitej Polskiej**.

II. CZAS TRWANIA GWARANCJI.

1. Okres Gwarancyjny wynosi **24 miesiące** licząc od daty zakupu Urządzenia przez pierwszego Użytkownika, z zastrzeżeniem wynikającym z punktu 2 poniżej.
2. Udzielona gwarancja nie obejmuje Urządzeń zakupionych później niż 36 miesięcy licząc od daty produkcji Urządzenia zgodnie z numerem seryjnym znajdującym się na tabliczce znamionowej Urządzenia.
- 3.

III. PROCEDURA ZGŁOSZENIA REKLAMACYJNEGO.

1. Wady Urządzenia ujawnione w Okresie Gwarancyjnym będą usuwane pod warunkiem przedstawienia przez Użytkownika dowodu zakupu tego Urządzenia zawierającego oznaczenia niezbędne do jego identyfikacji (model, datę zakupu).
2. W przypadku zgłoszenia wad Urządzeń, które wymagają fachowej instalacji do sieci elektrycznej lub gazowej (t.j.: kuchnie, płyty grzewcze i piekarniki elektryczne), realizacja uprawnień z Gwarancji

uzależniona jest od przedstawienia przez Użytkownika dowodu, na którym widnieją dane instalatora oraz jego numer uprawnień elektrycznych lub gazowych.

3. Uprawnienia wynikające z niniejszych Warunków Gwarancji mogą być zrealizowane przez Użytkownika wyłącznie w Autoryzowanych Punktach Serwisowych BEKO (dalej: „**Serwis**”) po uprzednim dokonaniu zgłoszenia na infolinii BEKO pod numerem telefonu: 222 50 14 14. Lista wszystkich lokalizacji Serwisu dostępna jest na stronie internetowej BEKO www.beko.pl
4. Urządzenie do zabudowy meblowej powinno być udostępnione do naprawy przez Użytkownika lub Sprzedawcę w sposób umożliwiający przystąpienie do jego naprawy przez pracowników Serwisu Beko.
5. Wady Urządzenia będą usunięte w terminie 21 dni od daty zgłoszenia Wady na Infolinii BEKO.
6. Jeżeli część zamienna wymieniana w ramach uprawnień wynikających z niniejszych Warunków Gwarancji Urządzenia jest sprowadzana z zagranicy, termin naprawy, o którym mowa w punkcie 5 powyżej, może ulec wydłużeniu jednak, nie więcej niż do 30 dni licząc odpowiednio od daty zgłoszenia Wady na infolinii BEKO. BEKO zastrzega, że w wyjątkowych przypadkach, gdy Wada nie wpływa na funkcjonowanie Urządzenia, dopuszczalne jest przekroczenie terminu 30 dni opisanego w zdaniu poprzedzającym, jednak nie więcej niż o 30 kolejnych dni. O każdorazowym przekroczeniu terminu usunięcia Wady ponad terminy określone w punkcie 5 powyżej, Użytkownik zostanie poinformowany przez BEKO.
7. Po usunięciu Wady, Urządzenie zostanie dostarczone Użytkownikowi na koszt BEKO.

IV. WYŁĄCZENIA.

1. Warunkiem skorzystania z niniejszych Warunków Gwarancji jest:
 - a. użytkowanie Urządzenia zgodnie z Instrukcją Obsługi dołączoną do tego Urządzenia i jego przeznaczeniem, jak również odpowiednia konserwacja Urządzenia;
 - b. użytkowanie w warunkach indywidualnego gospodarstwa domowego;
 - c. stosowanie osprzętu zalecanego przez producenta;
 - d. brak ingerencji w Urządzenie przez osoby do tego nieupoważnione;
 - e. brak ingerencji w tabliczkę znamionową z numerem seryjnym Urządzenia.
2. Udzielona przez Beko Gwarancja nie obejmuje:
 - a. wad powstałych z przyczyn innych niż tkwiące w Urządzeniu;
 - b. czynności przewidzianych w Instrukcji Obsługi, do wykonania których zobowiązany jest Użytkownik Urządzenia we własnym zakresie i na swój koszt, w tym: instalacja i regulacja urządzenia gazowego (w tym ustawienia płomienia oszczędnościowego palników, wymiana dysz itp.);
 - c. usterek powstałych w wyniku nieprawidłowego lub niewłaściwego użytkowania, niedbalstwa, przypadkowego uszkodzenia Urządzenia, nieodpowiedniego napięcia prądu lub dokonania jakichkolwiek zmian, które mają wpływ na niewłaściwe działanie Urządzenia, i które naprawiane były przez osoby nieupoważnione, używania instalacji niezgodnych z odpowiednimi Polskimi Normami i innych niż wymienione w Instrukcji Obsługi Urządzenia;
 - d. uszkodzeń mechanicznych, termicznych, chemicznych, korozji, innych uszkodzeń spowodowanych działaniem lub zaniedbaniem Użytkownika lub powstałych na skutek działania sił zewnętrznych (do których zalicza się w szczególności wyładowania atmosferyczne, skoki napięcia, wszystkiego rodzaju awarie domowej instalacji wodno-kanalizacyjnej, itp.), a także powstałych na skutek przedostania się zanieczyszczeń lub ciał obcych do Urządzenia.
 - e. elementów ze szkła oraz plastiku;
 - f. odbarwień Urządzenia lub poszczególnych jego części;
 - g. usterek powstałych w wyniku niewłaściwego montażu Urządzenia w zabudowie meblowej, niezgodnego z Instrukcją Obsługi Urządzenia lub innymi wytycznymi dotyczącymi montażu sprzętu w zabudowie meblowej określonymi przez Producenta;
 - h. usterek powstałych na skutek przechowywania i użytkowania Urządzenia w warunkach, które są niezgodne z normalnymi warunkami domowymi określonymi wymaganiami powszechnie obowiązujących przepisów prawa i odpowiednich Polskich Norm.

V. POZOSTAŁE POSTANOWIENIA.

Niniejsze warunki gwarancji mają zastosowanie do Urządzeń zakupionych od dnia 25.12.2014 r. oświadcza, że niniejsza Gwarancja jest udzielana Użytkownikowi dodatkowo i nie wyłącza, nie ogranicza ani nie zawieszają uprawnień Użytkownika wynikających z przepisów o rękojmi za wadliwą rzecz sprzedaną na podstawie Kodeksu cywilnego.

Gwarant
dy

